



AEROGRAMMI S.A.
DESIGN AND MANUFACTURE OF GRILLES AND SPECIAL AIR CONDITINING COMPONENTS



ROUND CEILING DIFFUSER

RF





RF

Round ceiling diffuser for supply or extract air with concentric round curved blades (anemostat). Made by aluminium painted electrostatically in RAL color. Secret fixing with screws in the neck of the diffuser. The air is supplied in the same way to all directions (360o). For use in cooling cases or in heating if the installation height is small.

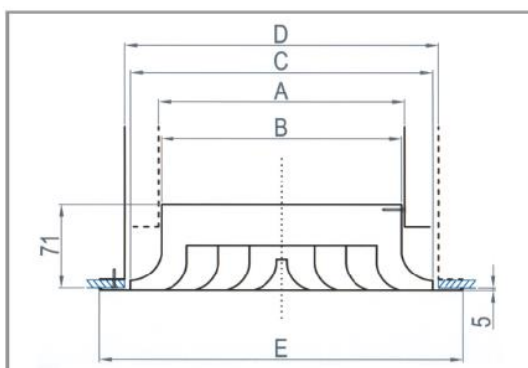
Also is available in the following executions:

- **RF-A:** Fixing with visible screws in the front frame.
- **RF-D:** With butterfly type damper.
- **RF-A-D:** Fixing with visible screws in the front frame and butterfly type damper.
- **RF-V:** With blades in "V" shape.
- **RF-A-V:** Fixing with visible screws in the front frame and blades in "V" shape.
- **RF-D-V:** With butterfly type damper and blades in "V" shape.
- **RF-A-D-V:** Fixing with visible screws in the front frame, butterfly type damper and blades in "V" shape.
- **RF-S:** Secret fixing with central screw.
- **RF-D-S:** Secret fixing with central screw and butterfly type damper.
- **RF-SPR:** Installed in metal plate with external dimensions 595X595mm painted in the same RAL color with the diffuser.
- **RF-D-SPR:** With butterfly type damper and Installed in metal plate with external dimensions 595X595mm painted in the same RAL color with the diffuser.

DIMENSION TABLES

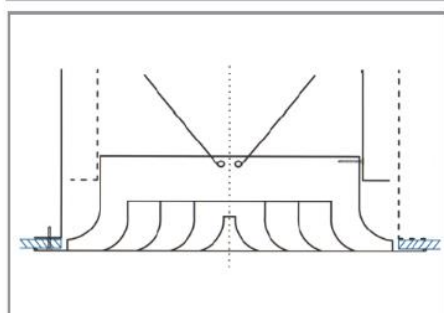
RF

ΔΙΑΣΤΑΣΕΙΣ / DIMENSIONS

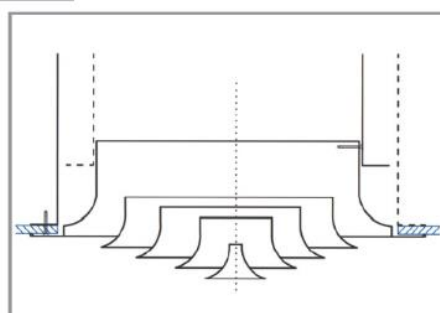


ΜΕΓΕΘΟΣ / SIZE	A	B	C	D	E
150	150	145	200	205	262
200	200	195	250	255	305
250	250	245	300	305	360
300	300	295	350	355	410
350	350	345	400	405	460
400	400	395	450	455	510
450	450	445	500	505	560
500	500	495	553	558	622

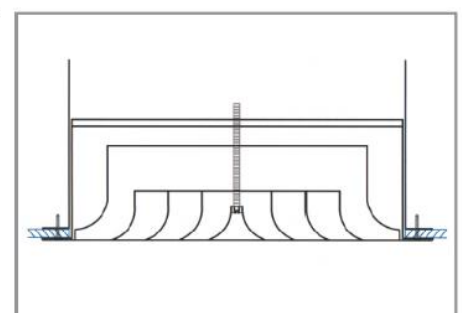
RF



RF-D



RF-V



RF-S



TECHNICAL DATA

DIAGRAM-1: Air velocity (m/sec) in the RF diffuser in relation with airflow (Q)

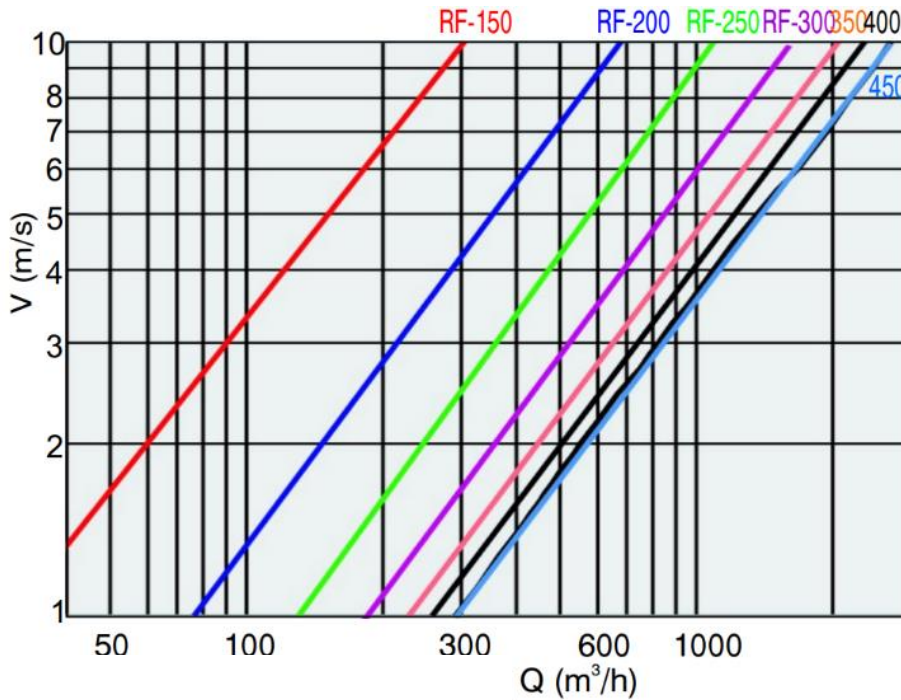
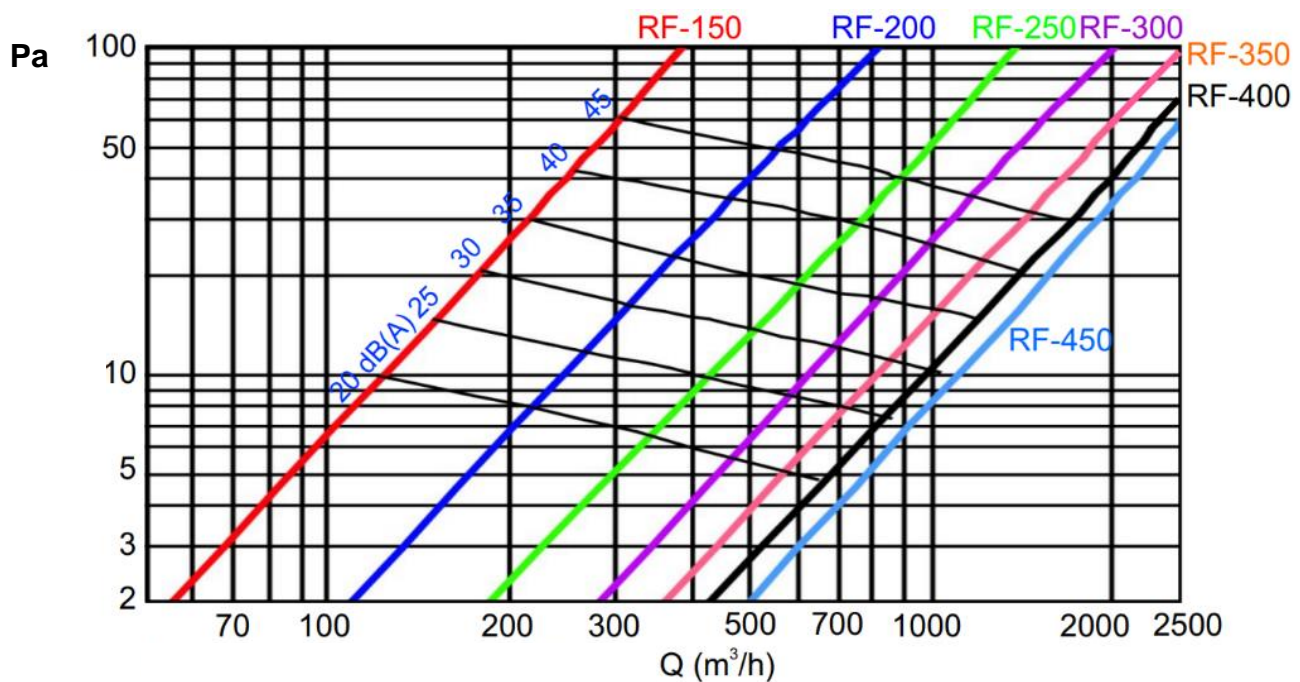


DIAGRAM-2: Noise (dB(A)) and pressure drop (Pa) in relation with airflow (Q)



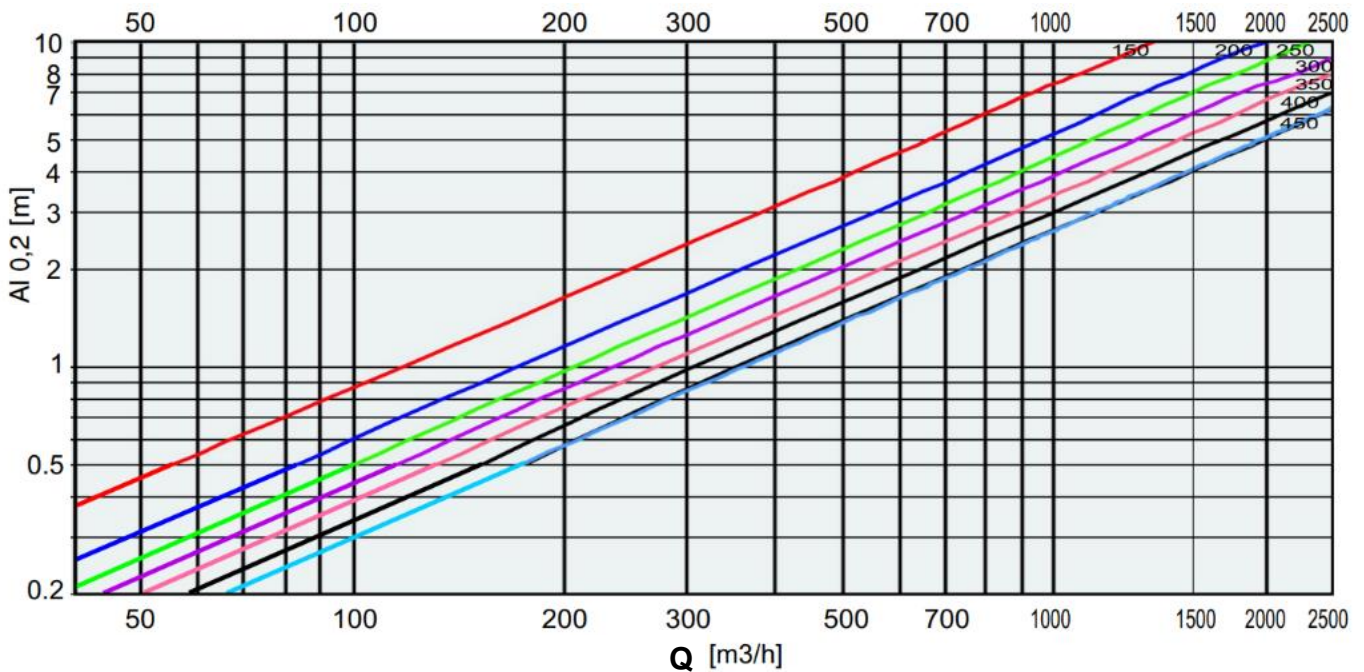


AEROGRAMMI S.A.

DESIGN AND MANUFACTURE OF GRILLES AND SPECIAL AIR CONDITING COMPONENTS

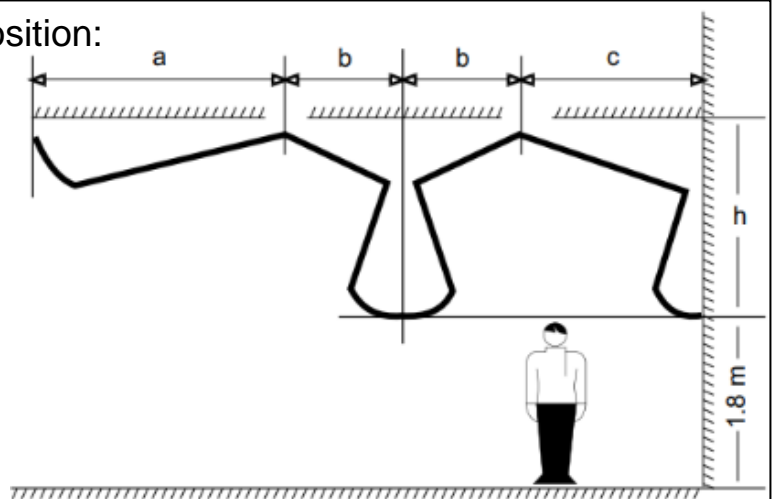


DIAGRAM-3: Air throw AI 0,2(m) (for 0,2m/sec terminal velocity) for two neighbouring RF diffusers



According to the RF diffuser position:

$AI_{0,2}=a$
or
 $AI_{0,2}=b+h$
or
 $AI_{0,2}=c+h$



RF-SPR

Proektasi Makriyianni str.
Thessaloniki - GREECE
P.O. BOX 236 P.C. 570 13
T. +30 2310 68 25 72
F. +30 2310 68 50 47

E. info@aerogrammi.gr
www.aerogrammi.gr

