

AAVC/N 500 T2 1,5kW (std) (502505019)

GENERAL DATA



HIGH PRESSURE WITH BACKWARD IMPELLER

MANUFACTURING FEATURES:

- Fan made of Fe360 sheet. The fan paint finish is based on a Qualicoat polyester powder coating stoved at 200°C, with an average film thickness of 70 microns. Average heat resistance of coating is 180°C with peaks of 200°C.
- Fully welded housing.
- High efficiency simple inlet backward impeller with self-cleaning system made of Fe360 sheet statically and dynamically balanced. Impellers are painted with polyester y primer that resists temperatures up to 300°C.
- Standard asynchronous squirrel-cage motor with IP-55 protection and class F insulation. Manufactured with standard voltages: 230/400V 50Hz in three phase motors up to 4kW and 400/690V 50Hz for higher powers. IE4 motors for 75kW power or higher.
- It allows adjusting the orientation locally

- Available positions (to be indicated in case of order): LG270, LG0, LG45, LG90, LG135, LG180, LG225, LG315, RD0, RD45, RD90, RD135, RD180, RD225, RD270, RD315.
- The indicated codes correspond to the model in position LG270

APPLICATIONS:

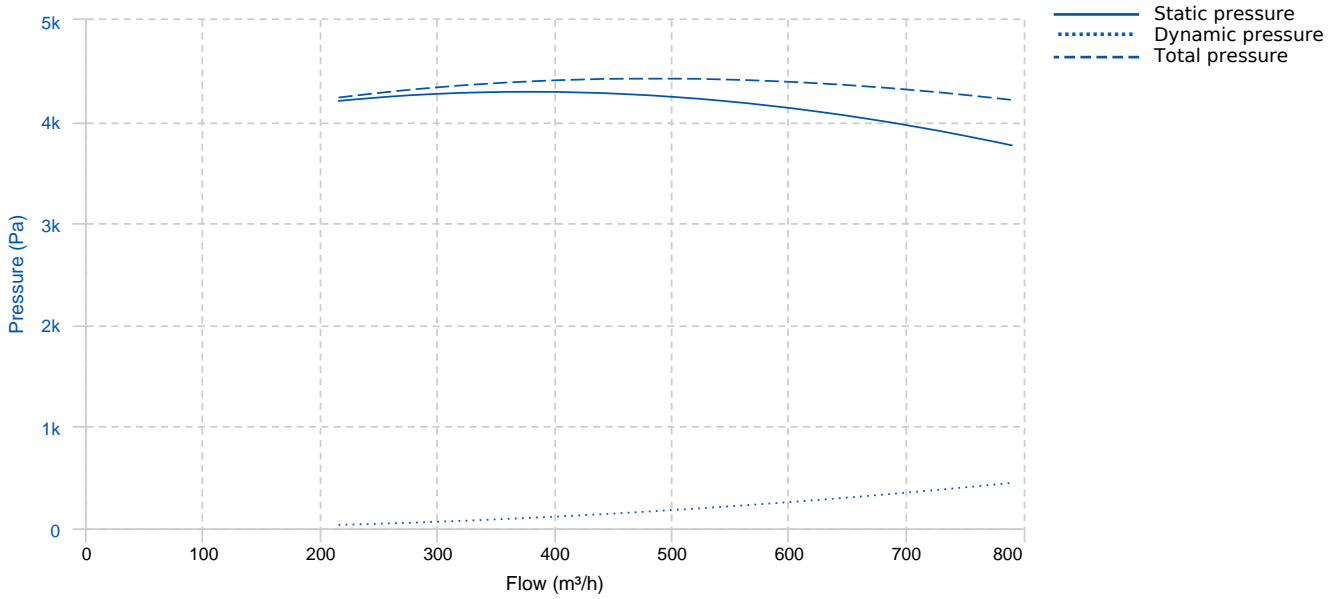
Designed for inline installation, they are suitable for:

- Industrial applications, extraction or injection of air.
- Cooling of machines and parts.
- Clean air transport.
- Exhaust after filters, separators and cyclones.
- Pneumatic transport.
- Maximum working temperature: carried air: 130°C, ambient: 60°C.

UNDER REQUEST

- Fans for 60Hz and special voltages.
- 2 speed motor.
- C4 coating painting
- Hot dip galvanized
- Special steel (Cor-Ten A, Hardox...)
- Inox 304 (normal or electropolished finish)
- Inox 316 (normal or electropolished finish)
- Cooling wheel
- Anticaloric paint
- Reinforced housing
- Fully welded housing (waterproof)
- Insulated housing
- Split casing (for big sizes)
- Inspection door to facilitate maintenance and cleaning
- Drain plug.
- Airtight axle
- Frontal foot
- Double suction flange
- Available in non-sparking air passage and standard motor.
- Other brands of motors.

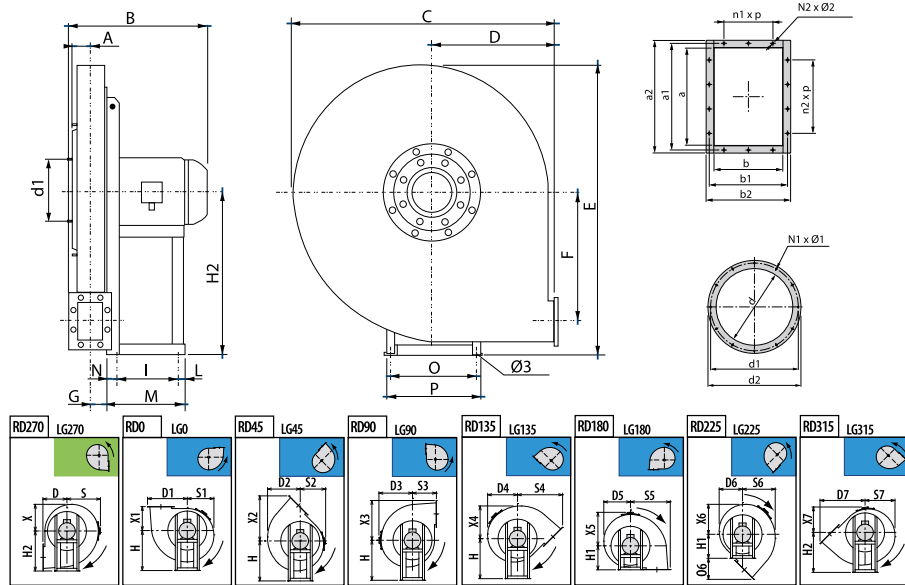
PERFORMANCE CURVE



TECHNICAL DATA

Fan							
RPM	2865	Approx. weight	43 kg	Max. Flow	800 m³/h		
Motor							
Power	1,5 kW	RPM	2865	I max. (230V)	5,83 A	I max. (400V)	3,14 A
Size	90L	Approx. weight	23.5 kg	Efficiency (%)	84.2 %	FP	0.83

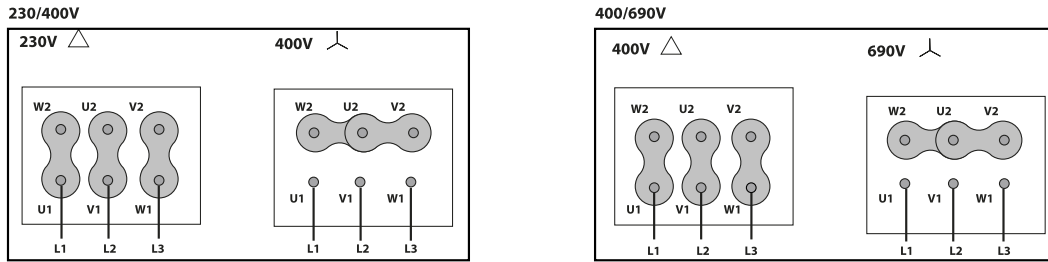
DIMENSIONS



Dimensions (mm)

A	45	B	391	C	745	D	335	D1	430
D2	386	D3	410	D4	370	D5	346	D6	350
D7	541	E	796	F	347	G	42	H	450
H1	450	H2	450	I	133	L	58	M	246
N	55	N1 x Ø1	Nº8 M6x20	N2 x Ø2	4x10	O	234	O6	206
P	260	S	410	S1	346	S2	350	S3	335
S4	541	S5	430	S6	386	S7	370	X	335
X1	335	X2	541	X3	430	X4	386	X5	410
X6	370	X7	350	a	105	a1	139	a2	165
b	76	b1	110	b2	136	d	145	d1	182
d2	215	n1 x p	-	n2 x p	-	Ø3	10		

WIRING DIAGRAM



ACCESSORIES



SAFETY SWITCH
INT 25 3P A
REF: INT253PA



ANTI-VIBRATING FLANGE 400^º/2H
BA-400 15/16
REF: 960002067



ANTI-VIBRATION JOINT
JE 45
REF: 300719201



CONECTION FLANGE
AC 150
REF: 960003204



INLET PROTECTION GUARD FOR CENTRIFUGAL FANS
RA 145x8
REF: A-510001400



OUTLET PROTECTION GUARD FOR FANS
RI 105x76
REF: A-510101000



CIRCULAR OUTLET CONNECTION FLANGE
EI 105x76-150
REF: 510201000



FRONTAL FEET SUPORT
FS 500
REF: *GH-FS500



FREQUENCY SPEED CONTROLLER
SFC 230 I 7A *
REF: SFC230I007



FREQUENCY SPEED CONTROLLER
SFC 400 III 3,6A *
REF: SFC400III4



ANTI-VIBRATION RUBBER BLOCK
AVR (GENERIC)



ANTI-VIBRATION SPRING BLOCK
AVS (GENERIC)



ACOUSTIC CABINS FOR CENTRIFUGAL FANS
AB (GENERIC)

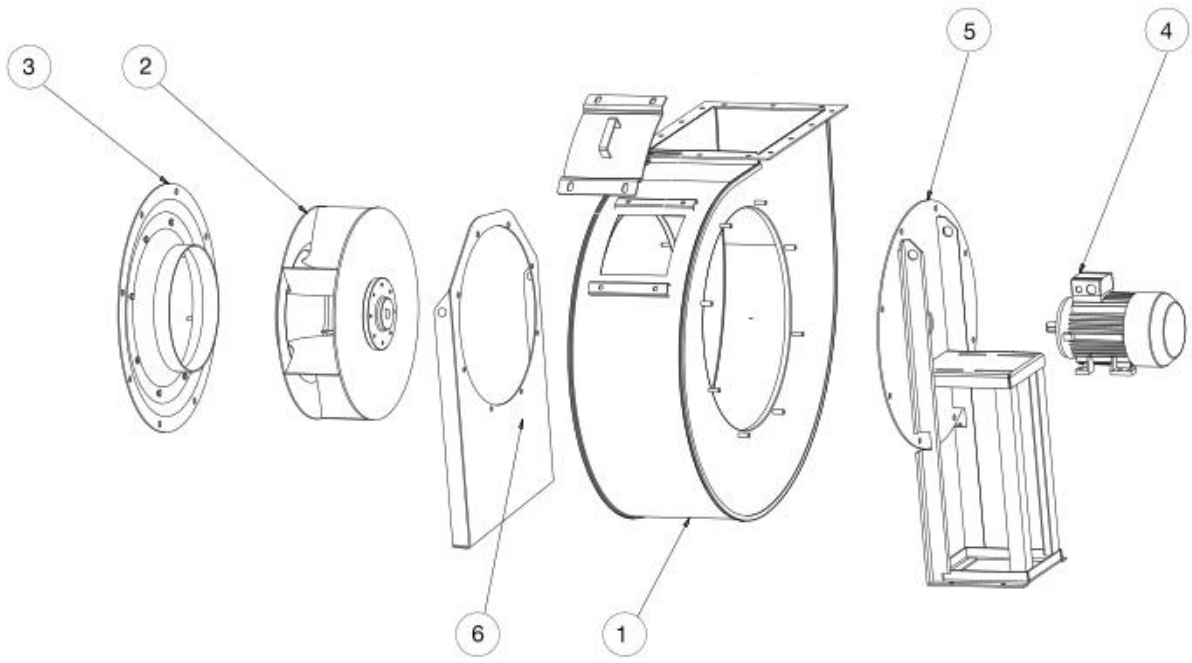


CIRCULAR-CIRCULAR ANTI-VIBRATION FLANGE FOR STORM
BADS 145-8
REF: BADS145-8



**RECTANGULAR-RECTANGULAR ANTI-VIBRATION
FLANGE FOR STORM
BIDS 76x105-200
REF: BIDS-7105**

SPARE PARTS



	Code	Model	Qty
2	T02505019	TURBINE AAVC/N 500 T2 1,5kW LG	x1
3	505205000SP04	INLET CONE AAVC-AATVC 500	x1
4	721001047	MOTOR 1,5KW T2 B5 230/400V	x1