

AAVC/N 560 T2 2,2kW (std) (502505627)

GENERAL DATA



HIGH PRESSURE WITH BACKWARD IMPELLER

MANUFACTURING FEATURES:

- Fan made of Fe360 sheet. The fan paint finish is based on a Qualicoat polyester powder coating stoved at 200°C, with an average film thickness of 70 microns. Average heat resistance of coating is 180°C with peaks of 200°C.
- Fully welded housing.
- High efficiency simple inlet backward impeller with self-cleaning system made of Fe360 sheet statically and dynamically balanced. Impellers are painted with polyester y primer that resists temperatures up to 300°C.
- Standard asynchronous squirrel-cage motor with IP-55 protection and class F insulation. Manufactured with standard voltages: 230/400V 50Hz in three phase motors up to 4kW and 400/690V 50Hz for higher powers. IE4 motors for 75kW power or higher.
- It allows adjusting the orientation locally

- Available positions (to be indicated in case of order): LG270, LG0, LG45, LG90, LG135, LG180, LG225, LG315, RD0, RD45, RD90, RD135, RD180, RD225, RD270, RD315.
- The indicated codes correspond to the model in position LG270

APPLICATIONS:

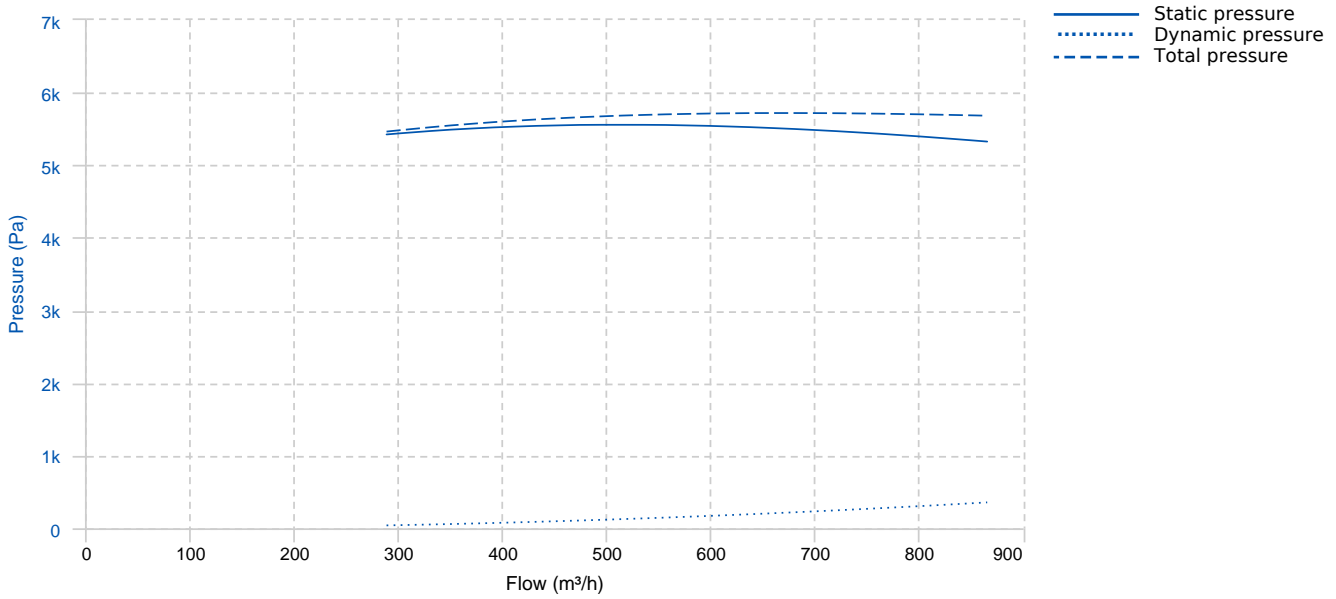
Designed for inline installation, they are suitable for:

- Industrial applications, extraction or injection of air.
- Cooling of machines and parts.
- Clean air transport.
- Exhaust after filters, separators and cyclones.
- Pneumatic transport.
- Maximum working temperature: carried air: 130°C, ambient: 60°C.

UNDER REQUEST

- Fans for 60Hz and special voltages.
- 2 speed motor.
- C4 coating painting
- Hot dip galvanized
- Special steel (Cor-Ten A, Hardox...)
- Inox 304 (normal or electropolished finish)
- Inox 316 (normal or electropolished finish)
- Cooling wheel
- Anticaloric paint
- Reinforced housing
- Fully welded housing (waterproof)
- Insulated housing
- Split casing (for big sizes)
- Inspection door to facilitate maintenance and cleaning
- Drain plug.
- Airtight axle
- Frontal foot
- Double suction flange
- Available in non-sparking air passage and standard motor.
- Other brands of motors.

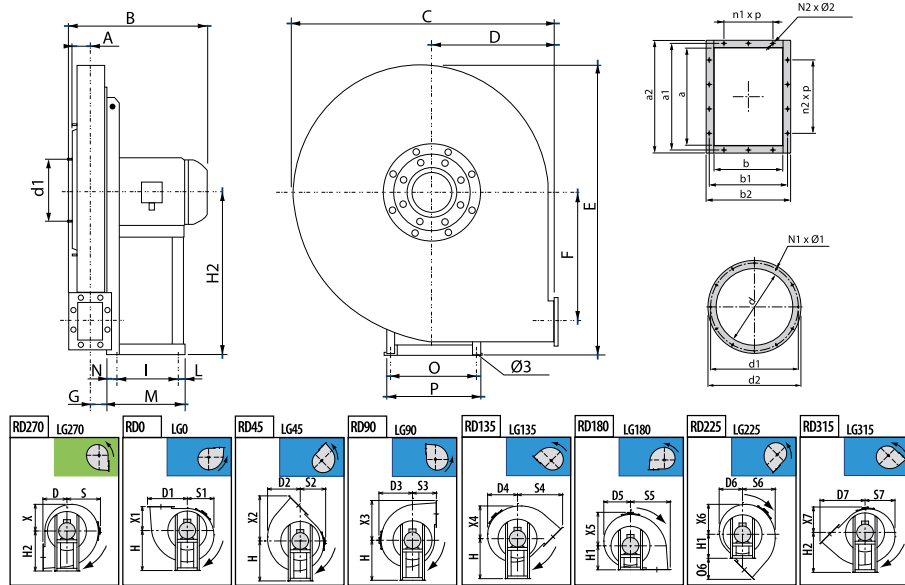
PERFORMANCE CURVE



TECHNICAL DATA

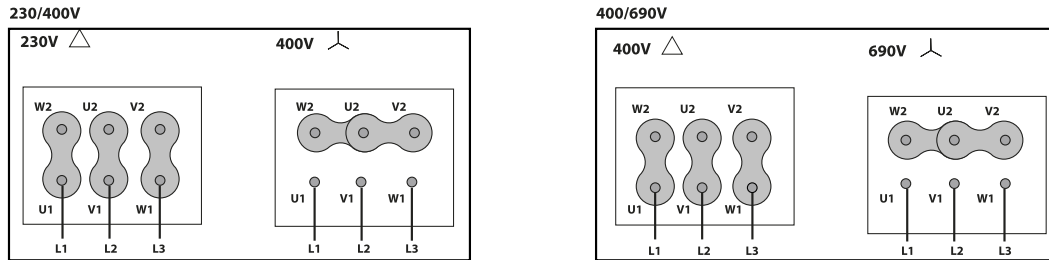
Fan							
RPM	2840	Approx. weight	69 kg	Max. Flow	870 m³/h		
Motor							
Power	2,2 kW	RPM	2840	I max. (230V)	7,97 A	I max. (400V)	4,58 A
Size	90L	Approx. weight	25 kg	Efficiency (%)	85.9 %	FP	0.83

DIMENSIONS



Dimensions (mm)									
A	50	B	401	C	835	D	375	D1	482
D2	438	D3	460	D4	418	D5	391	D6	392
D7	606	E	891	F	393	G	48	H	500
H1	500	H2	500	I	133	L	58	M	246
N	55	N1 x Ø1	Nº8 M6x20	N2 x Ø2	4x10	O	234	O6	231
P	260	S	460	S1	391	S2	392	S3	375
S4	606	S5	482	S6	438	S7	418	X	391
X1	375	X2	606	X3	482	X4	438	X5	460
X6	418	X7	392	a	117	a1	151	a2	177
b	85	b1	119	b2	145	d	165	d1	200
d2	235	n1 x p	-	n2 x p	-	Ø3	10		

WIRING DIAGRAM



ACCESSORIES



SAFETY SWITCH
INT 25 3P A
REF: INT253PA



ANTI-VIBRATING FLANGE 400^o/2H
BA-400 20
REF: 960002066



ANTI-VIBRATION JOINT
JE 45
REF: 300719201



CONNECTION FLANGE
AC 175
REF: 960003205



INLET PROTECTION GUARD FOR CENTRIFUGAL FANS
RA 165x8
REF: A-510001600



OUTLET PROTECTION GUARD FOR FANS
RI 117x85
REF: A-510101100



CIRCULAR OUTLET CONNECTION FLANGE
EI 117x85-175
REF: 510201100



FRONTAL FEET SUPORT
FS 560
REF: *GH-FS560



FREQUENCY SPEED CONTROLLER
SFC 230 I 10A *
REF: SFC230I0010



FREQUENCY SPEED CONTROLLER
SFC 400 III 5A *
REF: SFC400III5



ANTI-VIBRATION RUBBER BLOCK
AVR (GENERIC)



ANTI-VIBRATION SPRING BLOCK
AVS (GENERIC)



ACOUSTIC CABINS FOR CENTRIFUGAL FANS
AB (GENERIC)

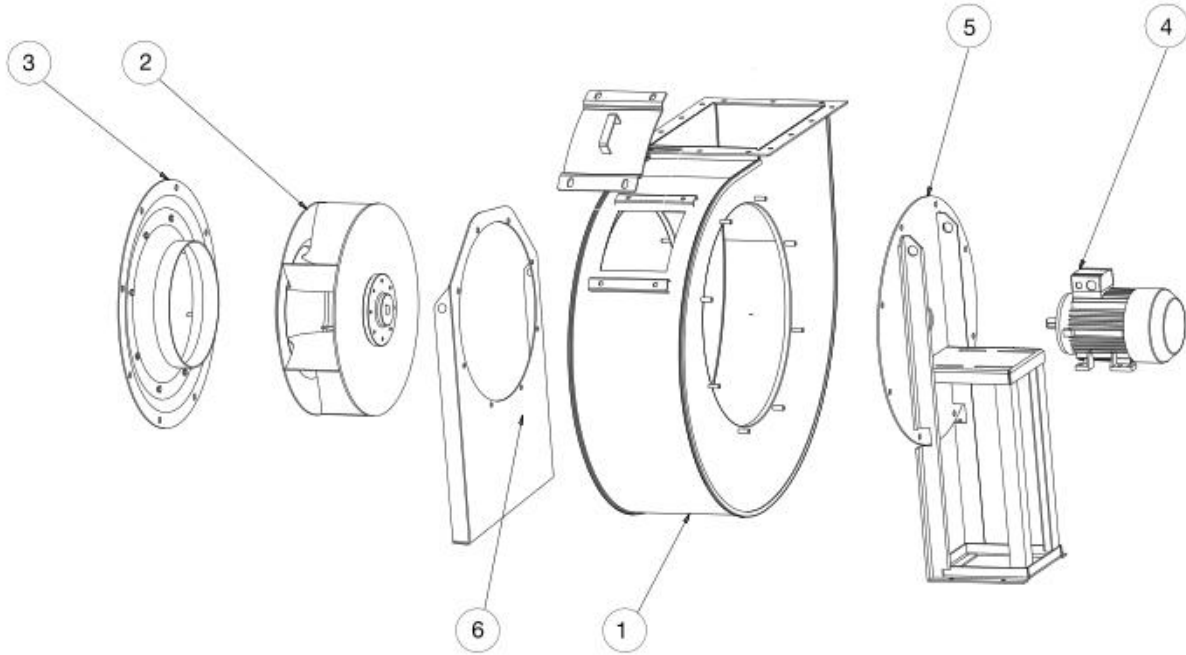


CIRCULAR-CIRCULAR ANTI-VIBRATION FLANGE FOR STORM
BADS 165-8
REF: BADS165-8



**RECTANGULAR-RECTANGULAR ANTI-VIBRATION
FLANGE FOR STORM
BIDS 85x117-200
REF: BIDS-8117**

SPARE PARTS



	Code	Model	Qty
2	T02505627	TURBINE AAVC/N 560 T2 2,2kW LG	x1
3	505205600SP04	INLET CONE AAVC-AATVC 560	x1
4	721001053	MOTOR 2,2kW T2 B3 230/400V	x1