

AAVC/N 630 T2 4kW (std) (502506332)

GENERAL DATA



HIGH PRESSURE WITH BACKWARD IMPELLER

MANUFACTURING FEATURES:

- Fan made of Fe360 sheet. The fan paint finish is based on a Qualicoat polyester powder coating stoved at 200°C, with an average film thickness of 70 microns. Average heat resistance of coating is 180°C with peaks of 200°C.
- Fully welded housing.
- High efficiency simple inlet backward impeller with self-cleaning system made of Fe360 sheet statically and dynamically balanced. Impellers are painted with polyester y primer that resists temperatures up to 300°C.
- Standard asynchronous squirrel-cage motor with IP-55 protection and class F insulation. Manufactured with standard voltages: 230/400V 50Hz in three phase motors up to 4kW and 400/690V 50Hz for higher powers. IE4 motors for 75kW power or higher.
- It allows adjusting the orientation locally

- Available positions (to be indicated in case of order): LG270, LG0, LG45, LG90, LG135, LG180, LG225, LG315, RD0, RD45, RD90, RD135, RD180, RD225, RD270, RD315.
- The indicated codes correspond to the model in position LG270

APPLICATIONS:

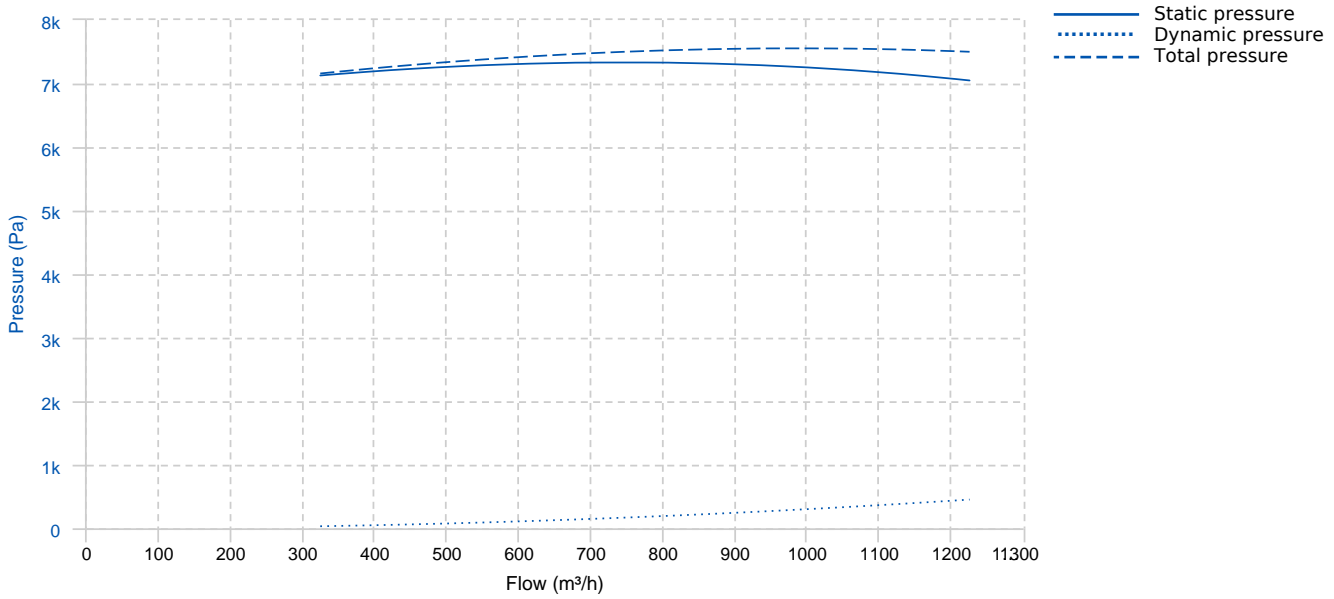
Designed for inline installation, they are suitable for:

- Industrial applications, extraction or injection of air.
- Cooling of machines and parts.
- Clean air transport.
- Exhaust after filters, separators and cyclones.
- Pneumatic transport.
- Maximum working temperature: carried air: 130°C, ambient: 60°C.

UNDER REQUEST

- Fans for 60Hz and special voltages.
- 2 speed motor.
- C4 coating painting
- Hot dip galvanized
- Special steel (Cor-Ten A, Hardox...)
- Inox 304 (normal or electropolished finish)
- Inox 316 (normal or electropolished finish)
- Cooling wheel
- Anticaloric paint
- Reinforced housing
- Fully welded housing (waterproof)
- Insulated housing
- Split casing (for big sizes)
- Inspection door to facilitate maintenance and cleaning
- Drain plug.
- Airtight axle
- Frontal foot
- Double suction flange
- Available in non-sparking air passage and standard motor.
- Other brands of motors.

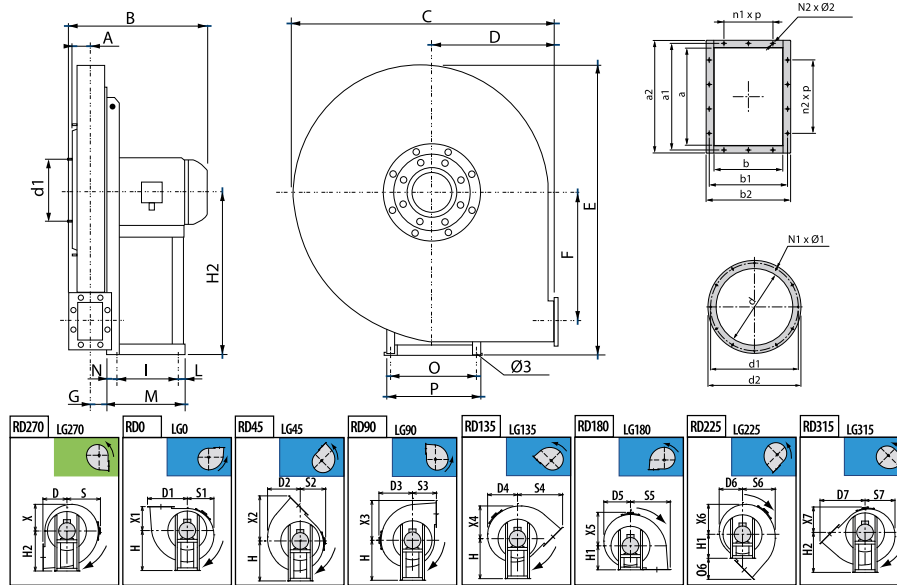
PERFORMANCE CURVE



TECHNICAL DATA

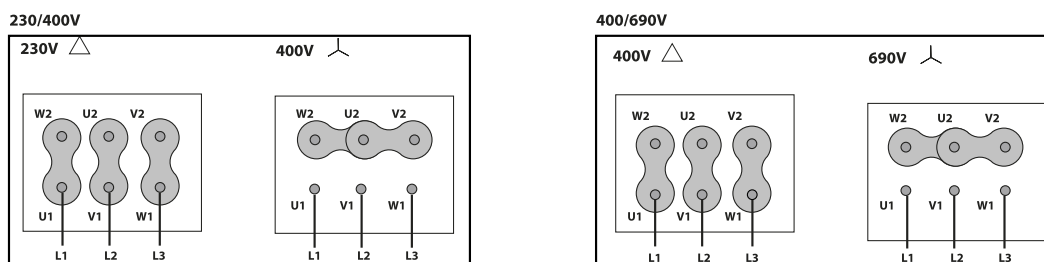
Fan							
RPM	2880	Approx. weight	133 kg	Max. Flow	1230 m³/h		
Motor							
Power	4 kW	RPM	2880	I max. (230V)	13,3 A	I max. (400V)	7,63 A
Size	112M	Approx. weight	43.5 kg	Efficiency (%)	88.1 %	FP	0.88

DIMENSIONS



Dimensions (mm)									
A	58	B	463	C	940	D	425	D1	539
D2	493	D3	515	D4	472	D5	441	D6	438
D7	681	E	1001	F	443	G	53	H	560
H1	560	H2	560	I	197	L	49	M	276
N	30	N1 x Ø1	Nº8 M6x20	N2 x Ø2	6x10	O	289	O6	256
P	324	S	515	S1	441	S2	438	S3	425
S4	681	S5	539	S6	493	S7	472	X	441
X1	425	X2	681	X3	539	X4	493	X5	515
X6	472	X7	438	a	131	a1	165	a2	191
b	95	b1	129	b2	155	d	185	d1	219
d2	250	n1 x p	-	n2 x p	1x100	Ø3	12		

WIRING DIAGRAM



ACCESSORIES



SAFETY SWITCH
INT 25 3P A
REF: INT253PA



ANTI-VIBRATION JOINT
JE 45
REF: 300719201



INLET PROTECTION GUARD FOR CENTRIFUGAL FANS
RA 185x8
REF: A-510001800



CIRCULAR OUTLET CONNECTION FLANGE
EI 131x95-200
REF: 510201300



FREQUENCY SPEED CONTROLLER
SFC 400 III 8A *
REF: SFC400III8



ANTI-VIBRATION SPRING BLOCK
AVS (GENERIC)



CIRCULAR-CIRCULAR ANTI-VIBRATION FLANGE FOR STORM
BADS 185-8
REF: BADS185-8



ANTI-VIBRATING FLANGE 400°/2H
BA-400 20
REF: 960002066



CONNECTION FLANGE
AC 200
REF: 960003206



OUTLET PROTECTION GUARD FOR FANS
RI 131x95
REF: A-510101300



FRONTAL FEET SUPORT
FS 630
REF: *GH-FS630



ANTI-VIBRATION RUBBER BLOCK
AVR (GENERIC)

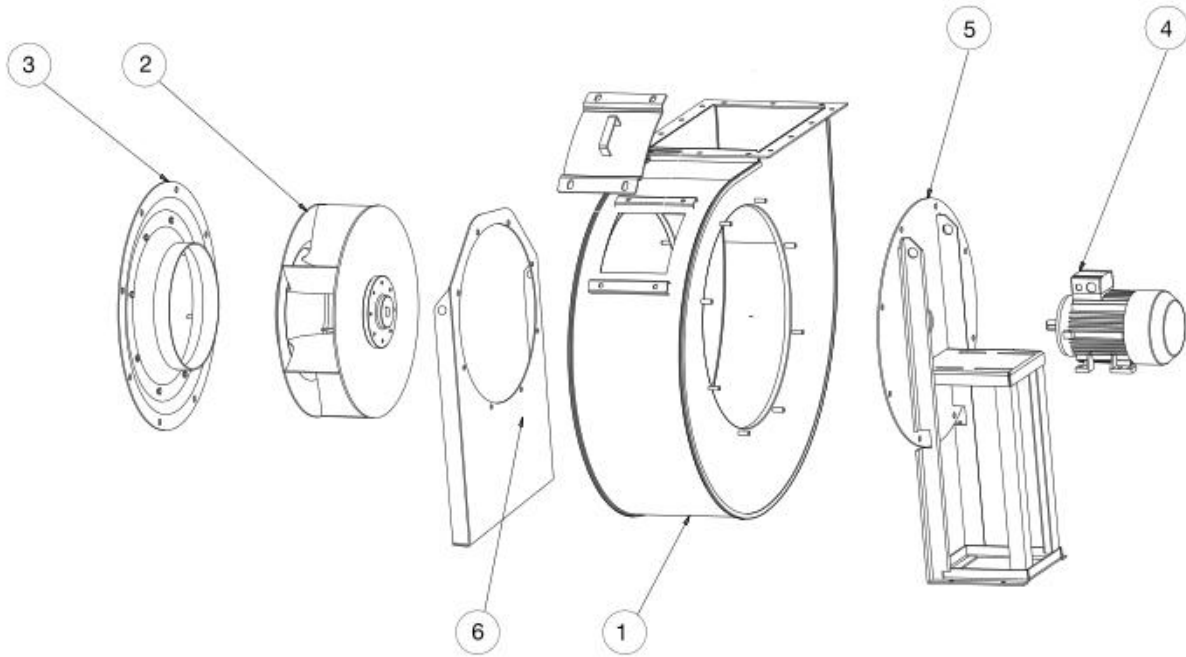


ACOUSTIC CABINS FOR CENTRIFUGAL FANS
AB (GENERIC)



RECTANGULAR-RECTANGULAR ANTI-VIBRATION FLANGE FOR STORM
BIDS 95x131-200
REF: BIDS-9131

SPARE PARTS



	Code	Model	Qty
2	T02506332	TURBINE AAVC/N 630 T2 4kW LG	x1
3	505206300SP04	INLET CONE AAVC-AATVC 630	x1
4	721001065	MOTOR 4KW T2 B3 230/400V	x1