

AAVM/N 350 T2 1,1kW (std) (502803518)

GENERAL DATA



HIGH PRESSURE WITH BACKWARD IMPELLER

MANUFACTURING FEATURES:

- Fan made of Fe360 sheet. The fan paint finish is based on a Qualicoat polyester powder coating stoved at 200°C, with an average film thickness of 70 microns. Average heat resistance of coating is 180°C with peaks of 200°C.
- Fully welded housing.
- High efficiency simple inlet backward impeller with self-cleaning system made of Fe360 sheet statically and dynamically balanced. Impellers are painted with polyester primer that resists temperatures up to 300°C.
- Standard asynchronous squirrel-cage motor with IP-55 protection and class F insulation. Manufactured with standard voltages: 230/400V 50Hz in three phase motors up to 4kW and 400/690V 50Hz for higher powers. IE4 motors for 75kW power or higher.
- It allows adjusting the orientation locally from models 350 to 630. Models sizes from 710 to 1000 size the orientation is fixed.
- Available positions (to be indicated in case of order): LG270, LG0, LG45, LG90, LG135, LG180, LG225, LG315, RD0, RD45, RD90, RD135, RD180, RD225, RD270, RD315.
- The indicated codes correspond to the model in position LG270

APPLICATIONS:

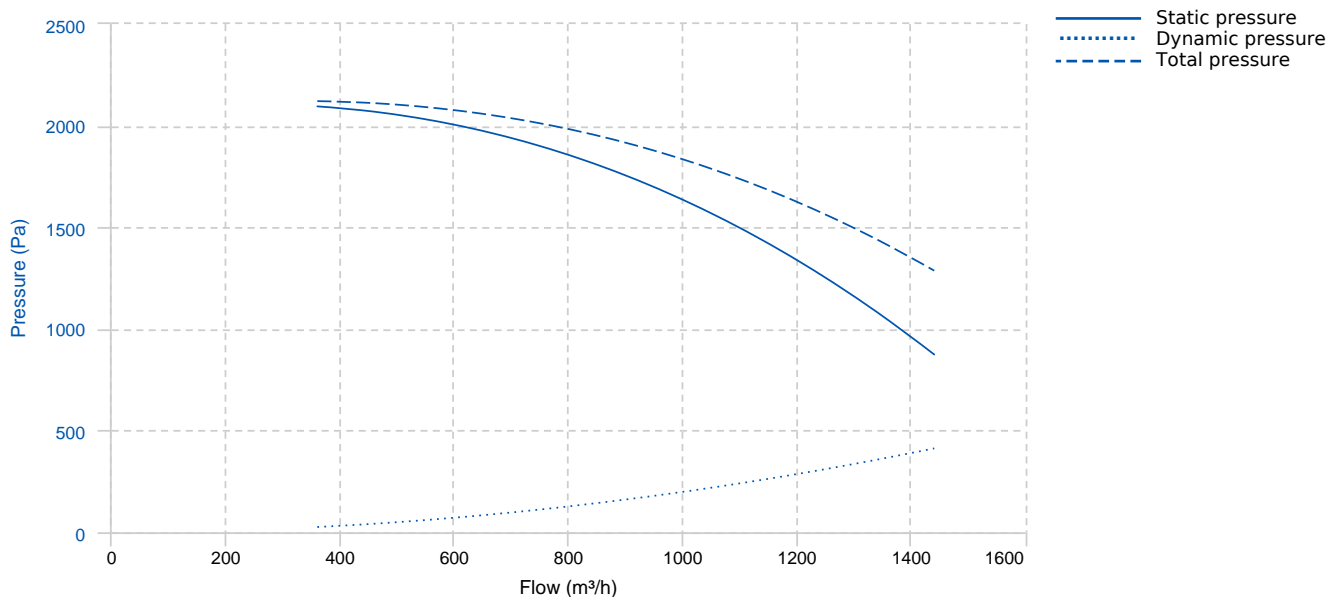
Designed for inline installation, they are suitable for:

- Industrial applications, extraction or injection of air.
- Cooling of machines and parts.
- Clean and slightly dusty air transport.
- Exhaust after filters, separators and cyclones.
- Pneumatic transport.
- Maximum working temperature: carried air: 130°C, ambient: 60°C.

UNDER REQUEST

- Fans for 60Hz and special voltages.
- 2 speed motor.
- C4 coating painting
- Hot dip galvanized
- Special steel (Cor-Ten A, Hardox...)
- Inox 304 (normal or electropolished finish)
- Inox 316 (normal or electropolished finish)
- Cooling wheel
- Anticaloric paint
- Reinforced housing
- Fully welded housing (waterproof)
- Insulated housing
- Split casing (for big sizes)
- Inspection door to facilitate maintenance and cleaning
- Drain plug.
- Airtight axle
- Frontal foot
- Double suction flange
- Available in non-sparking air passage and standard motor.
- Other brands of motors.

PERFORMANCE CURVE

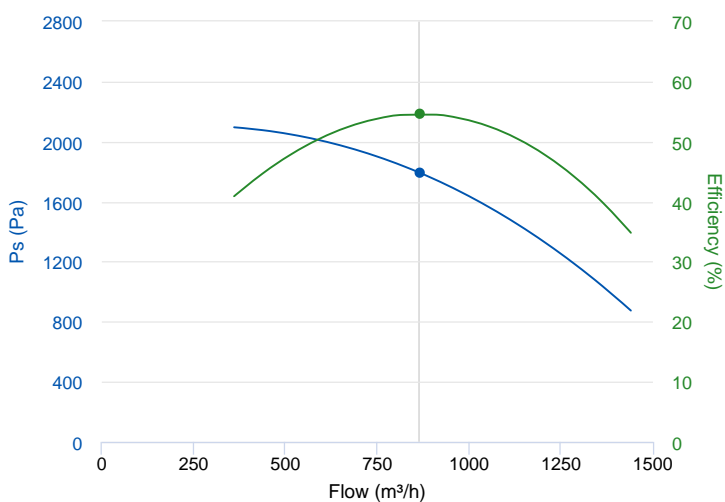


TECHNICAL DATA

Fan							
RPM	2800	Approx. weight	36 kg	Max. Flow	1450 m³/h		
Motor							
Power	1,1 kW	RPM	2800	I max. (230V)	4,05 A	I max. (400V)	2,33 A
Size	80	Approx. weight	16 kg	Efficiency (%)	82.7 %	FP	0.85

ERP DATA

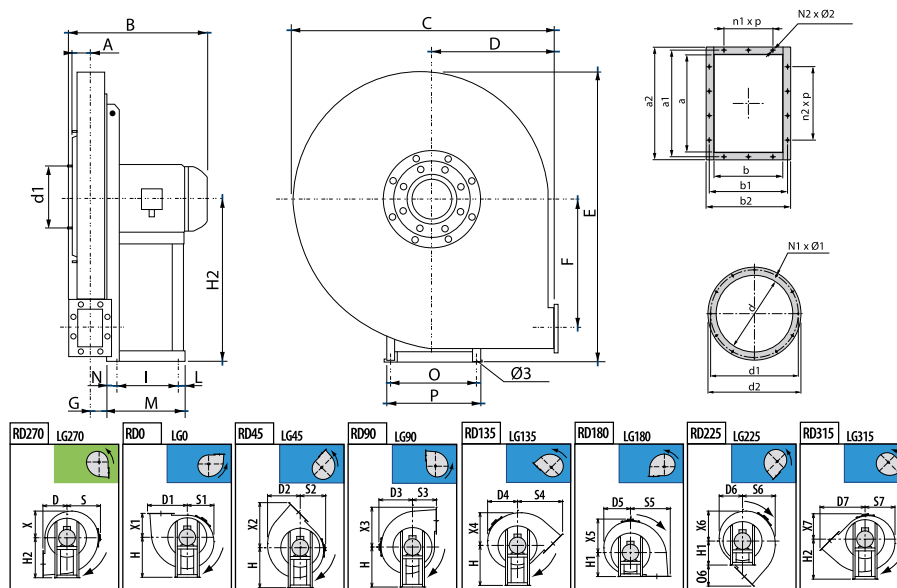
Fan data sheet		
Fan type	Centrifugal fan backward blades with casing	
Installation category	A: Outlet and Inlet free discharge	
Efficiency category	Static	
The fan has to be installed with VF	No	
Motor power (kW)	1.1	
	Fan values	ERP Requirements 2015
Max. efficiency (%)	54.55	49.44
Efficiency grade (N)	66.11	61
Pabs (kW)	0.792	
Flow (m³/h)	865.73	
Static pressure (Pa)	1792.28	
Speed (m/s)	2800	



Fan values	ERP Requirements 2015
------------	-----------------------

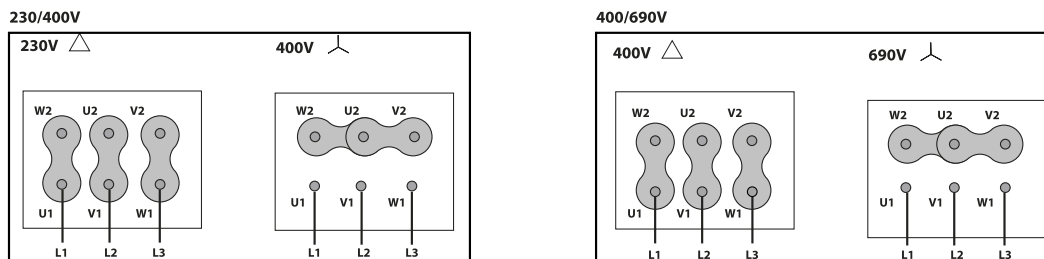
Specific ratio	1.00
----------------	------

DIMENSIONS



Dimensions (mm)									
A	65	B	377	C	565	D	250	D1	323
D2	287	D3	315	D4	280	D5	262	D6	272
D7	405	E	617	F	215	G	56	H	355
H1	250	H2	355	I	121	L	45	M	211
N	45	N1xØ1	Nº8 M6x20	N2xØ2	6x12	O	203	O6	155
P	225	S	315	S1	262	S2	272	S3	250
S4	405	S5	323	S6	287	S7	280	X	262
X1	250	X2	405	X3	323	X4	287	X5	315
X6	280	X7	272	a	146	a1	182	a2	216
b	105	b1	139	b2	175	d	185	d1	219
d2	250	n1xp	-	n2xp	1x112	Ø3	10		

WIRING DIAGRAM



ACCESSORIES



SAFETY SWITCH
INT 25 3P A
REF: INT253PA



ANTI-VIBRATION JOINT
JE 45
REF: 300719201



INLET PROTECTION GUARD FOR CENTRIFUGAL FANS
RA 185x8
REF: 510001800



CIRCULAR OUTLET CONNECTION FLANGE
EI 146x105-200
REF: 510201400



FREQUENCY SPEED CONTROLLER
SFC 230 I 4,2A *
REF: SFC230I004



ANTI-VIBRATION RUBBER BLOCK
AVR (GENERIC)



ACOUSTIC CABINS FOR CENTRIFUGAL FANS
AB (GENERIC)



ANTI-VIBRATING FLANGE 400^o/2H
BA-400 20
REF: 960002066



CONNECTION FLANGE
AC 200
REF: 960003206



OUTLET PROTECTION GUARD FOR FANS
RI 146x105
REF: 510101400



FRONTAL FEET SUPORT
FS 350
REF: *GH-FS350



FREQUENCY SPEED CONTROLLER
SFC 400 III 3,6A *
REF: SFC400III4



ANTI-VIBRATION SPRING BLOCK
AVS (GENERIC)

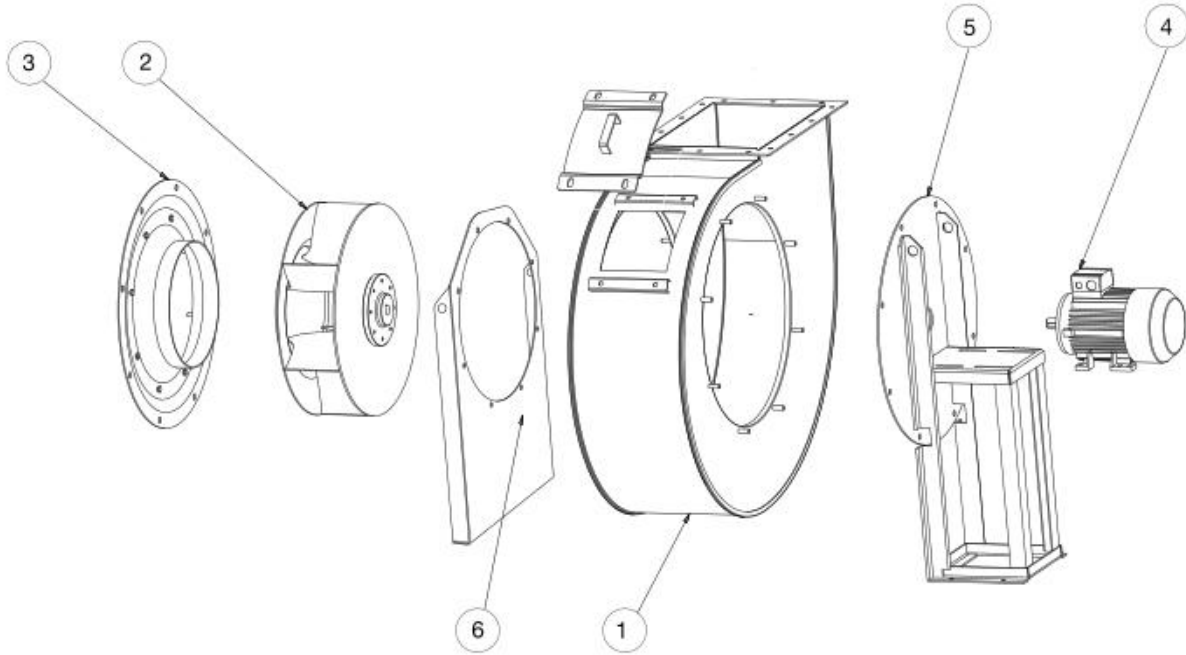


CIRCULAR-CIRCULAR ANTI-VIBRATION FLANGE FOR STORM
BADS 185-8
REF: BADS185-8



**RECTANGULAR-RECTANGULAR ANTI-VIBRATION
FLANGE FOR STORM
BIDS 105x146-200
REF: BIDS-10146**

SPARE PARTS



	Code	Model	Qty
2	T02803518	TURBINE AAVM/N 350 T2 1,1kW LG	x1
3	505103500SP04	INLET CONE AAVM-AATVM 350	x1
4	721001041	MOTOR 1,1KW T2 B5 230/400V	x1