

AAVM/N 400 T2 2,2kW (std) (502804027)

GENERAL DATA



HIGH PRESSURE WITH BACKWARD IMPELLER

MANUFACTURING FEATURES:

- Fan made of Fe360 sheet. The fan paint finish is based on a Qualicoat polyester powder coating stoved at 200°C, with an average film thickness of 70 microns. Average heat resistance of coating is 180°C with peaks of 200°C.
- Fully welded housing.
- High efficiency simple inlet backward impeller with self-cleaning system made of Fe360 sheet statically and dynamically balanced. Impellers are painted with polyester primer that resists temperatures up to 300°C.
- Standard asynchronous squirrel-cage motor with IP-55 protection and class F insulation. Manufactured with standard voltages: 230/400V 50Hz in three phase motors up to 4kW and 400/690V 50Hz for higher powers. IE4 motors for 75kW power or higher.
- It allows adjusting the orientation locally from models 350 to 630. Models sizes from 710 to 1000 size the orientation is fixed.
- Available positions (to be indicated in case of order): LG270, LG0, LG45, LG90, LG135, LG180, LG225, LG315, RD0, RD45, RD90, RD135, RD180, RD225, RD270, RD315.
- The indicated codes correspond to the model in position LG270

APPLICATIONS:

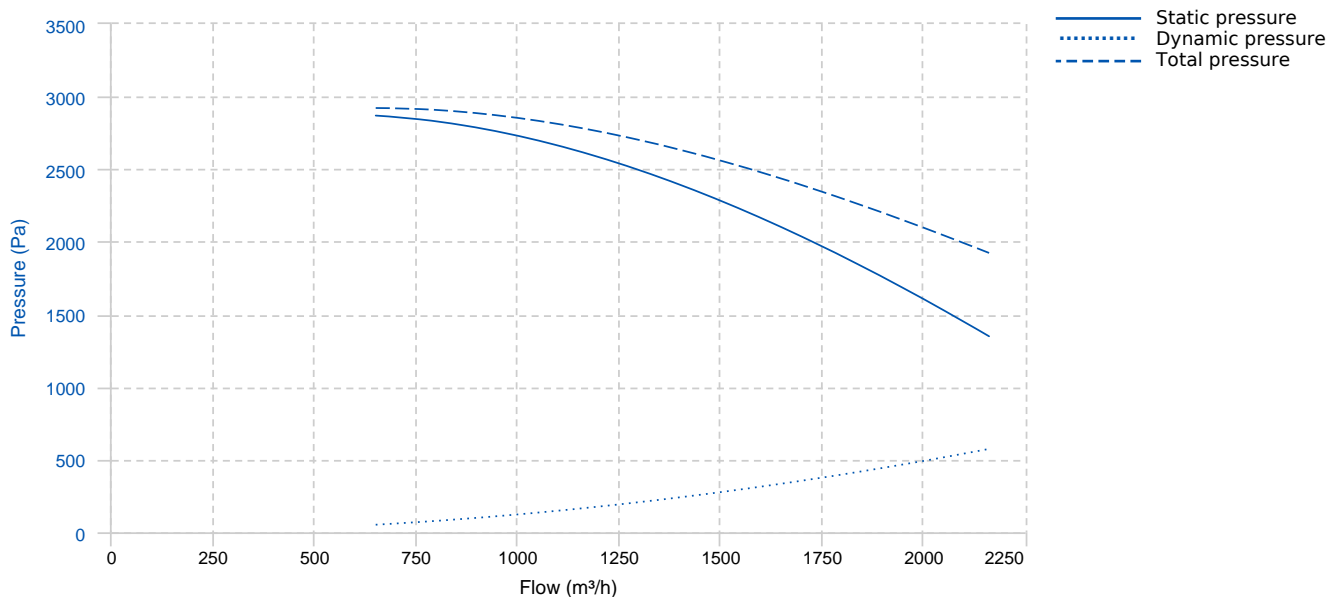
Designed for inline installation, they are suitable for:

- Industrial applications, extraction or injection of air.
- Cooling of machines and parts.
- Clean and slightly dusty air transport.
- Exhaust after filters, separators and cyclones.
- Pneumatic transport.
- Maximum working temperature: carried air: 130°C, ambient: 60°C.

UNDER REQUEST

- Fans for 60Hz and special voltages.
- 2 speed motor.
- C4 coating painting
- Hot dip galvanized
- Special steel (Cor-Ten A, Hardox...)
- Inox 304 (normal or electropolished finish)
- Inox 316 (normal or electropolished finish)
- Cooling wheel
- Anticaloric paint
- Reinforced housing
- Fully welded housing (waterproof)
- Insulated housing
- Split casing (for big sizes)
- Inspection door to facilitate maintenance and cleaning
- Drain plug.
- Airtight axle
- Frontal foot
- Double suction flange
- Available in non-sparking air passage and standard motor.
- Other brands of motors.

PERFORMANCE CURVE

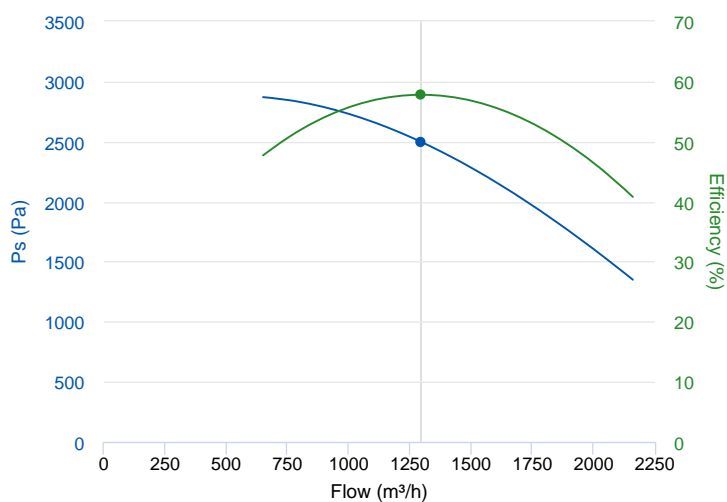


TECHNICAL DATA

Fan							
RPM	2840	Approx. weight	50 kg	Max. Flow	2170 m³/h		
Motor							
Power	2,2 kW	RPM	2840	I max. (230V)	7,97 A	I max. (400V)	4,58 A
Size	90L	Approx. weight	25 kg	Efficiency (%)	85.9 %	FP	0.83

ERP DATA

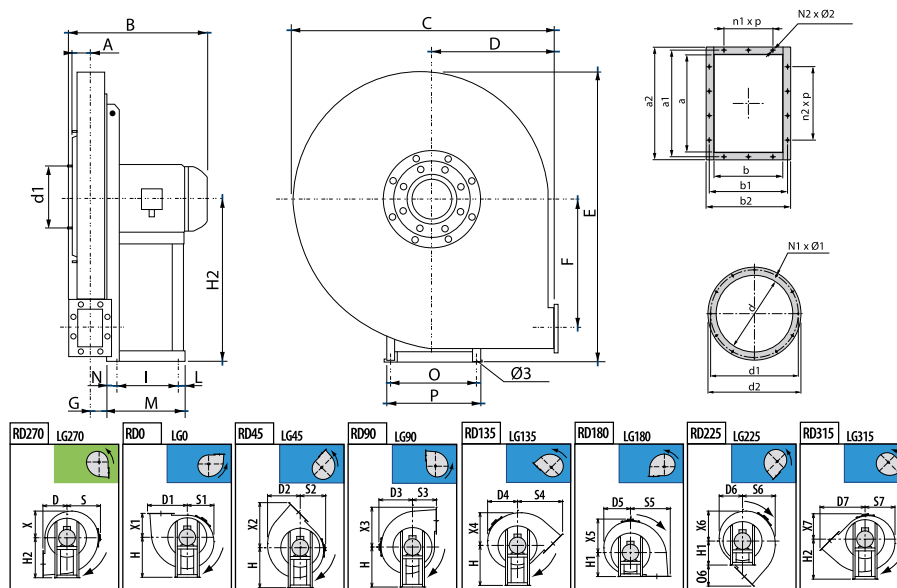
Fan data sheet		
Fan type	Centrifugal fan backward blades with casing	
Installation category	A: Outlet and Inlet free discharge	
Efficiency category	Static	
The fan has to be installed with VF	No	
Motor power (kW)	2.2	
	Fan values	ERP Requirements 2015
Max. efficiency (%)	57.78	52.52
Efficiency grade (N)	66.26	61
Pabs (kW)	1.557	
Flow (m³/h)	1295.95	
Static pressure (Pa)	2497.55	
Speed (m/s)	2840	



Fan values	ERP Requirements 2015
------------	-----------------------

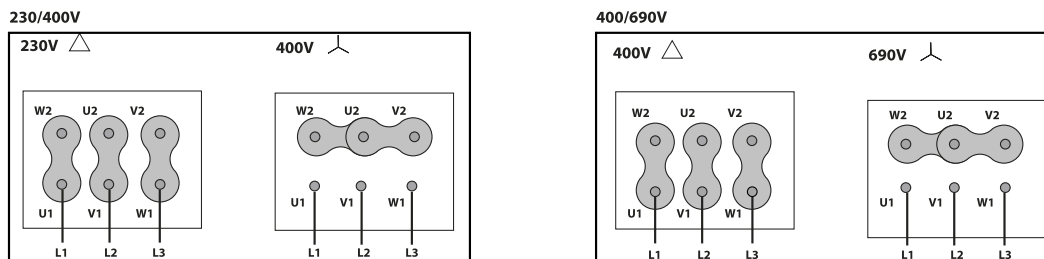
Specific ratio	1.00
----------------	------

DIMENSIONS



Dimensions (mm)									
A	71	B	437	C	620	D	280	D1	356
D2	314	D3	340	D4	302	D5	284	D6	293
D7	450	E	659	F	238	G	63	H	375
H1	280	H2	375	I	133	L	58	M	246
N	55	N1xØ1	Nº8 M6x20	N2xØ2	6x12	O	234	O6	170
P	260	S	340	S1	284	S2	293	S3	280
S4	450	S5	356	S6	314	S7	302	X	284
X1	280	X2	450	X3	356	X4	314	X5	340
X6	302	X7	293	a	166	a1	200	a2	236
b	117	b1	151	b2	187	d	205	d1	241
d2	275	n1xp	-	n2xp	1x112	Ø3	10		

WIRING DIAGRAM



ACCESSORIES



SAFETY SWITCH
INT 25 3P A
REF: INT253PA



ANTI-VIBRATION JOINT
JE 45
REF: 300719201



INLET PROTECTION GUARD FOR CENTRIFUGAL FANS
RA 205x8
REF: A-510002000



CIRCULAR OUTLET CONNECTION FLANGE
EI 166x117-200
REF: 510201602



FREQUENCY SPEED CONTROLLER
SFC 230 I 10A *
REF: SFC230I0010



ANTI-VIBRATION RUBBER BLOCK
AVR (GENERIC)



ACOUSTIC CABINS FOR CENTRIFUGAL FANS
AB (GENERIC)



ANTI-VIBRATING FLANGE 400^º/2H
BA-400 20
REF: 960002066



CONECTION FLANGE
AC 200
REF: 960003206



OUTLET PROTECTION GUARD FOR FANS
RI 166x117
REF: A-510101600



FRONTAL FEET SUPORT
FS 400
REF: *GH-FS400



FREQUENCY SPEED CONTROLLER
SFC 400 III 5A *
REF: SFC400III5



ANTI-VIBRATION SPRING BLOCK
AVS (GENERIC)

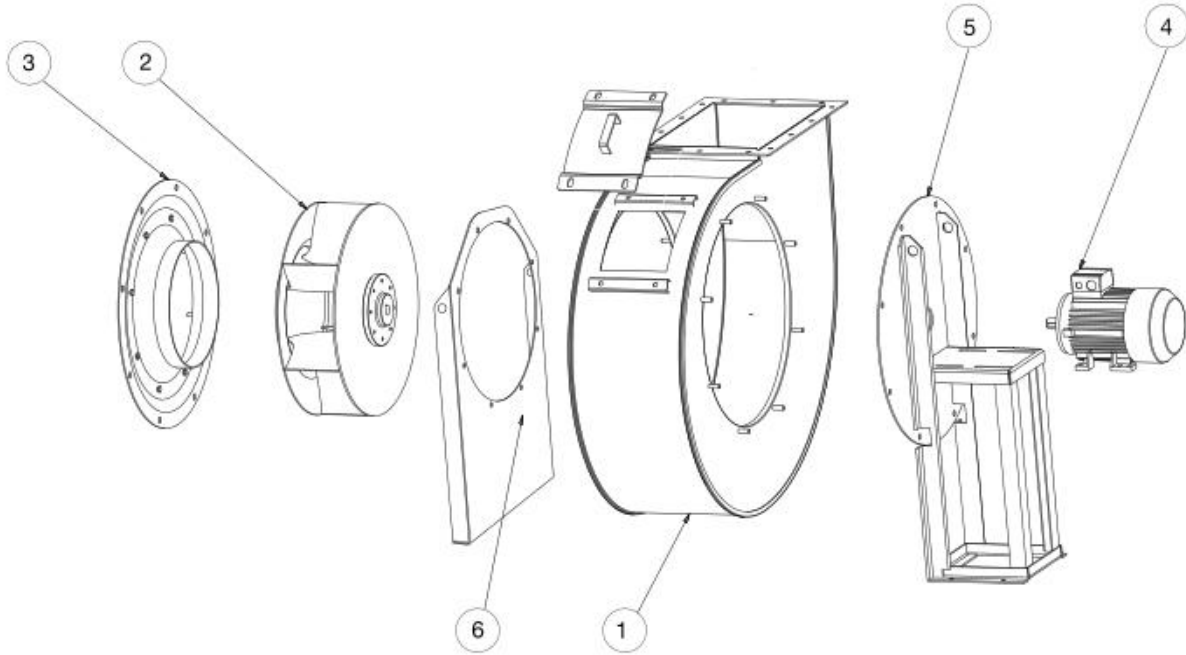


CIRCULAR-CIRCULAR ANTI-VIBRATION FLANGE FOR STORM
BADS 205-8
REF: BADS205-8



**RECTANGULAR-RECTANGULAR ANTI-VIBRATION
FLANGE FOR STORM
BIDS 117x166-200
REF: BIDS-11166**

SPARE PARTS



	Code	Model	Qty
2	T02804027	TURBINE AAVM/N 400 T2 2,2kW LG	x1
3	505104000SP04	INLET CONE AAVM-AATVM 400	x1
4	721001053	MOTOR 2,2kW T2 B3 230/400V	x1