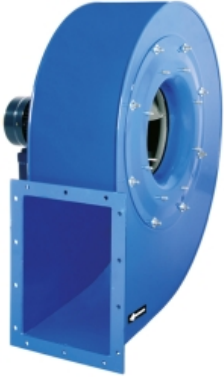


AAVM/N 450 T2 4kW (std) (502804532)

GENERAL DATA



HIGH PRESSURE WITH BACKWARD IMPELLER

MANUFACTURING FEATURES:

- Fan made of Fe360 sheet. The fan paint finish is based on a Qualicoat polyester powder coating stoved at 200°C, with an average film thickness of 70 microns. Average heat resistance of coating is 180°C with peaks of 200°C.
- Fully welded housing.
- High efficiency simple inlet backward impeller with self-cleaning system made of Fe360 sheet statically and dynamically balanced. Impellers are painted with polyester primer that resists temperatures up to 300°C.
- Standard asynchronous squirrel-cage motor with IP-55 protection and class F insulation. Manufactured with standard voltages: 230/400V 50Hz in three phase motors up to 4kW and 400/690V 50Hz for higher powers. IE4 motors for 75kW power or higher.
- It allows adjusting the orientation locally from models 350 to 630. Models sizes from 710 to 1000 size the orientation is fixed.
- Available positions (to be indicated in case of order): LG270, LG0, LG45, LG90, LG135, LG180, LG225, LG315, RD0, RD45, RD90, RD135, RD180, RD225, RD270, RD315.
- The indicated codes correspond to the model in position LG270

APPLICATIONS:

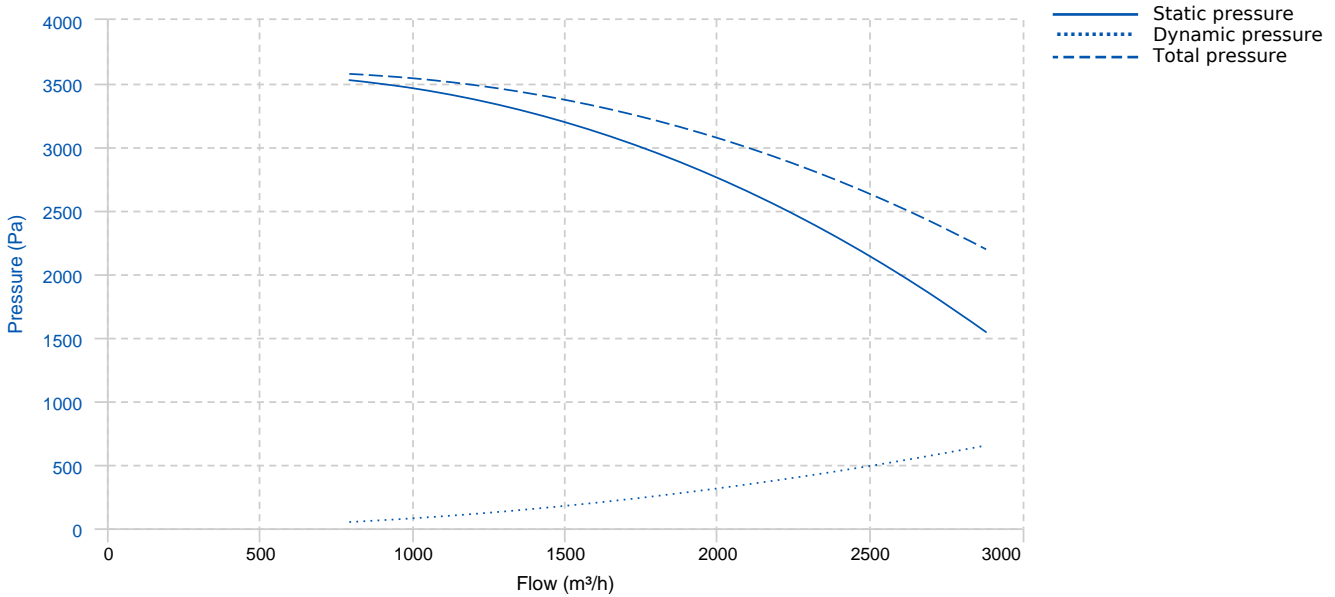
Designed for inline installation, they are suitable for:

- Industrial applications, extraction or injection of air.
- Cooling of machines and parts.
- Clean and slightly dusty air transport.
- Exhaust after filters, separators and cyclones.
- Pneumatic transport.
- Maximum working temperature: carried air: 130°C, ambient: 60°C.

UNDER REQUEST

- Fans for 60Hz and special voltages.
- 2 speed motor.
- C4 coating painting
- Hot dip galvanized
- Special steel (Cor-Ten A, Hardox...)
- Inox 304 (normal or electropolished finish)
- Inox 316 (normal or electropolished finish)
- Cooling wheel
- Anticaloric paint
- Reinforced housing
- Fully welded housing (waterproof)
- Insulated housing
- Split casing (for big sizes)
- Inspection door to facilitate maintenance and cleaning
- Drain plug.
- Airtight axle
- Frontal foot
- Double suction flange
- Available in non-sparking air passage and standard motor.
- Other brands of motors.

PERFORMANCE CURVE

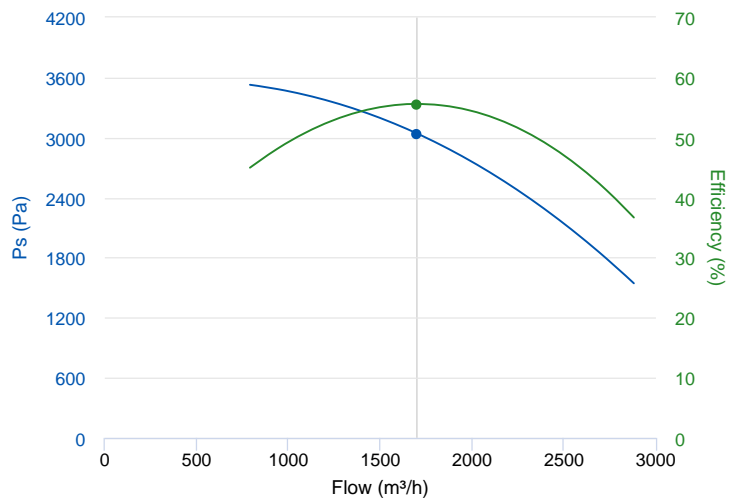


TECHNICAL DATA

Fan							
RPM	2880	Approx. weight	80 kg	Max. Flow	2890 m³/h		
Motor							
Power	4 kW	RPM	2880	I max. (230V)	13,3 A	I max. (400V)	7,63 A
Size	112M	Approx. weight	43.5 kg	Efficiency (%)	88.1 %	FP	0.88

ERP DATA

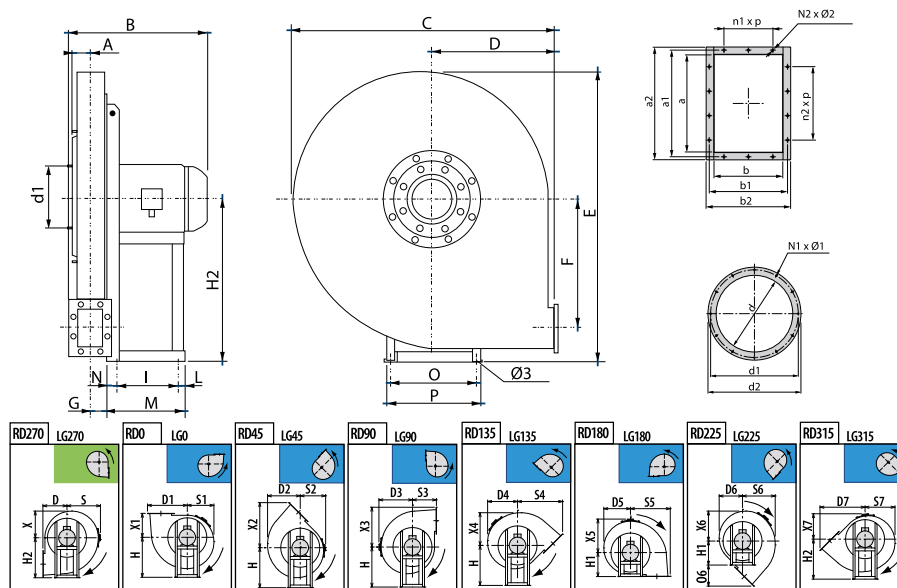
Fan data sheet		
Fan type	Centrifugal fan backward blades with casing	
Installation category	A: Outlet and Inlet free discharge	
Efficiency category	Static	
The fan has to be installed with VF	No	
Motor power (kW)	4	
	Fan values	ERP Requirements 2015
Max. efficiency (%)	55.59	54.84
Efficiency grade (N)	61.75	61
Pabs (kW)	2.589	
Flow (m³/h)	1701.57	
Static pressure (Pa)	3039.9	
Speed (m/s)	2880	



Fan values	ERP Requirements 2015
------------	-----------------------

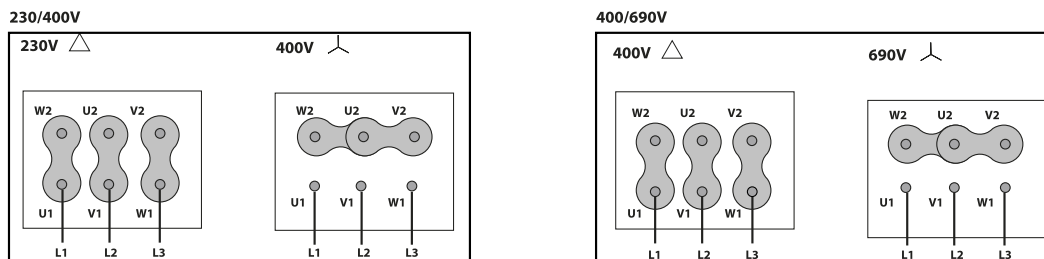
Specific ratio	1.00
----------------	------

DIMENSIONS



Dimensions (mm)									
A	78	B	503	C	675	D	300	D1	393
D2	350	D3	375	D4	335	D5	313	D6	319
D7	490	E	713	F	265	G	70	H	400
H1	300	H2	400	I	197	L	49	M	276
N	30	N1xØ1	Nº8 M6x20	N2xØ2	6x12	O	289	O6	190
P	324	S	375	S1	313	S2	319	S3	300
S4	490	S5	393	S6	350	S7	335	X	313
X1	300	X2	490	X3	393	X4	350	X5	375
X6	335	X7	319	a	185	a1	219	a2	255
b	131	b1	165	b2	201	d	228	d1	265
d2	298	n1xp	-	n2xp	1x112	Ø3	12		

WIRING DIAGRAM



ACCESSORIES



SAFETY SWITCH
INT 25 3P A
REF: INT253PA



ANTI-VIBRATION JOINT
JE 45
REF: 300719201



INLET PROTECTION GUARD FOR CENTRIFUGAL FANS
RA 228x8
REF: A-510002200



CIRCULAR OUTLET CONNECTION FLANGE
EI 185x131-225
REF: 510201802



FREQUENCY SPEED CONTROLLER
SFC 400 III 8A *
REF: SFC400III8



ANTI-VIBRATION SPRING BLOCK
AVS (GENERIC)



CIRCULAR-CIRCULAR ANTI-VIBRATION FLANGE FOR STORM
BADS 228-8
REF: BADS228-8



ANTI-VIBRATING FLANGE 400°/2H
BA-400 25
REF: 960002051



CONNECTION FLANGE
AC 225
REF: 960003207



OUTLET PROTECTION GUARD FOR FANS
RI 185x131
REF: A-510101800



FRONTAL FEET SUPORT
FS 450
REF: *GH-FS450



ANTI-VIBRATION RUBBER BLOCK
AVR (GENERIC)

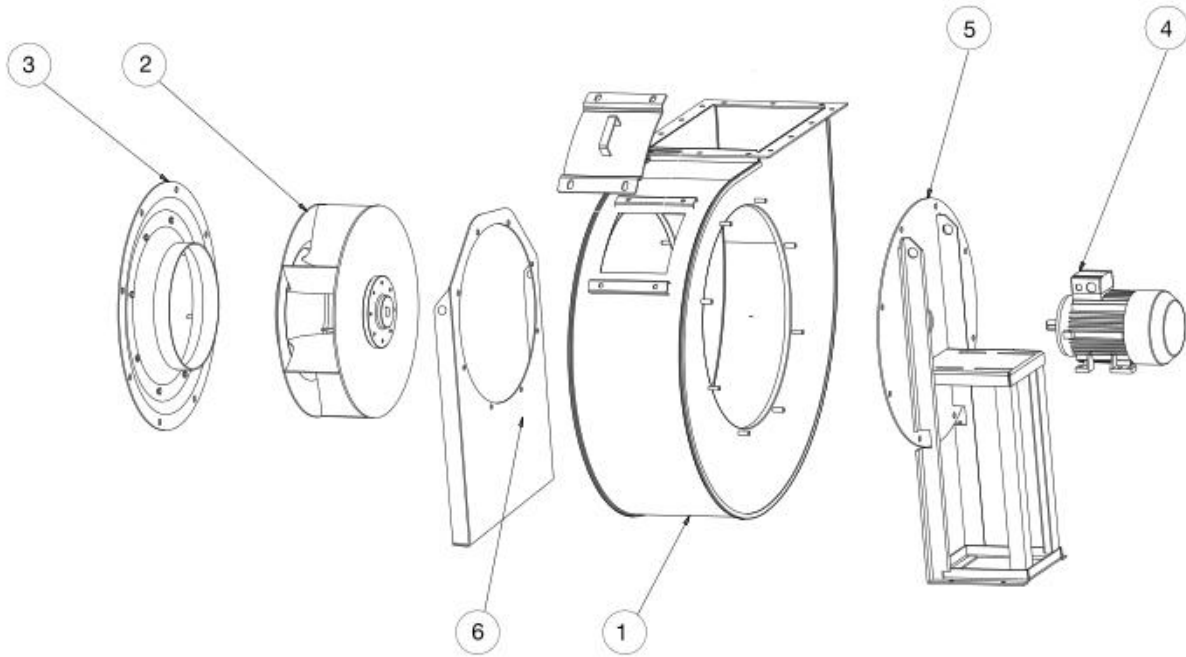


ACOUSTIC CABINS FOR CENTRIFUGAL FANS
AB (GENERIC)



RECTANGULAR-RECTANGULAR ANTI-VIBRATION FLANGE FOR STORM
BIDS 131x185-200
REF: BIDS-13185

SPARE PARTS



	Code	Model	Qty
2	T02804532	TURBINE AAVM/N 450 T2 4kW LG	x1
3	505104500SP04	INLET CONE AAVM-AATVM 450	x1
4	721001065	MOTOR 4KW T2 B3 230/400V	x1