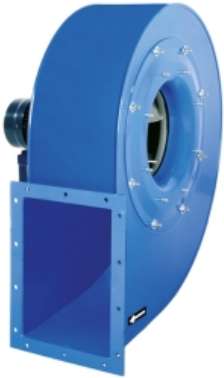


AAVM/N 500 T2 5,5kW (std) (502805034)

GENERAL DATA



HIGH PRESSURE WITH BACKWARD IMPELLER

MANUFACTURING FEATURES:

- Fan made of Fe360 sheet. The fan paint finish is based on a Qualicoat polyester powder coating stoved at 200°C, with an average film thickness of 70 microns. Average heat resistance of coating is 180°C with peaks of 200°C.
- Fully welded housing.
- High efficiency simple inlet backward impeller with self-cleaning system made of Fe360 sheet statically and dynamically balanced. Impellers are painted with polyester primer that resists temperatures up to 300°C.
- Standard asynchronous squirrel-cage motor with IP-55 protection and class F insulation. Manufactured with standard voltages: 230/400V 50Hz in three phase motors up to 4kW and 400/690V 50Hz for higher powers. IE4 motors for 75kW power or higher.
- It allows adjusting the orientation locally from models 350 to 630. Models sizes from 710 to 1000 size the orientation is fixed.
- Available positions (to be indicated in case of order): LG270, LG0, LG45, LG90, LG135, LG180, LG225, LG315, RD0, RD45, RD90, RD135, RD180, RD225, RD270, RD315.
- The indicated codes correspond to the model in position LG270

APPLICATIONS:

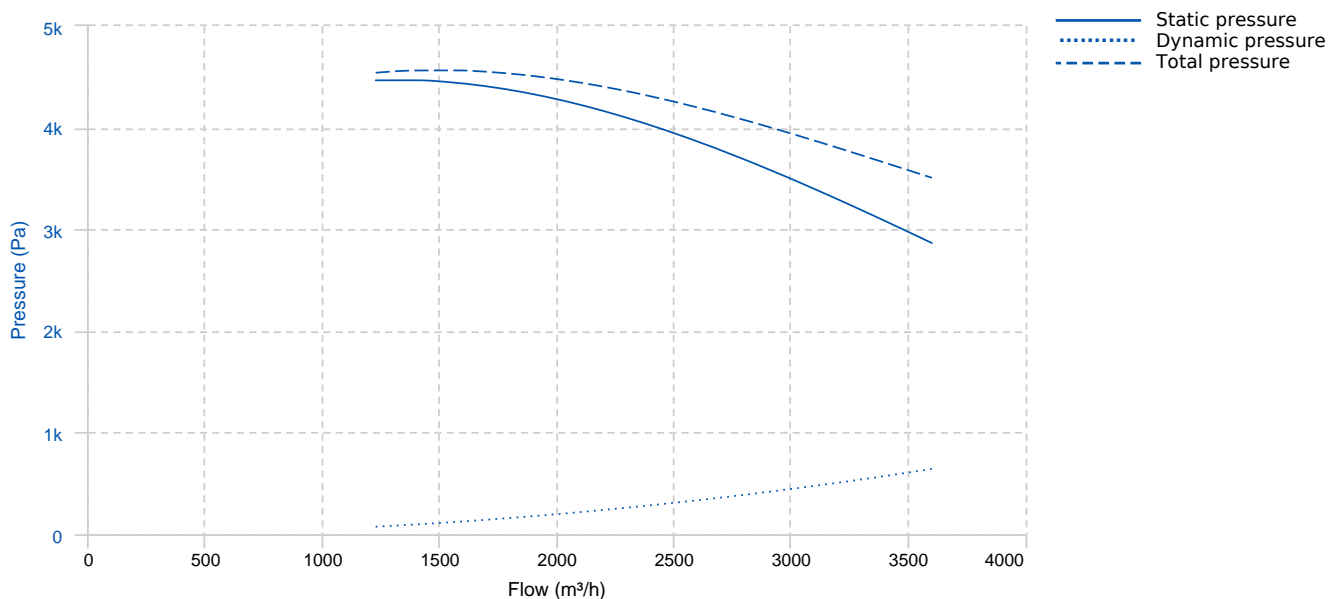
Designed for inline installation, they are suitable for:

- Industrial applications, extraction or injection of air.
- Cooling of machines and parts.
- Clean and slightly dusty air transport.
- Exhaust after filters, separators and cyclones.
- Pneumatic transport.
- Maximum working temperature: carried air: 130°C, ambient: 60°C.

UNDER REQUEST

- Fans for 60Hz and special voltages.
- 2 speed motor.
- C4 coating painting
- Hot dip galvanized
- Special steel (Cor-Ten A, Hardox...)
- Inox 304 (normal or electropolished finish)
- Inox 316 (normal or electropolished finish)
- Cooling wheel
- Anticaloric paint
- Reinforced housing
- Fully welded housing (waterproof)
- Insulated housing
- Split casing (for big sizes)
- Inspection door to facilitate maintenance and cleaning
- Drain plug.
- Airtight axle
- Frontal foot
- Double suction flange
- Available in non-sparking air passage and standard motor.
- Other brands of motors.

PERFORMANCE CURVE



TECHNICAL DATA

Fan

RPM	2910	Approx. weight	107 kg	Max. Flow	3610 m³/h
-----	------	----------------	--------	-----------	-----------

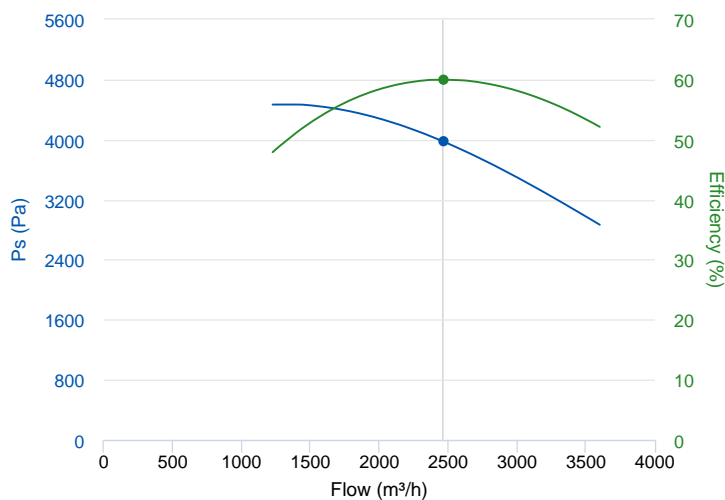
Motor

Power	5,5 kW	RPM	2910	I max. (400V)	10,6 A	I max. (690V)	6,14 A
Size	132S	Approx. weight	68 kg	Efficiency (%)	89.2 %	FP	0.85

ERP DATA

Fan data sheet

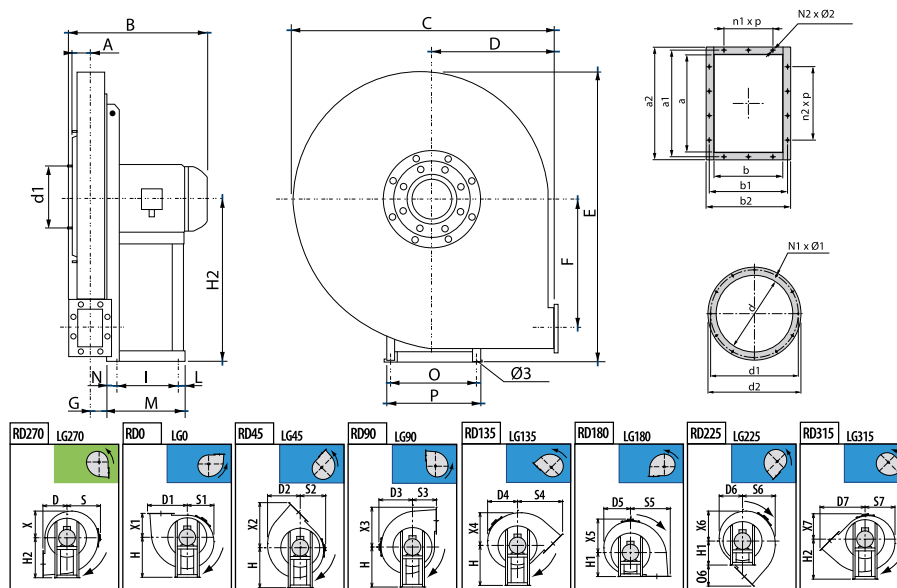
Fan type	Centrifugal fan backward blades with casing	
Installation category	A: Outlet and Inlet free discharge	
Efficiency category	Static	
The fan has to be installed with VF	No	
Motor power (kW)	5.5	
	Fan values	ERP Requirements 2015
Max. efficiency (%)	59.97	57.4
Efficiency grade (N)	63.57	61
Pabs (kW)	4.541	
Flow (m³/h)	2469	
Static pressure (Pa)	3971.28	
Speed (m/s)	2910	



Fan values	ERP Requirements 2015
------------	-----------------------

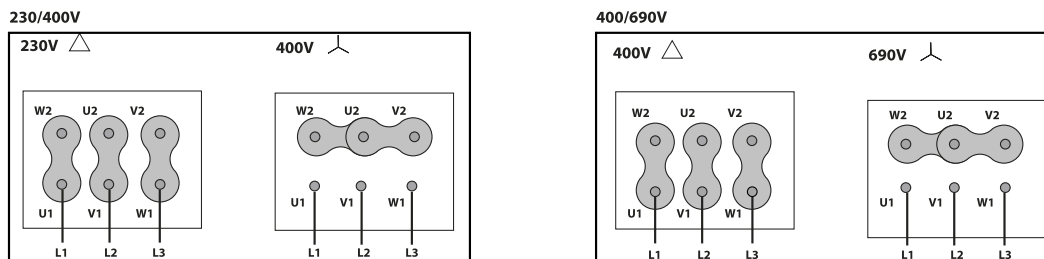
Specific ratio	1.00
----------------	------

DIMENSIONS



Dimensions (mm)									
A	86	B	560	C	745	D	335	D1	436
D2	386	D3	410	D4	370	D5	345	D6	350
D7	546	E	795	F	297	G	78	H	450
H1	335	H2	450	I	237	L	59	M	336
N	40	N1xØ1	Nº8 M8x25	N2xØ2	8x12	O	337	O6	211
P	372	S	410	S1	345	S2	350	S3	335
S4	546	S5	436	S6	386	S7	370	X	345
X1	335	X2	546	X3	436	X4	386	X5	410
X6	370	X7	350	a	207	a1	241	a2	277
b	148	b1	182	b2	218	d	255	d1	292
d2	325	n1xp	1x112	n2xp	1x112	Ø3	12		

WIRING DIAGRAM



ACCESSORIES



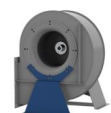
SAFETY SWITCH
INT 25 3P A
REF: INT253PA



ANTI-VIBRATION JOINT
JE 45
REF: 300719201



OUTLET PROTECTION GUARD FOR FANS
RI 207x148
REF: A-510102000



FRONTAL FEET SUPORT
FS 500
REF: *GH-FS500



ANTI-VIBRATION RUBBER BLOCK
AVR (GENERIC)



ACOUSTIC CABINS FOR CENTRIFUGAL FANS
AB (GENERIC)



RECTANGULAR-RECTANGULAR ANTI-VIBRATION FLANGE FOR STORM
BIDS 148x207-200
REF: BIDS-14207



ANTI-VIBRATING FLANGE 400º/2H
BA-400 25
REF: 960002051



INLET PROTECTION GUARD FOR CENTRIFUGAL FANS
RA 255x8
REF: A-510002500



CONNECTION FLANGE
AC 250
REF: 960003208



FREQUENCY SPEED CONTROLLER
SFC 400 III 12A *
REF: SFC400III12

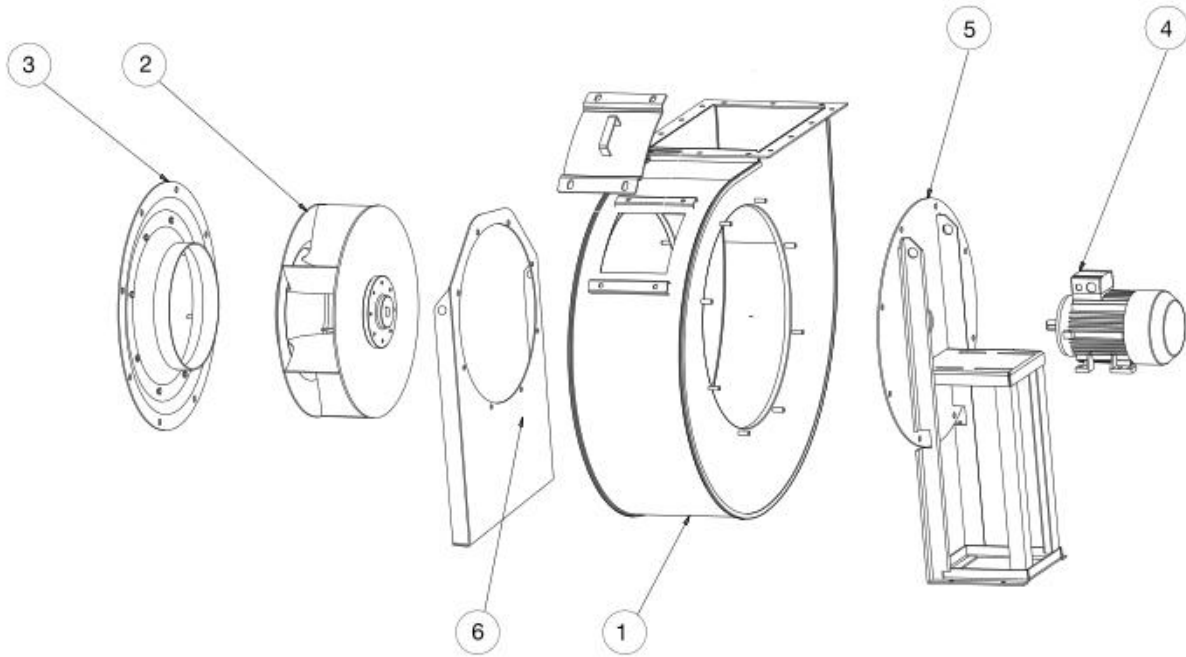


ANTI-VIBRATION SPRING BLOCK
AVS (GENERIC)



CIRCULAR-CIRCULAR ANTI-VIBRATION FLANGE FOR STORM
BADS 255-8
REF: BADS255-8

SPARE PARTS



	Code	Model	Qty
2	T02805034	TURBINE AAVM/N 500 T2 5,5kW LG	x1
3	505105000SP04	INLET CONE AAVM-AATVM 500	x1
4	721001072	MOTOR 5,5kW T2 B3 400/690V	x1