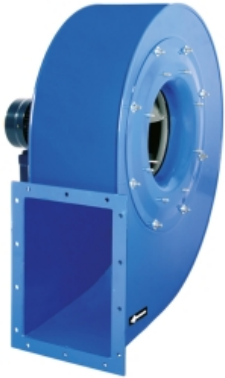


## AAVM/N 712 T4 5,5kW (std) (502807161)

### GENERAL DATA



#### HIGH PRESSURE WITH BACKWARD IMPELLER

##### MANUFACTURING FEATURES:

- Fan made of Fe360 sheet. The fan paint finish is based on a Qualicoat polyester powder coating stoved at 200°C, with an average film thickness of 70 microns. Average heat resistance of coating is 180°C with peaks of 200°C.
- Fully welded housing.
- High efficiency simple inlet backward impeller with self-cleaning system made of Fe360 sheet statically and dynamically balanced. Impellers are painted with polyester primer that resists temperatures up to 300°C.
- Standard asynchronous squirrel-cage motor with IP-55 protection and class F insulation. Manufactured with standard voltages: 230/400V 50Hz in three phase motors up to 4kW and 400/690V 50Hz for higher powers. IE4 motors for 75kW power or higher.
- It allows adjusting the orientation locally from models 350 to 630. Models sizes from 710 to 1000 size the orientation is fixed.
- Available positions (to be indicated in case of order): LG270, LG0, LG45, LG90, LG135, LG180, LG225, LG315, RD0, RD45, RD90, RD135, RD180, RD225, RD270, RD315.
- The indicated codes correspond to the model in position LG270

##### APPLICATIONS:

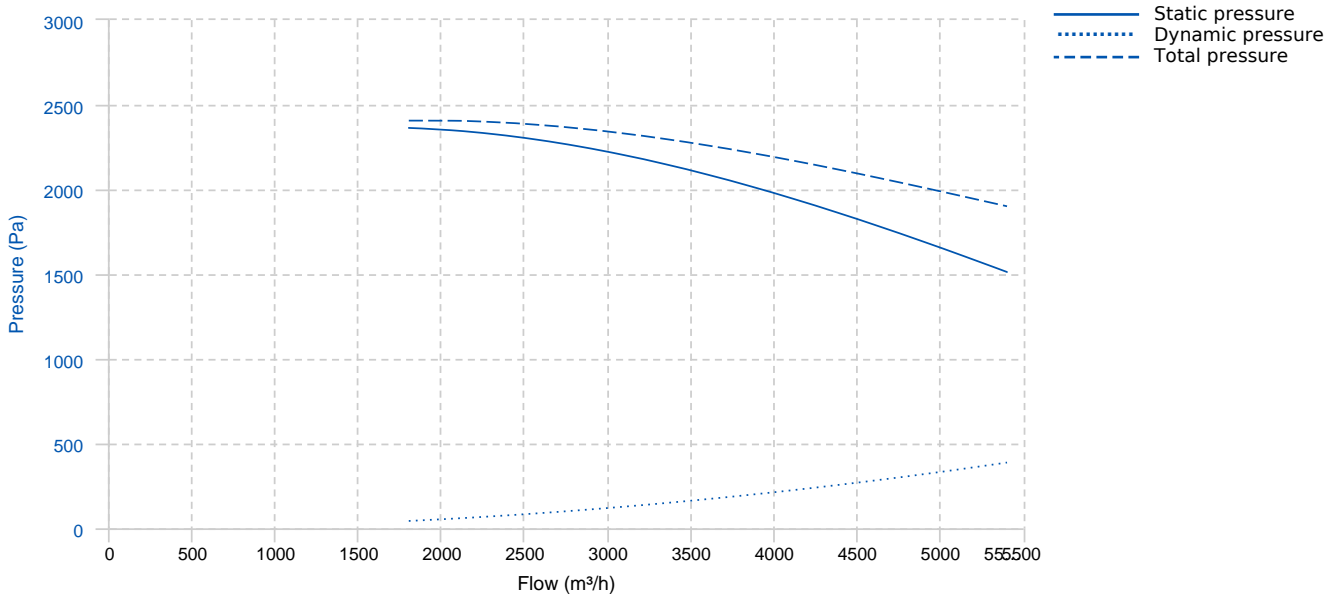
Designed for inline installation, they are suitable for:

- Industrial applications, extraction or injection of air.
- Cooling of machines and parts.
- Clean and slightly dusty air transport.
- Exhaust after filters, separators and cyclones.
- Pneumatic transport.
- Maximum working temperature: carried air: 130°C, ambient: 60°C.

##### UNDER REQUEST

- Fans for 60Hz and special voltages.
- 2 speed motor.
- C4 coating painting
- Hot dip galvanized
- Special steel (Cor-Ten A, Hardox...)
- Inox 304 (normal or electropolished finish)
- Inox 316 (normal or electropolished finish)
- Cooling wheel
- Anticaloric paint
- Reinforced housing
- Fully welded housing (waterproof)
- Insulated housing
- Split casing (for big sizes)
- Inspection door to facilitate maintenance and cleaning
- Drain plug.
- Airtight axle
- Frontal foot
- Double suction flange
- Available in non-sparking air passage and standard motor.
- Other brands of motors.

## PERFORMANCE CURVE

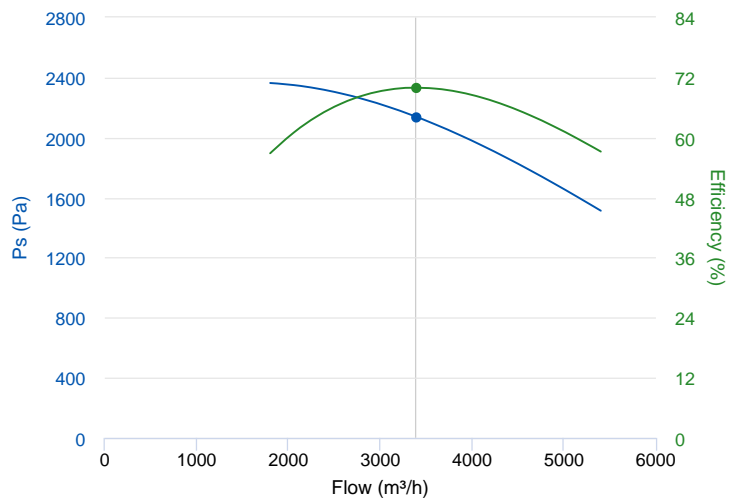


## TECHNICAL DATA

Fan							
RPM	1460	Approx. weight	211 kg	Max. Flow	5410 m³/h		
Motor							
Power	5,5 kW	RPM	1460	I max. (400V)	10,5 A	I max. (690V)	6,09 A
Size	132S	Approx. weight	67 kg	Efficiency (%)	89.6 %	FP	0.86

## ERP DATA

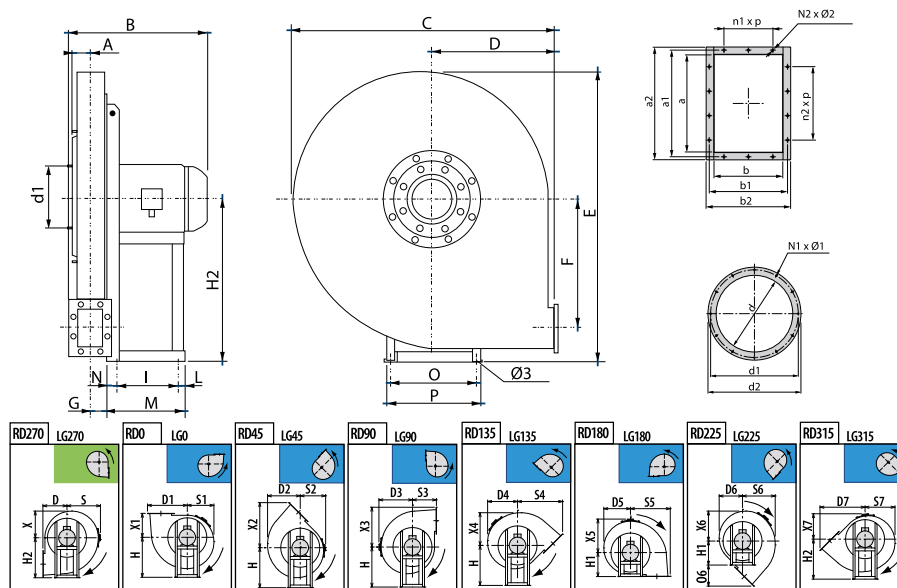
Fan data sheet		
Fan type	Centrifugal fan backward blades with casing	
Installation category	A: Outlet and Inlet free discharge	
Efficiency category	Static	
The fan has to be installed with VF	No	
Motor power (kW)	5.5	
	Fan values	ERP Requirements 2015
Max. efficiency (%)	69.96	55.33
Efficiency grade (N)	75.63	61
Pabs (kW)	2.882	
Flow (m³/h)	3392.15	
Static pressure (Pa)	2138.6	
Speed (m/s)	1460	



Fan values	ERP Requirements 2015
------------	-----------------------

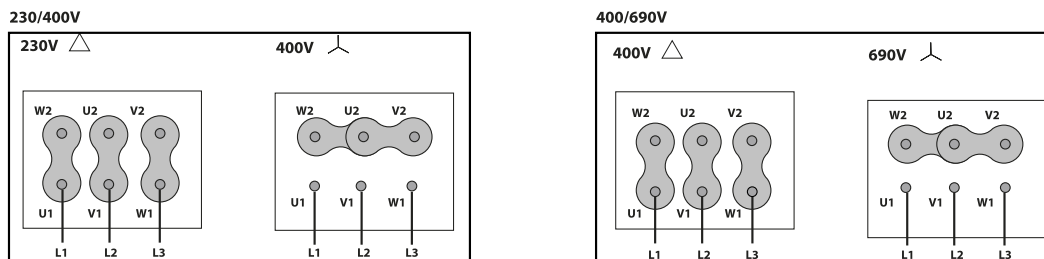
Specific ratio	1.00
----------------	------

## DIMENSIONS



Dimensions (mm)									
A	115	B	623	C	1045	D	475	D1	610
D2	547	D3	570	D4	522	D5	493	D6	489
D7	767	E	1123	F	426	G	108	H	630
H1	475	H2	630	I	237	L	59	M	336
N	40	N1xØ1	Nº8 M8x25	N2xØ2	10x12	O	337	O6	292
P	372	S	570	S1	493	S2	489	S3	475
S4	767	S5	610	S6	547	S7	522	X	493
X1	475	X2	767	X3	610	X4	547	X5	570
X6	522	X7	489	a	288	a1	332	a2	368
b	205	b1	249	b2	285	d	360	d1	405
d2	440	n1xp	1x125	n2xp	2x125	Ø3	12		

## WIRING DIAGRAM



## ACCESSORIES



**SAFETY SWITCH**  
INT 25 3P A  
REF: INT253PA



**CONNECTION FLANGE**  
AC 350  
REF: 960003211



**ANTI-VIBRATING FLANGE 400<sup>o</sup>/2H**  
BA-400 35  
REF: 960002053



**ANTI-VIBRATION JOINT**  
JE 45  
REF: 300719201



**INLET PROTECTION GUARD FOR CENTRIFUGAL FANS**  
RA 360x8  
REF: A-510003600



**OUTLET PROTECTION GUARD FOR FANS**  
RI 288x205  
REF: A-510102800



**CIRCULAR OUTLET CONNECTION FLANGE**  
EI 288x205-350  
REF: 510202803



**FREQUENCY SPEED CONTROLLER**  
SFC 400 III 12A \*  
REF: SFC400III12



**ANTI-VIBRATION RUBBER BLOCK**  
AVR (GENERIC)



**ANTI-VIBRATION SPRING BLOCK**  
AVS (GENERIC)



**ACOUSTIC CABINS FOR CENTRIFUGAL FANS**  
AB (GENERIC)



**CIRCULAR-CIRCULAR ANTI-VIBRATION FLANGE FOR STORM**  
BADS 360-8  
REF: BADS360-8



**RECTANGULAR-RECTANGULAR ANTI-VIBRATION FLANGE FOR STORM**  
BIDS 205x288-200  
REF: BIDS-20288

	Code	Model	Qty
2	T02807161	TURBINE AAVM/N 712 T4 5,5kW LG	x1
3	505107100SP04	INLET CONE AAVM-AATVM 710	x1
4	721001181	MOTOR 5,5kW T4 B3 400/690V	x1