

AC 300 (960003209)

GENERAL DATA



CONNECTION FLANGE

MANUFACTURING FEATURES

- For axial (inlet and outlet) and centrifugal (inlet) fans.

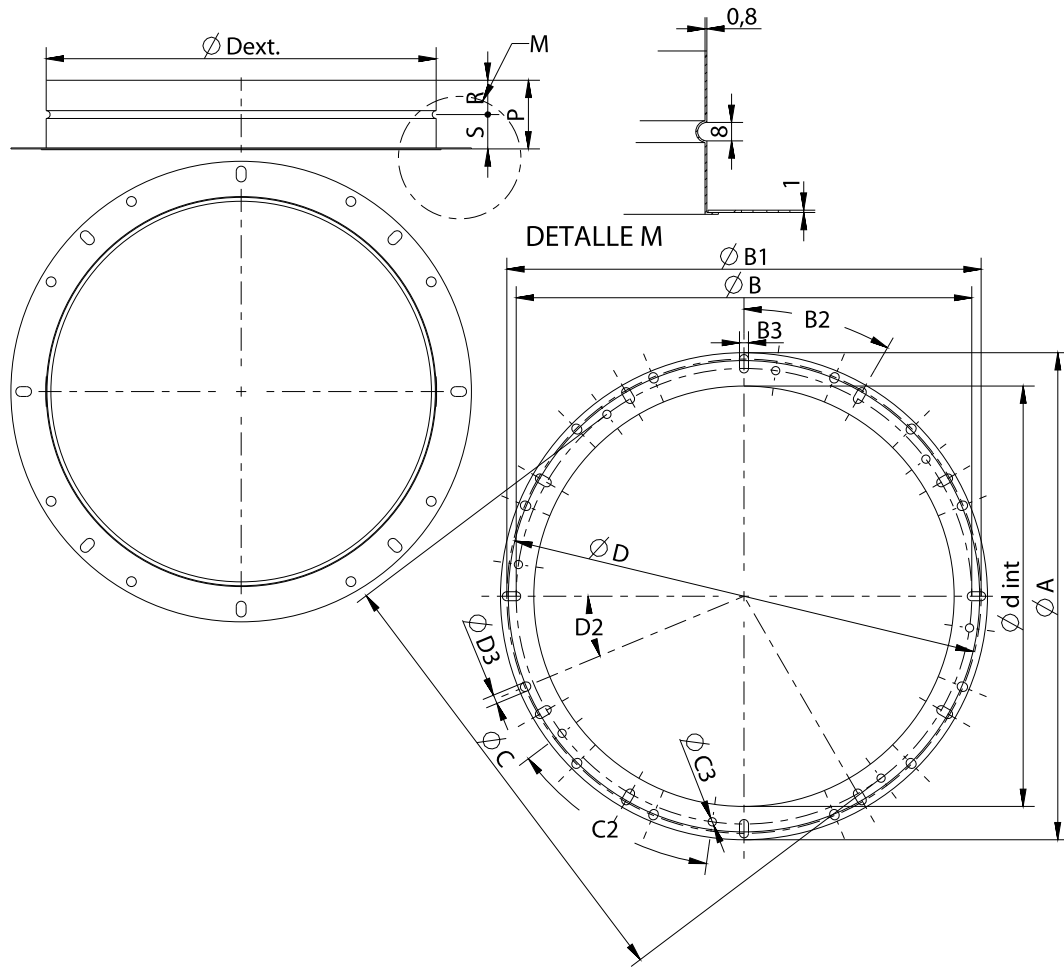
UNDER REQUEST

- Versions in stainless 304 and stainless 316.

TECHNICAL DATA

approx. weight 0.70 Kg

DIMENSIONS



Dimensions (mm)

A	380	B	355	B1	366	B2	8x45	B3	11
C	320	C2	8x45	C3	7	D	332	D2	8x45
D3	12	Dext	298	P	70	R=S	35	d int	299