

## AC 80 (960003201)

### GENERAL DATA



#### CONNECTION FLANGE

##### MANUFACTURING FEATURES

- For axial (inlet and outlet) and centrifugal (inlet) fans.

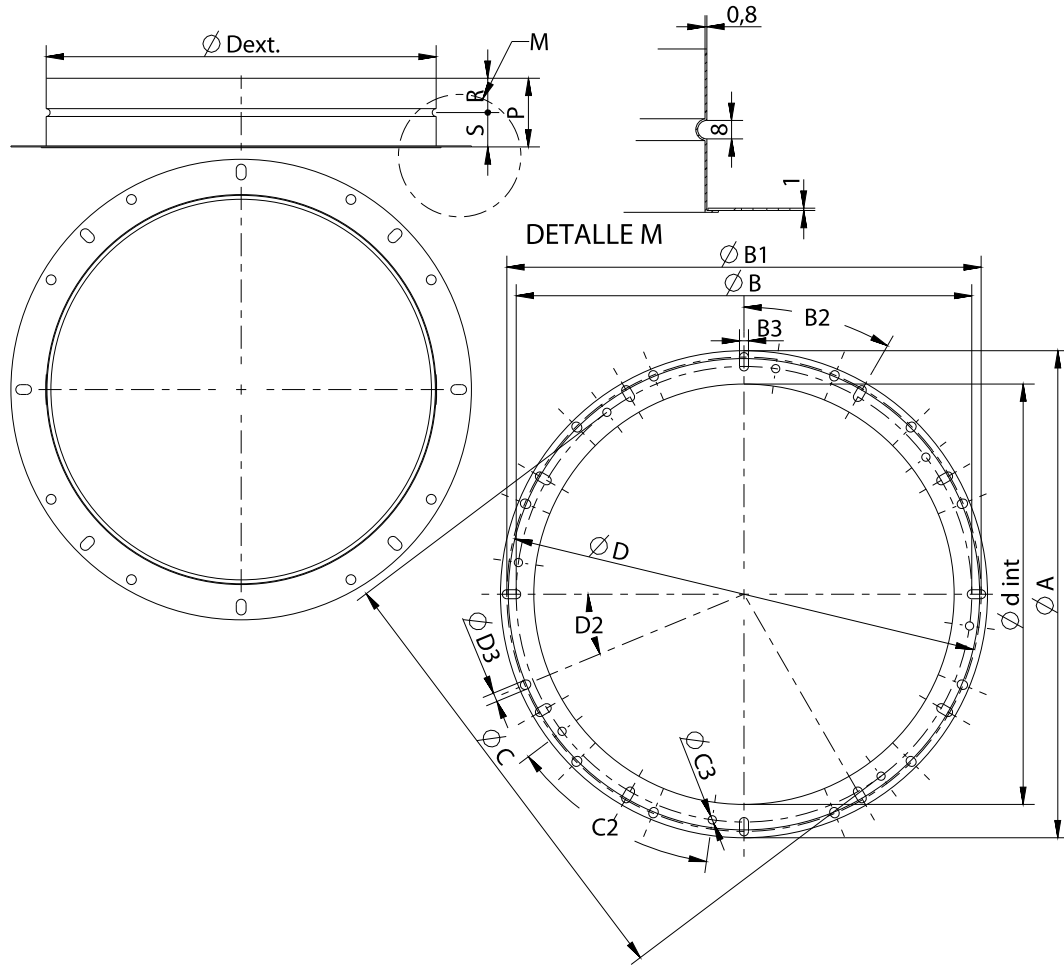
##### UNDER REQUEST

- Versions in stainless 304 and stainless 316.

### TECHNICAL DATA

approx. weight 0.20 Kg

### DIMENSIONS



### Dimensions (mm)

|      |     |   |     |     |     |      |      |    |   |
|------|-----|---|-----|-----|-----|------|------|----|---|
| A    | 127 | B | 100 | B1  | 112 | B2   | 4x90 | B3 | 7 |
| Dext | 78  | P | 70  | R=S | 35  | dint | 79   |    |   |