

## AC 800 (960003218)

### GENERAL DATA



#### CONNECTION FLANGE

##### MANUFACTURING FEATURES

- For axial (inlet and outlet) and centrifugal (inlet) fans.

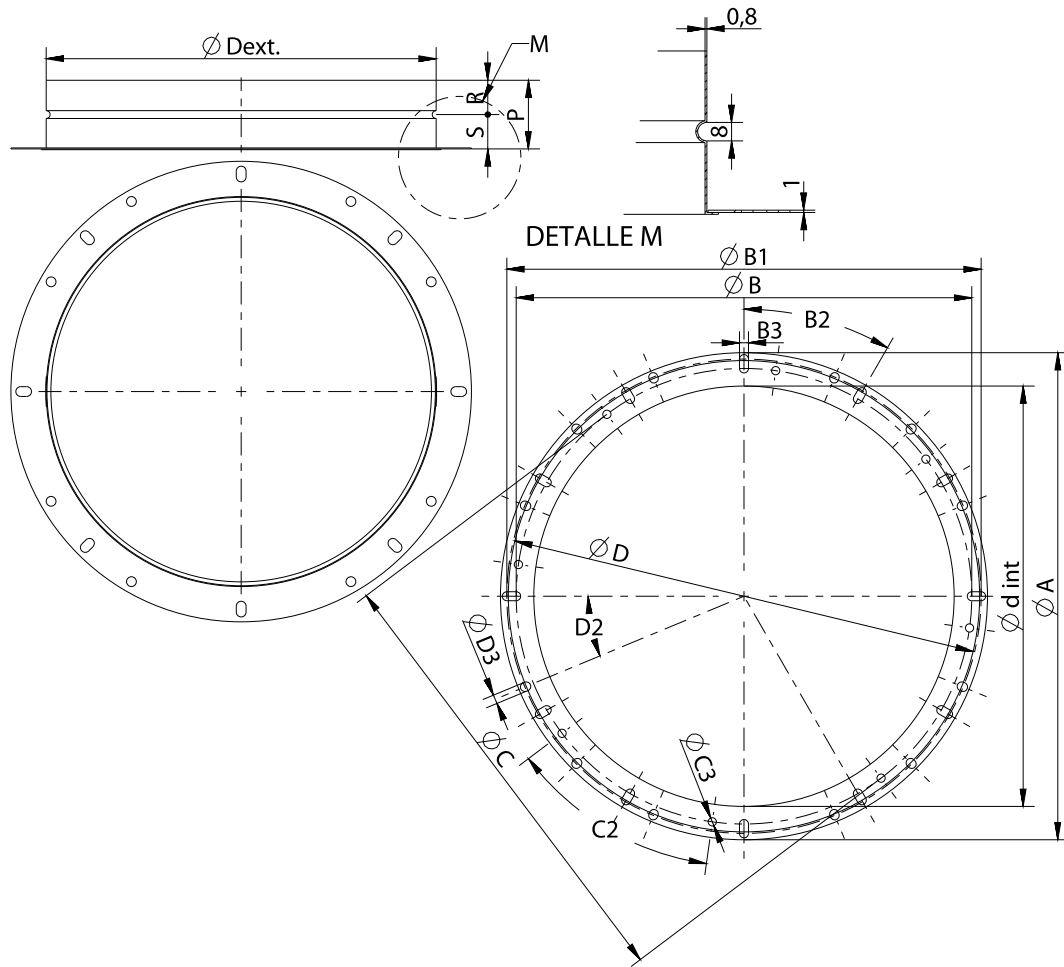
##### UNDER REQUEST

- Versions in stainless 304 and stainless 316.

### TECHNICAL DATA

approx. weight 1.80 Kg

### DIMENSIONS



### Dimensions (mm)

A	890	B	845	B1	861	B2	16x22,5	B3	12
Dext	798	P	70	R=S	35	dint	799		