

BD 12/12 M6 0,76kW (251520261)

GENERAL DATA



FAN DOUBLE INLET

MANUFACTURING FEATURES:

- Galvanised steel sheet housing.
- Polyamide impeller reinforced with fibreglass in models 7/7, 9/9, 10/10 and 12/12. The impeller of the rest of models are made of galvanised steel sheet.
- Double inlet forward curved impeller in all models.
- Supplied with mounting feet (included in price). Except 15/15 which is a cubic model.
- Exclusive system Casals fixing motor and turbine fan by flexible arms silent blocks to avoid any vibration. Arms in compliance with ROHS regulations 2002/95 / EC (Restriction of Hazardous Substances in electrical and electronic equipment)
- Closed motors specially designed Casals: extruded aluminum housing, all protected inside the terminal box on the motor IP 65 protection and motor with IP54 protection and Class F insulation standard voltages: 230V 50Hz in single phase and 230/400V 50Hz three-phase.
- Single phase motors with controllable voltage speed. Three phase motors controllable using a frequency speed controller

APPLICATIONS:

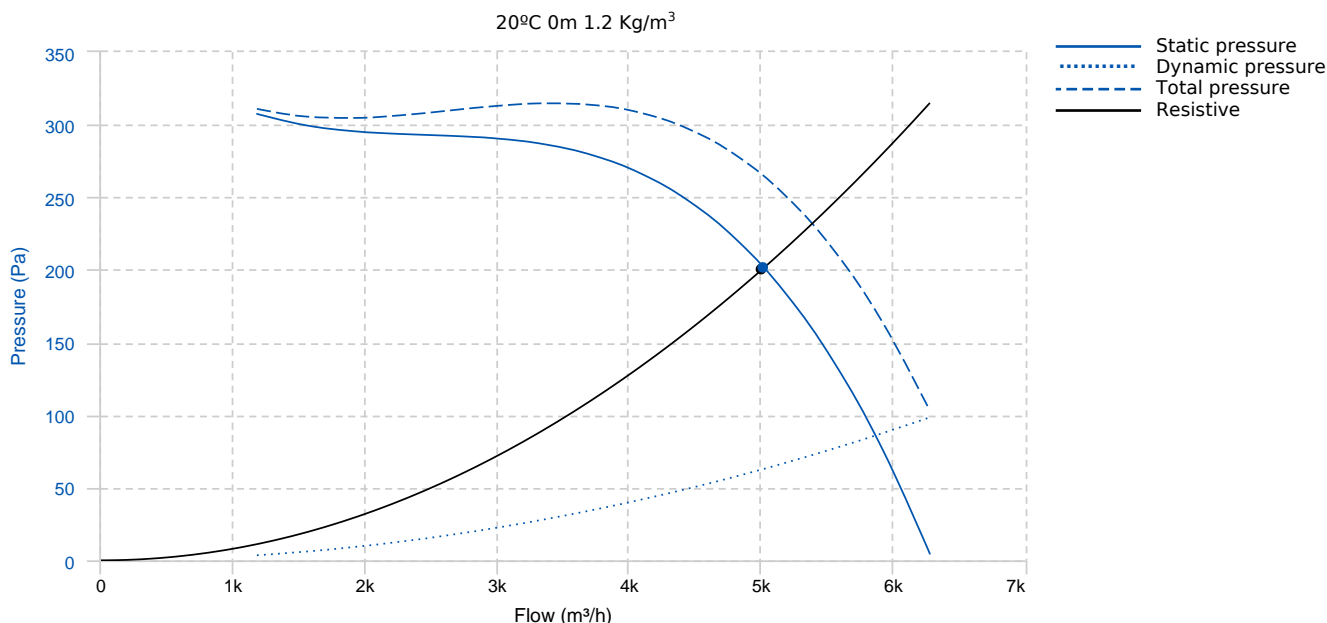
Designed for assembly in equipment:

- Ventilation boxes and air handling units.
- Centrifugal heaters.
- Industrial and professional kitchen hoods. Use in supply or extraction with prior fat filtering.
- Maximum working temperature: 50°C for single phase motors and 60°C for three phase motors.

UNDER REQUEST

- Impeller made of galvanized steel sheet.
- MBI assembled

PERFORMANCE CURVE



Design point

Flow (m³/h)

5000

Pressure (Pa)

200

Service point

T.max (°C)	50	Q (m³/h)	5018.41	Ps (Pa)	201.48	Pd (Pa)	62.99
Pt (Pa)	264.47	Speed (m/s)	10.25	Pabs (kW) 1.2 kg/m³	1.03	SFP (W/l/s) 1.2 kg/m³	0.74

TECHNICAL DATA

Fan

RPM	950	Approx. weight	27 kg	Max. Flow	6280 m³/h
-----	-----	----------------	-------	-----------	-----------

Motor

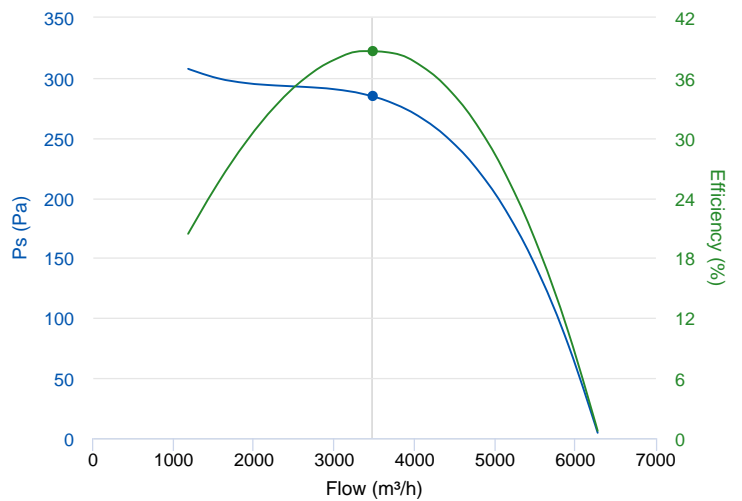
Power	0,76 kW	RPM	950	Capacitor	30µF 400V	I max. (230V)	6,7 A
Size	STC90	Approx. weight	11.15 kg	Efficiency (%)	70 %	FP	0.96

ERP DATA

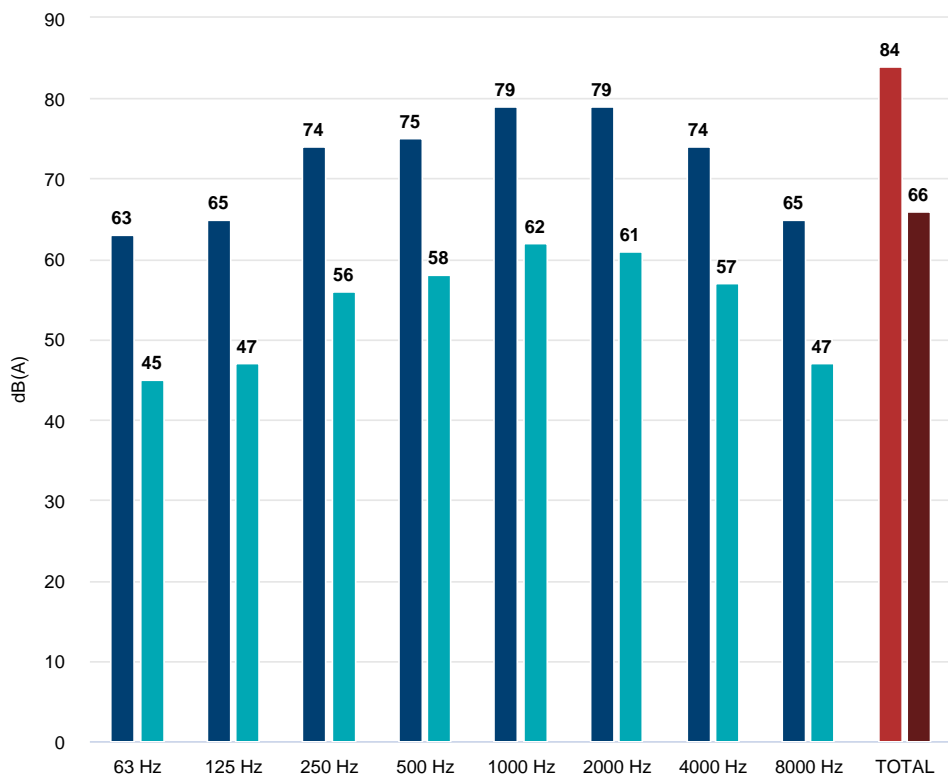
Fan data sheet

Fan type	Centrifugal fan radial or forward blades
Installation category	A: Outlet and Inlet free discharge
Efficiency category	Static
The fan has to be installed with VF	No
Motor power (kW)	0.76

	Fan values	ERP Requirements 2015
Max. efficiency (%)	38.72	36.69
Efficiency grade (N)	46.03	44
Pabs (kW)	0.698	
Flow (m³/h)	3479.52	
Static pressure (Pa)	284.56	
Speed (m/s)	950	
Specific ratio	1.00	



ACOUSTIC DATA (INLET)



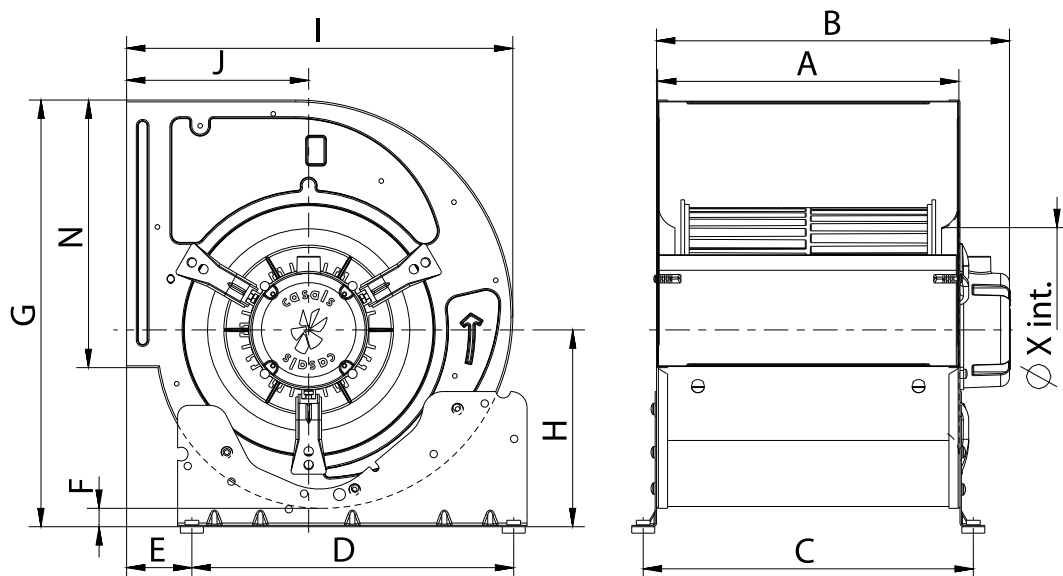
Sound power

63 Hz	63
125 Hz	65
250 Hz	74
500 Hz	75
1000 Hz	79
2000 Hz	79
4000 Hz	74
8000 Hz	65
TOTAL	84

Sound pressure 3m Q=2

63 Hz	45
125 Hz	47
250 Hz	56
500 Hz	58
1000 Hz	62
2000 Hz	61
4000 Hz	57
8000 Hz	47
TOTAL	66

DIMENSIONS

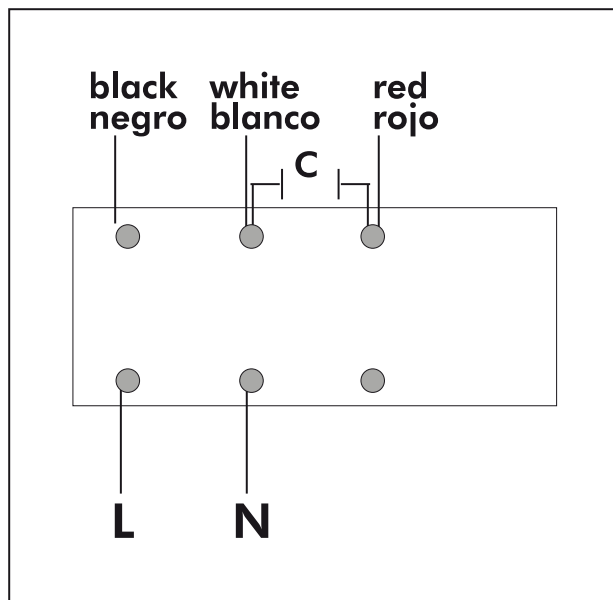


Dimensions (mm)

A	396	B m̀ax	437	C	425	D	350	E	77
F	17	G	536	H	244	I	490	J	230
N	343,5	X	260						

WIRING DIAGRAM

SINGLE PHASE MOTOR MOTOR MONOFÁSICO



ACCESSORIES



MANUAL SINGLE PHASE SPEED CONTROLLER
REG 10A
REF: 960710100



SAFETY SWITCH
INT 25 3P A
REF: INT253PA



OUTLET PROTECTION GUARD FOR FANS
RI 12/12
REF: 960000408



INLET PROTECTION GUARD FOR CENTRIFUGAL FANS
RA 12
REF: 960670100

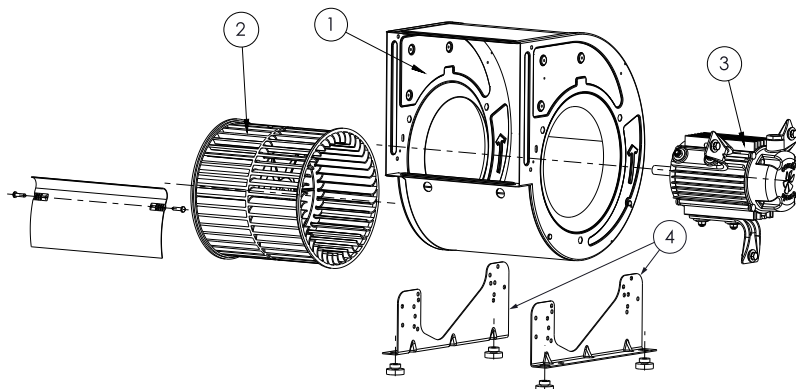


OUTLET FLANGE FOR BD AND BV FANS
MBI 12/12
REF: 251521691



PROTECTION GRID FOR BD FANS, MOTOR SIDE
RM 12 (T90)
REF: 960000805

SPARE PARTS



	Code	Model	Qty
1	R-251529422	CASING BD12/12	x1
2	R-251529383	TURBINE PA6 BD12/12	x1
3	720331370M015	MOTOR 0,76kW 6P 230V 50Hz MC T90	x1
4	960530100	MOUNTING SUPPORT S 12	x1