

BD 9/7 M4 0,35kW (251270260)

GENERAL DATA



FAN DOUBLE INLET

MANUFACTURING FEATURES:

- Galvanised steel sheet housing.
- Polyamide impeller reinforced with fibreglass in models 7/7, 9/9, 10/10 and 12/12. The impeller of the rest of models are made of galvanised steel sheet.
- Double inlet forward curved impeller in all models.
- Supplied with mounting feet (included in price). Except 15/15 which is a cubic model.
- Exclusive system Casals fixing motor and turbine fan by flexible arms silent blocks to avoid any vibration. Arms in compliance with ROHS regulations 2002/95 / EC (Restriction of Hazardous Substances in electrical and electronic equipment)
- Closed motors specially designed Casals: extruded aluminum housing, all protected inside the terminal box on the motor IP 65 protection and motor with IP54 protection and Class F insulation standard voltages: 230V 50Hz in single phase and 230/400V 50Hz three-phase.
- Single phase motors with controllable voltage speed. Three phase motors controllable using a frequency speed controller

APPLICATIONS:

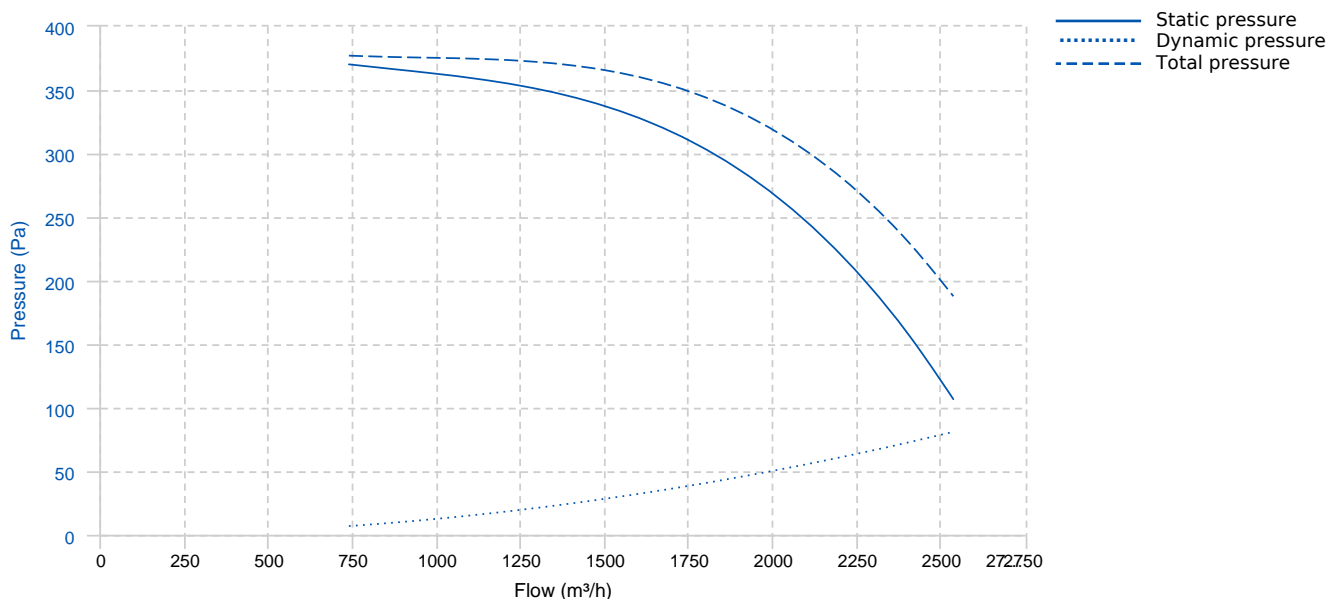
Designed for assembly in equipment:

- Ventilation boxes and air handling units.
- Centrifugal heaters.
- Industrial and professional kitchen hoods. Use in supply or extraction with prior fat filtering.
- Maximum working temperature: 50°C for single phase motors and 60°C for three phase motors.

UNDER REQUEST

- Impeller made of galvanized steel sheet.
- MBI assembled

PERFORMANCE CURVE

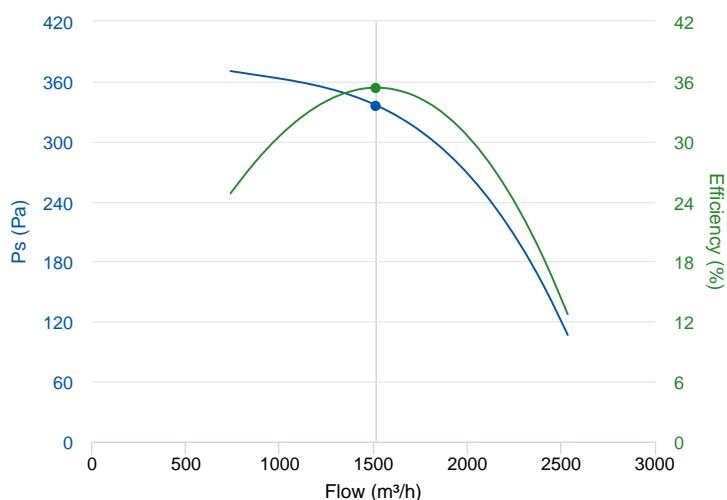


TECHNICAL DATA

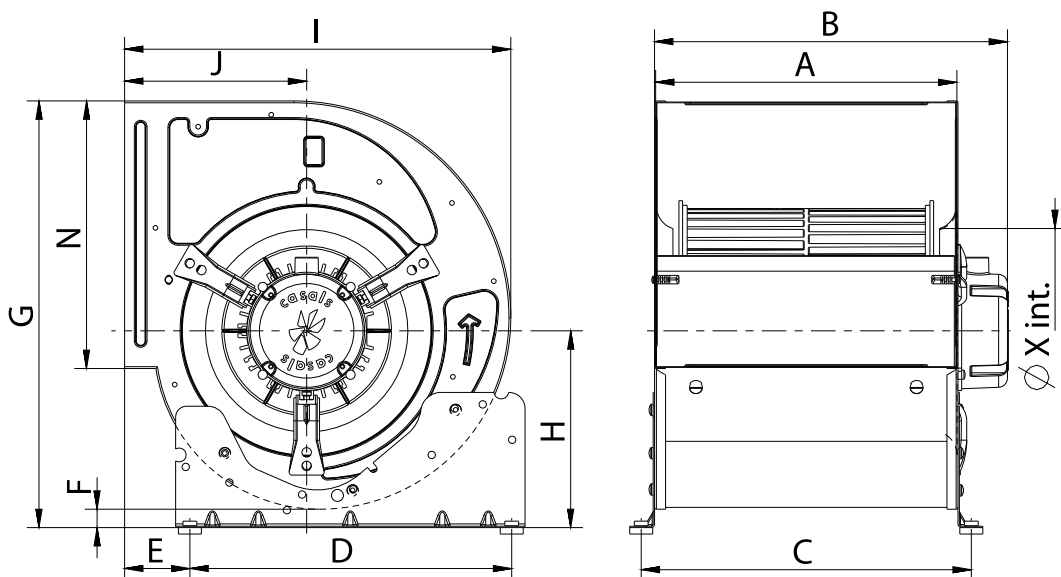
Fan							
RPM	1375	Approx. weight	15 kg	Max. Flow	2540 m ³ /h		
Motor							
Power	0,35 kW	RPM	1375	Capacitor	18μF 400V	I max. (230V)	2,7 A
Size	STC80	Approx. weight	6.4 kg	Efficiency (%)	71.8 %	FP	0.98

ERP DATA

Fan data sheet		
Fan type	Centrifugal fan radial or forward blades	
Installation category	A: Outlet and Inlet free discharge	
Efficiency category	Static	
The fan has to be installed with VF	No	
Motor power (kW)	0.35	
	Fan values	ERP Requirements 2015
Max. efficiency (%)	35.36	35.2
Efficiency grade (N)	44.16	44
Pabs (kW)	0.406	
Flow (m ³ /h)	1515.85	
Static pressure (Pa)	336.02	
Speed (m/s)	1375	
Specific ratio	1.00	



DIMENSIONS

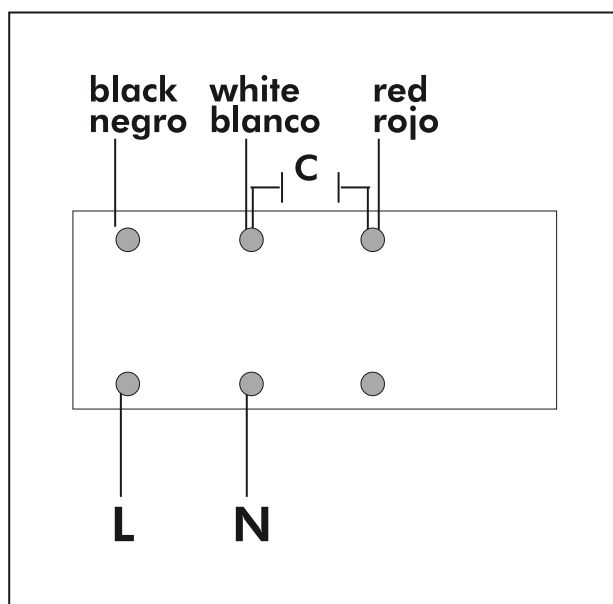


Dimensions (mm)

A	233	B màx	287	C	262	D	245	E	70
F	19	G	407	H	191	I	376	J	184
N	260	X	202						

WIRING DIAGRAM

SINGLE PHASE MOTOR MOTOR MONOFÁSICO



ACCESSORIES



**MANUAL SINGLE PHASE SPEED CONTROLLER
REG 3A**
REF: 960710030



**SAFETY SWITCH
INT 25 3P A**
REF: INT253PA



**OUTLET PROTECTION GUARD FOR FANS
RI 9/7**
REF: A-960000403



**PROTECTION GRID FOR BD FANS, MOTOR SIDE
RM 9 (T80)**
REF: A-960000803

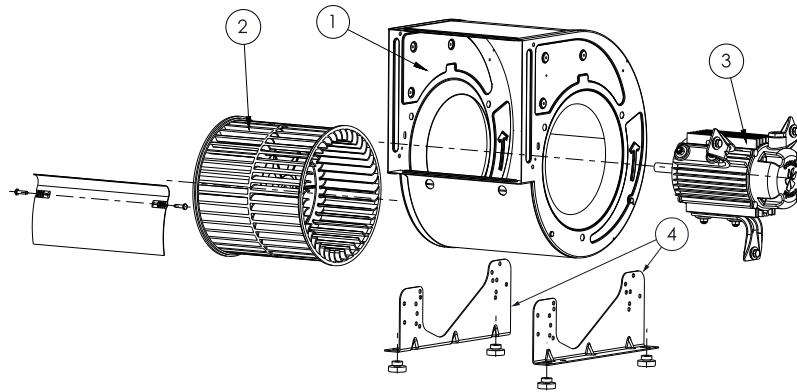


**INLET PROTECTION GUARD FOR CENTRIFUGAL
FANS
RA 9**
REF: A-960630100



**OUTLET FLANGE FOR BD AND BV FANS
MBI 9/7**
REF: A-251261691

SPARE PARTS



	Code	Model	Qty
1	R-251269421	CASING BD9/7	x1
2	R-251269381	TURBINE BD 9/7	x1
3	251279478	MOTOR+SUPPORTS BD9/7M4	x1
3	720331132	MOTOR BD M4 0,35kW 230V	x1
4	960500100	MOUNTING SUPPORT S 7/9	x1