

BOX BD 12/12 T6 1,1kW (251520153)

GENERAL DATA

CENTRIFUGAL IN SOUNDPROOF CABINET



MANUFACTURING FEATURES:

- Impellers made of polyamide reinforced with fiberglass up to size 33/33 (12/12). Rest of models made of galvanized steel sheet.
- BD range fans assembled in soundproof cabinets with thermo-acoustic insulation, Bs1d0 fire class on the supply pannel.
- Fan assembled on antivibration mountings.
- Connection gland included.
- Closed motors specially designed by Casals with extruded aluminum housing, which make the whole connection is protected within the integrated terminal box on the motor IP 65 protection and motor with IP54 protection and Class F insulation standard voltages: 230V 50Hz in single phase and 230/400V 50Hz three-phase.

APPLICATIONS:

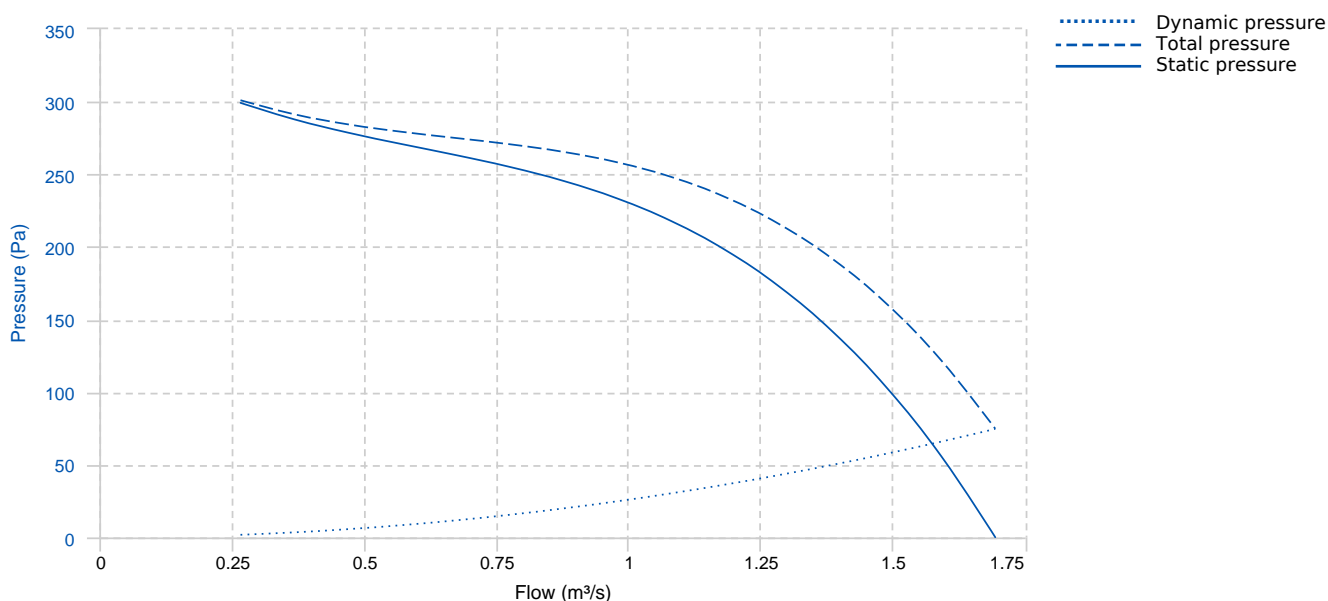
Designed for inline installation, indoor or outdoor assembly, they are suitable for:

- Air renewal in buildings and industries.
- Industrial and professional kitchen hoods. Use in supply or extraction with prior fat filtering.
- Maximum working temperature: 50°C.

UNDER REQUEST:

- LG0 position.
- Impellers made of galvanised steel sheet.
- 3 speed fans.

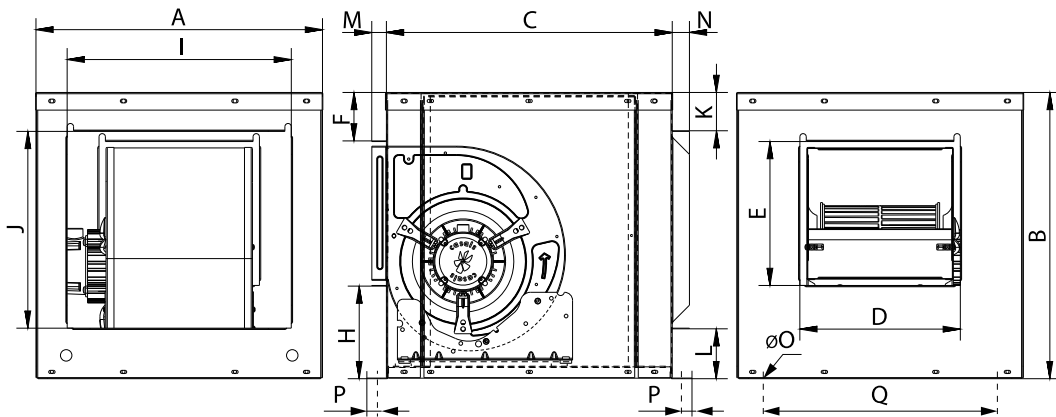
PERFORMANCE CURVE



TECHNICAL DATA

Fan							
RPM	945	Approx. weight	51 kg	Max. Flow	1.69 m ³ /s		
Motor							
Power	1,1 kW	RPM	945	I max. (230V)	6,54 A	I max. (400V)	3,78 A
Size	STC90	Approx. weight	10.6 kg	Efficiency (%)	78.1 %	FP	0.71

DIMENSIONS

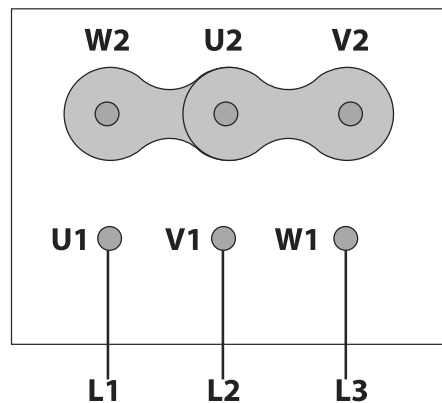
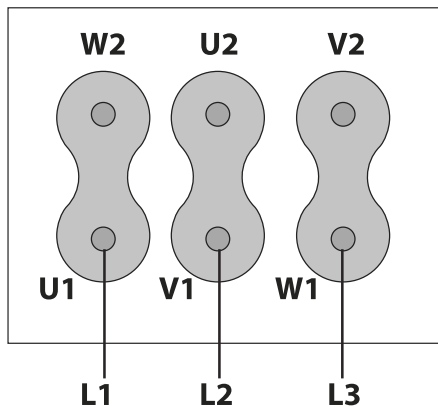


Dimensions (mm)									
A	650	B	650	C	650	D	408	E	349
F	83	H	216	I	576	J	500	K	65
L	83	M	23	N	27	O	10	P	17
Q	592,4								

WIRING DIAGRAM

230V

400V



ACCESSORIES



SAFETY SWITCH
INT 25 3P A
REF: INT253PA



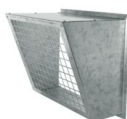
METALLIC GRAVITY SHUTTER FOR CABINET FANS. CERTIFIED 400°C/2H
PI 33/33 (12/12)
REF: 970330100



INLET BLIND COVER
TCA 9
REF: A-960001114



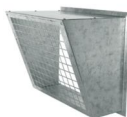
INLET/OUTLET ROUND COVER
TIAC 4 (OUT)
REF: 960001354



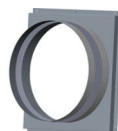
OUTDOOR FLANGE WITH BIRD GUARD
VIS OUT 12
REF: 960000052



INLET/OUTLET ROUND COVER
TIAC 15 (IN)
REF: 960001365



OUTDOOR FLANGE WITH BIRD GUARD
VIS IN 12
REF: 960000054



RECTANGULAR-CIRCULAR ANTI-VIBRATION FLANGE
BAC 4 (OUT 12/12)
REF: 960002954



RECTANGULAR-CIRCULAR ANTI-VIBRATION FLANGE
BAC 15 (IN BOX BD/BV 12/12)
REF: 960002965

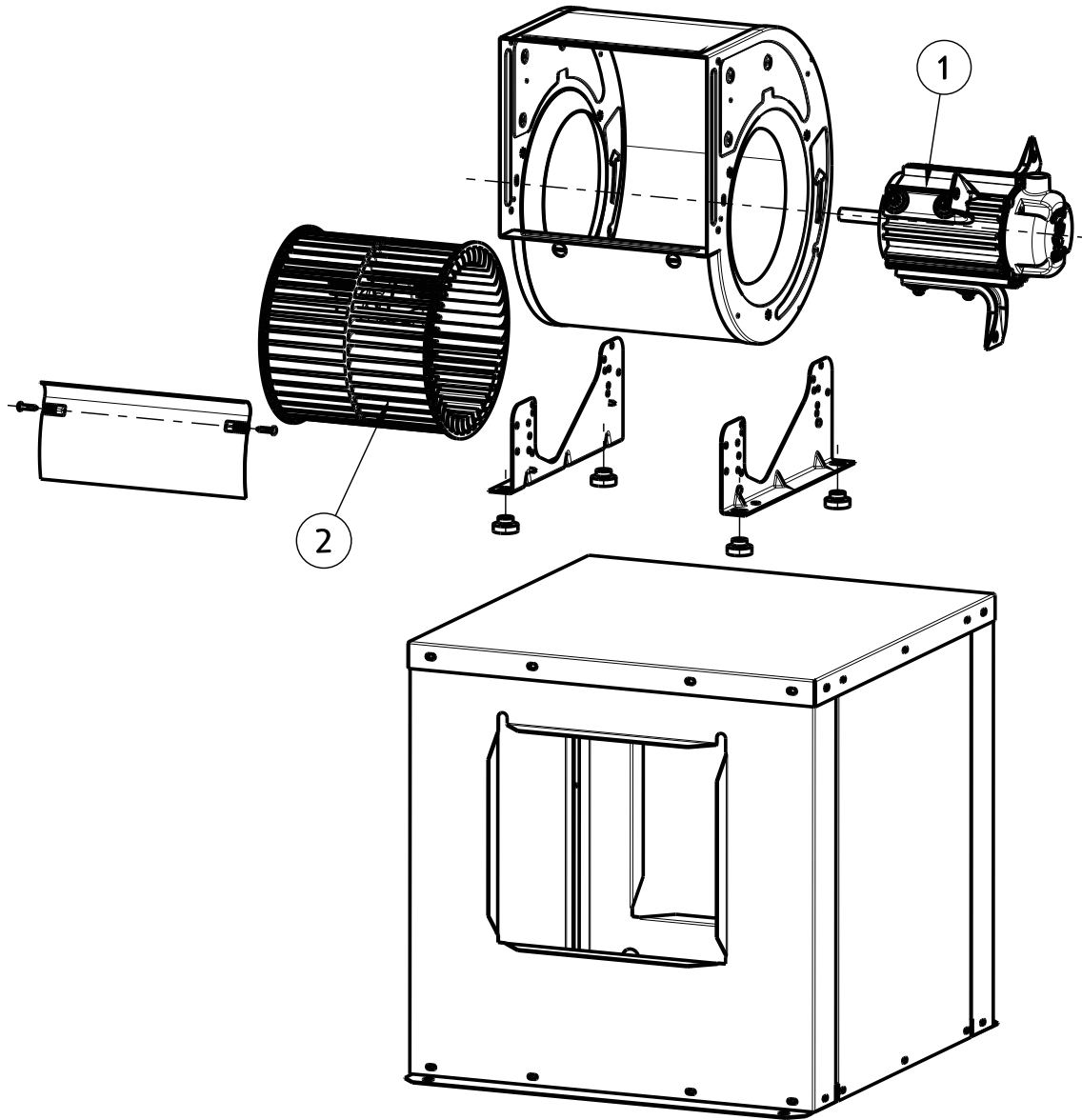


FREQUENCY SPEED CONTROLLER
SFC 230 I 7A *
REF: SFC230I007



FREQUENCY SPEED CONTROLLER
SFC 400 III 5A *
REF: SFC400III5

SPARE PARTS



	Code	Model	Qty
1	251529477	MOTOR+SUPPORTS BD33T6-1,5 M/C	x1
1	721081250	MOTOR BD T6 1,1kW 230/400V	x1
2	R-251529383	TURBINE PA6 BD12/12	x1