

## BOX BD PLUS 9/7 M4 0,35KW (251270450)

### GENERAL DATA



CENTRIFUGAL FAN IN SOUNDPROOF BOX WITH SANDWICH PANELS

#### MANUFACTURING FEATURES

- Impellers made of polyamide reinforced with fibreglass.
- BD range fans assembled in soundproof cabinets.
- Ventilation box with 30 mm aluminum profile structure, nylon corners, galvanized sandwich panels with internal insulation rockwool (25mm thickness) class A1 (non-combustible) of 90kg/m<sup>3</sup> density. All panels are equipped with "fastening system" for the quick assembly and disassembly whenever required, either for cleaning, maintenance or exchanging of panels.
- Connection gland included.
- Easy access through lateral panel.
- Fan can be placed in any position by exchanging panels.
- Closed motors specially designed by Casals. Extruded aluminium motor housing. Totally enclosed terminal box on the motor IP 65 protection and motor with IP54 protection and Class F insulation. Standard voltages 230V 50Hz for single phase and 230/400V 50Hz for three phase motors.

#### APPLICATIONS

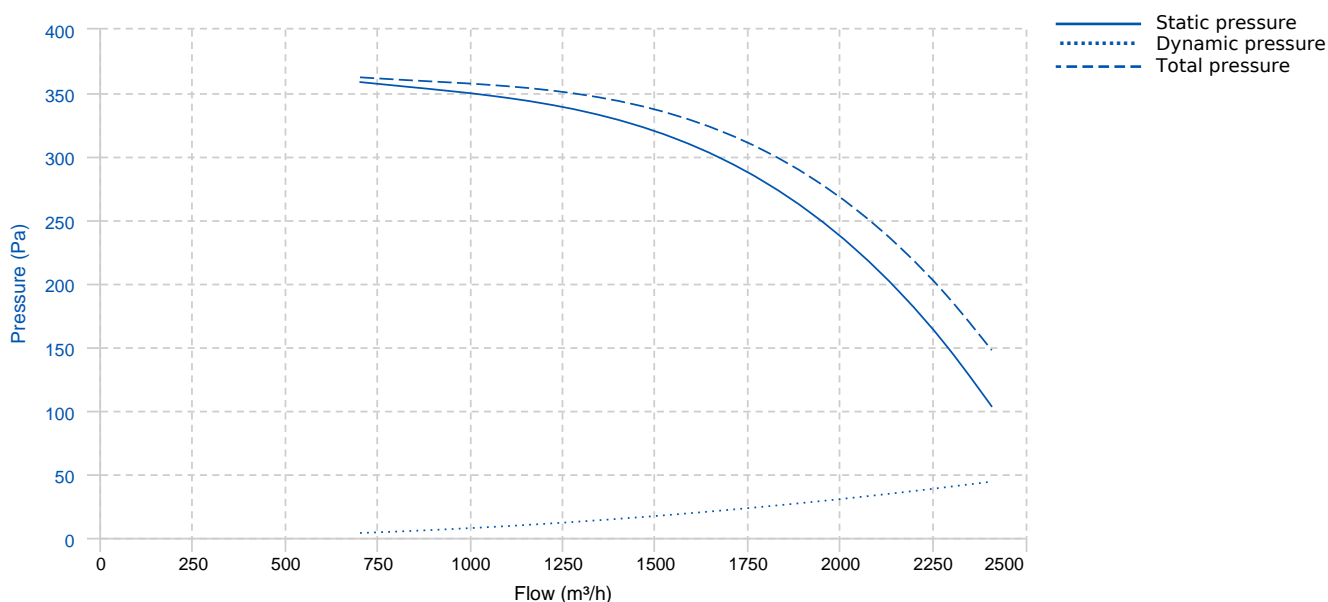
Designed for inline installation, indoor or outdoor assembly, they are suitable for:

- Air renewal in buildings and industries.
- Maximum working temperature: 50°C.

#### UNDER REQUEST

- 3 speed fans.
- Impeller made of galvanized sheet.
- Rectangular outlet flange.

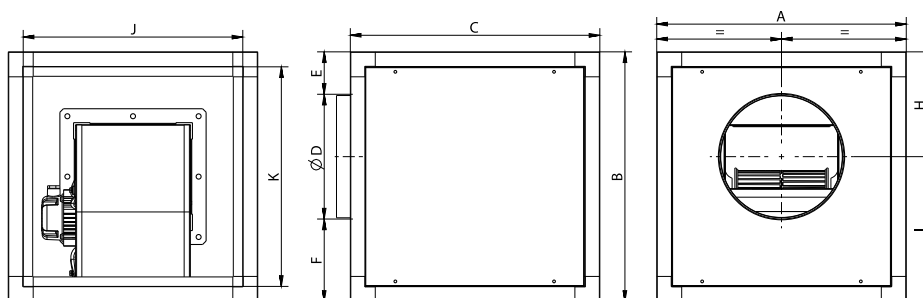
### PERFORMANCE CURVE



## TECHNICAL DATA

Fan							
RPM	1375	Approx. weight	32 kg	Max. Flow	2410 m <sup>3</sup> /h		
Motor							
Power	0,35 kW	RPM	1375	Capacitor	18μF 400V	I max. (230V)	2,7 A
Size	STC80	Approx. weight	6.4 kg	Efficiency (%)	71.8 %	FP	0.98

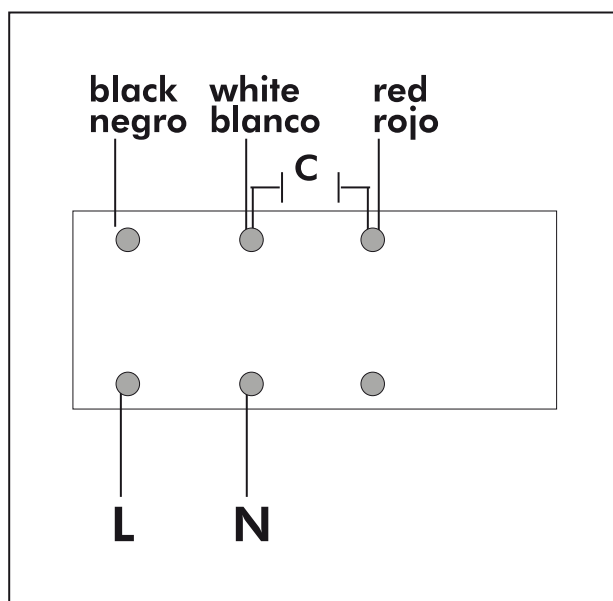
## DIMENSIONS



Dimensions (mm)									
A	550	B	550	C	550	D	315	E	87,5
F	147,5	H	245	I	305	J	490	K	490

## WIRING DIAGRAM

### SINGLE PHASE MOTOR MOTOR MONOFÁSICO



## ACCESSORIES



**MANUAL SINGLE PHASE SPEED CONTROLLER  
REG 3A**  
REF: 960710030



**SAFETY SWITCH  
INT 25 3P A**  
REF: INT253PA



**WEATHER PROTECTIVE ROOF FOR VENTILATION  
BOXES  
TEJ BOX BD PLUS 9/9**  
REF: 251281012



**EXTERNAL BOX FILTER  
BOX FILTER 550x550x300**  
REF: 251288471



**CELL FILTER WITH GALVANIZED FRAME  
FILT ISO Coarse  $\geq 60\%$  (488x440x48) PREFILTRO  
MARCO CHAPA**  
REF: FILTG04015



**HIGH EFFICIENCY, RIGID AND COMPACT FILTER  
FILT ePM1  $\geq 50\%$  (488x440x48) ALTA EFIC. PANEL  
MINIPLEGADO**  
REF: FILTF07027



**HIGH EFFICIENCY, RIGID AND COMPACT FILTER  
FILT ePM1  $\geq 80\%$  (488x440x48) ALTA EFIC. PANEL  
MINIPLEGADO**  
REF: FILTF09025

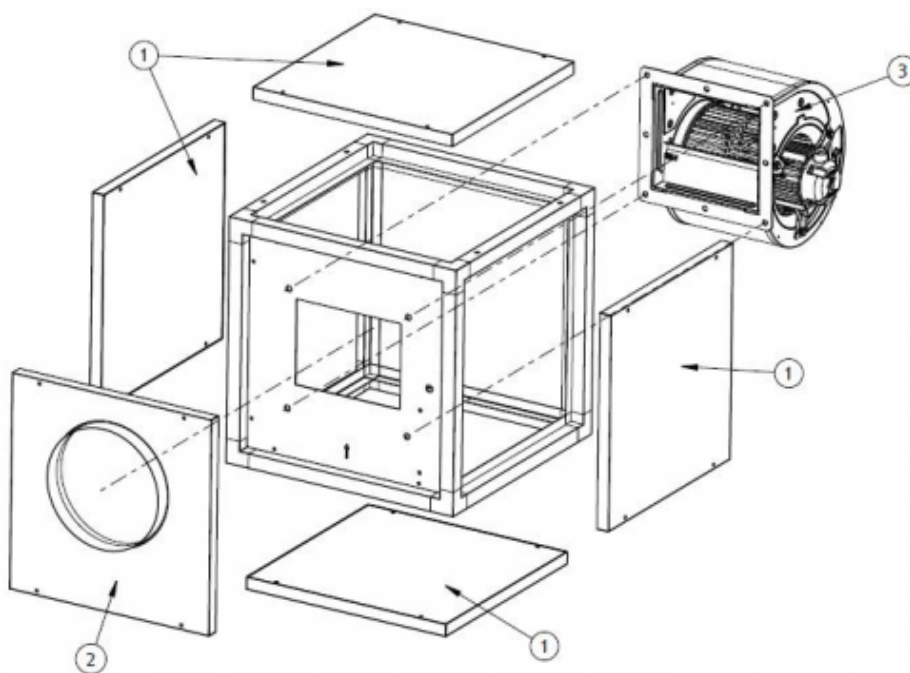


**INLET/OUTLET ROUND COVER  
TIAC BOX BD/BV PLUS 9/7 (Ø315)**  
REF: 251261932R



**CIRCULAR OUTDOOR FLANGE WITH BIRD GUARD  
VISC Ø315**  
REF: FX0050065

## SPARE PARTS



	Code	Model	Qty
1	R-251281931R	PANNEL BOX BD-BV PLUS 9/9	x4
2	R-251268901R	CIRCULAR CONNECTION BOX BD PLUS 9/7 (Ø315)	x1



	Code	Model	Qty
3	251270260A002	FAN BD 9/7 M4 0,35KW+MBI	x1