

BOX BD PLUS 9/9 M4 0,35kW (251220450)

GENERAL DATA



CENTRIFUGAL FAN IN SOUNDPROOF BOX WITH SANDWICH PANELS

MANUFACTURING FEATURES

- Impellers made of polyamide reinforced with fibreglass.
- BD range fans assembled in soundproof cabinets.
- Ventilation box with 30 mm aluminum profile structure, nylon corners, galvanized sandwich panels with internal insulation rockwool (25mm thickness) class A1 (non-combustible) of 90kg/m³ density. All panels are equipped with "fastening system" for the quick assembly and disassembly whenever required, either for cleaning, maintenance or exchanging of panels.
- Connection gland included.
- Easy access through lateral panel.
- Fan can be placed in any position by exchanging panels.
- Closed motors specially designed by Casals. Extruded aluminium motor housing. Totally enclosed terminal box on the motor IP 65 protection and motor with IP54 protection and Class F insulation. Standard voltages 230V 50Hz for single phase and 230/400V 50Hz for three phase motors.

APPLICATIONS

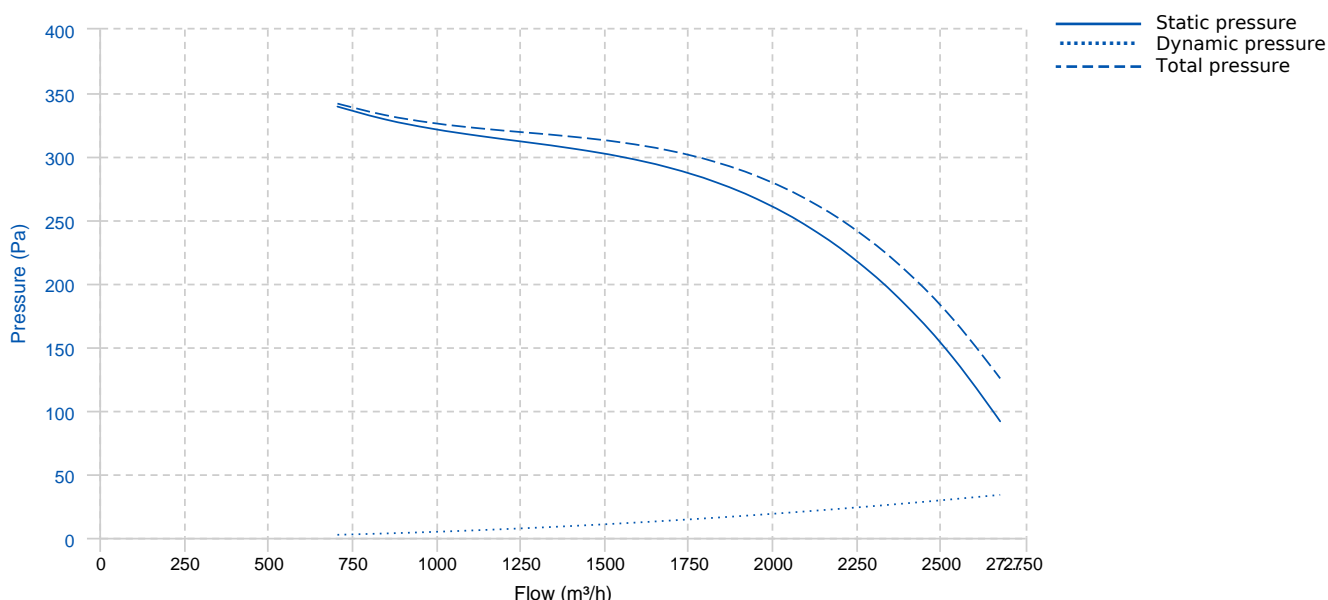
Designed for inline installation, indoor or outdoor assembly, they are suitable for:

- Air renewal in buildings and industries.
- Maximum working temperature: 50°C.

UNDER REQUEST

- 3 speed fans.
- Impeller made of galvanized sheet.
- Rectangular outlet flange.

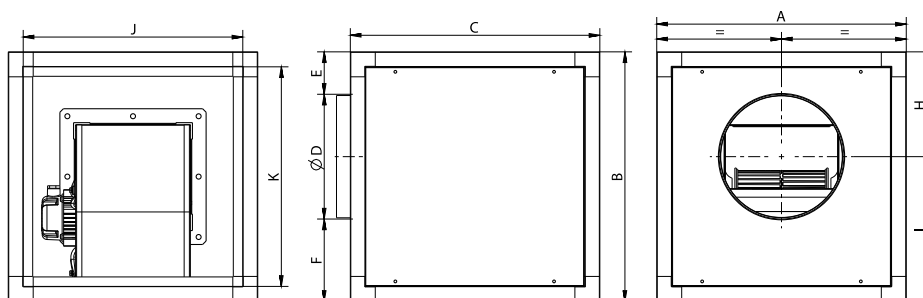
PERFORMANCE CURVE



TECHNICAL DATA

Fan							
RPM	1375	Approx. weight	33 kg	Max. Flow	2680 m ³ /h		
Motor							
Power	0,35 kW	RPM	1375	Capacitor	18μF 400V	I max. (230V)	2,7 A
Size	STC80	Approx. weight	6.4 kg	Efficiency (%)	71.8 %	FP	0.98

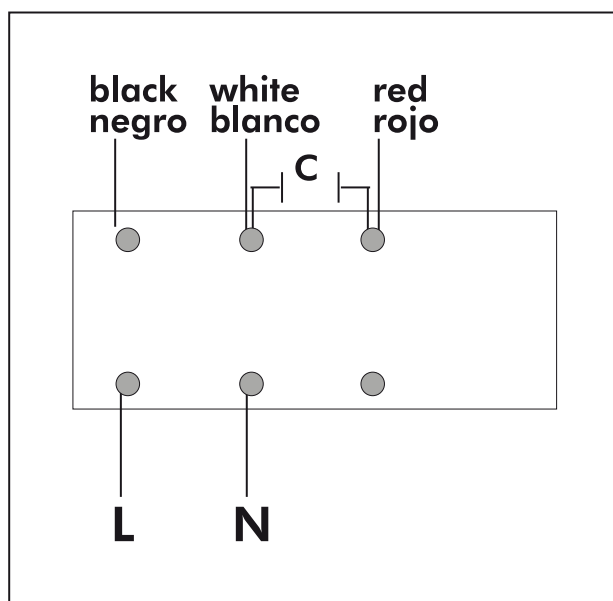
DIMENSIONS



Dimensions (mm)									
A	550	B	550	C	550	D	355	E	57,5
F	137,5	H	235	I	315	J	490	K	490

WIRING DIAGRAM

SINGLE PHASE MOTOR MOTOR MONOFÁSICO



ACCESSORIES



MANUAL SINGLE PHASE SPEED CONTROLLER
REG 3A
REF: 960710030



SAFETY SWITCH
INT 25 3P A
REF: INT253PA



WEATHER PROTECTIVE ROOF FOR VENTILATION BOXES
TEJ BOX BD PLUS 9/9
REF: 251281012



EXTERNAL BOX FILTER
BOX FILTER 550x550x300
REF: 251288471



CELL FILTER WITH GALVANIZED FRAME
FILT ISO Coarse \geq 60% (488x440x48) PREFILTRO
MARCO CHAPA
REF: FILTG04015



HIGH EFFICIENCY, RIGID AND COMPACT FILTER
FILT ePM1 \geq 50% (488x440x48) ALTA EFIC. PANEL
MINIPLGADO
REF: FILTF07027



HIGH EFFICIENCY, RIGID AND COMPACT FILTER
FILT ePM1 \geq 80% (488x440x48) ALTA EFIC. PANEL
MINIPLGADO
REF: FILTF09025

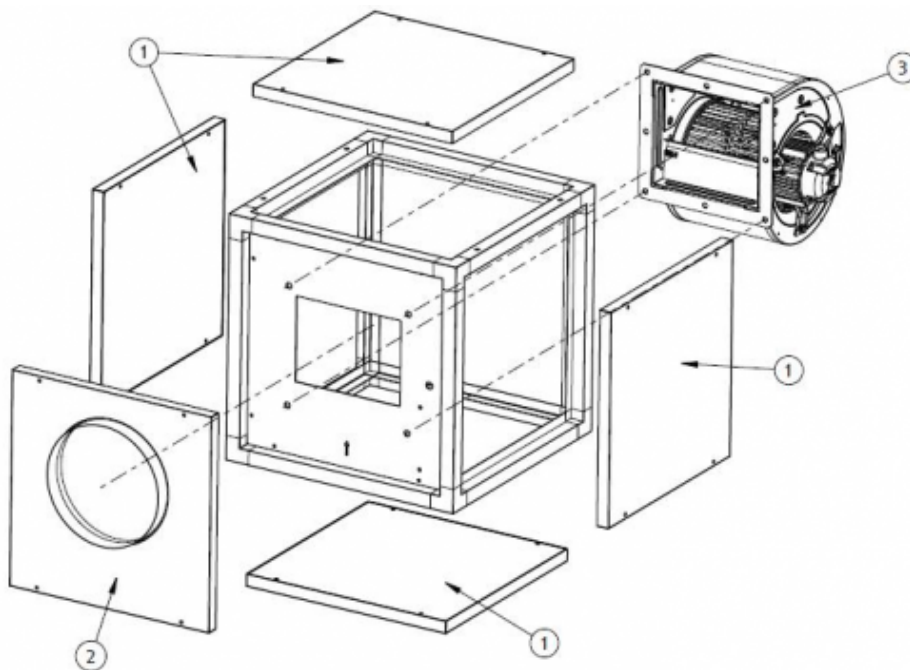


INLET/OUTLET ROUND COVER
TIAC BOX BD/BV PLUS 9/9 (Ø355)
REF: 251281932R



CIRCULAR OUTDOOR FLANGE WITH BIRD GUARD
VISC Ø355
REF: FX0050066

SPARE PARTS



	Code	Model	Qty
1	R-251281931R	PANNEL BOX BD-BV PLUS 9/9	x4
2	R-251288901R	CIRCULAR CONNECTION BOX BD PLUS 9/9 (Ø355)	x1



	Code	Model	Qty
3	251220260A002	FAN BD 9/9 M4 0,35kW+MBI	x1