

## BT-3 100 EEC (510310000)

### GENERAL DATA



#### CENTRIFUGAL FAN IN STEEL CASING WITH ELECTRIC MOTOR EEC

##### MANUFACTURING FEATURES

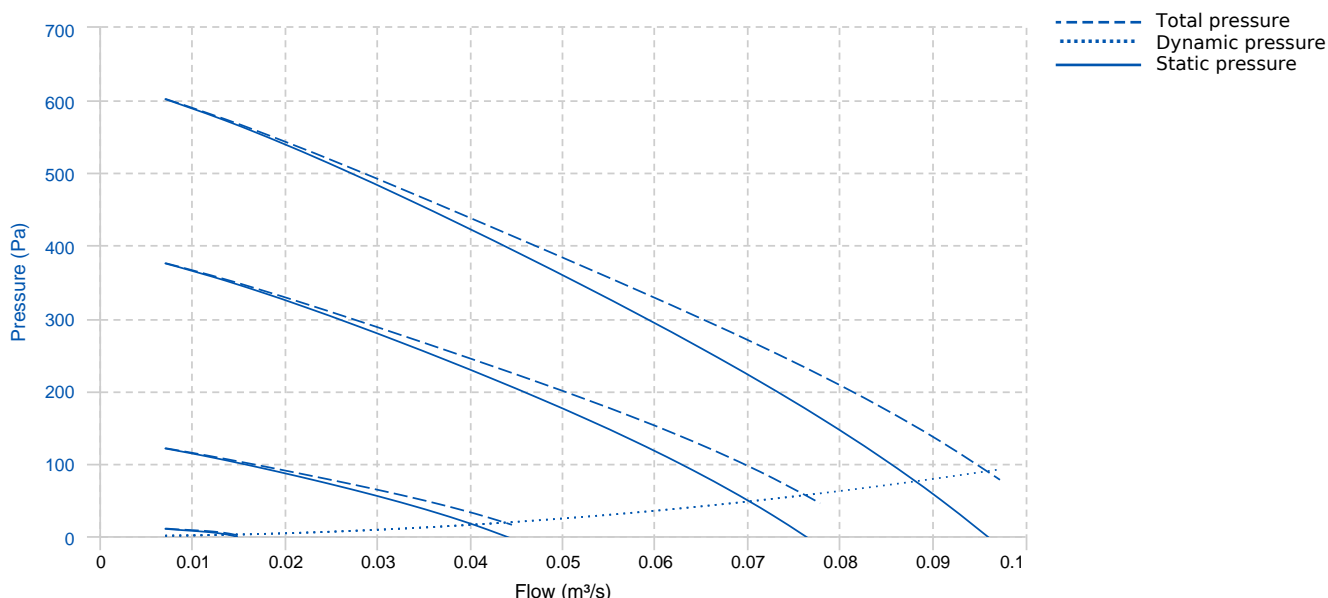
- Casing made of polymer coated steel, totally air tightness for outdoor installation.
- EC motors enable integration of several fans into a unified networks and their centralized control.
- Backward impeller with high efficient electronically commutated (EC) direct current motor with external rotor. Turbine is dynamically balanced while assembly.
- Motors are equipped with ball bearings for longer service life of the fan (40.000 hours). IP 44 motor protection index.

##### APPLICATIONS

- Designed for supply and exhaust ventilation and air conditioning systems for various premises requiring cost-effective solution and controllable ventilation.
- Inside or outside duct installation.
- EC motors reduce energy demand by about 35% and ensure high aerodynamic performance and low noise level. Specially designed for ventilation of public premises such as:
  - banks
  - supermarkets
  - restaurants
  - hotels

·Its use is also contemplated in installations close to residential buildings and for domestic applications, such as the ventilation of private swimming pools.

### PERFORMANCE CURVE



## TECHNICAL DATA

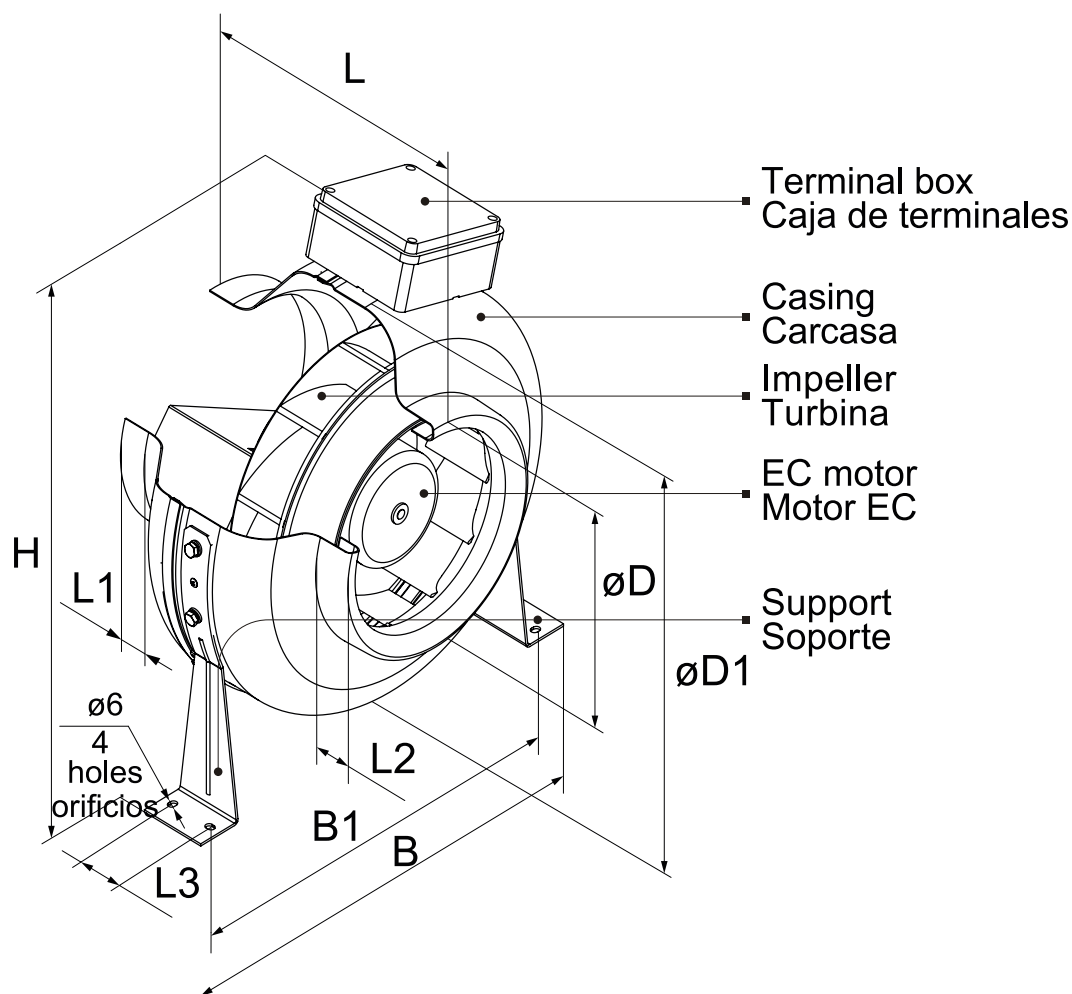
### Fan

|                |        |           |                       |
|----------------|--------|-----------|-----------------------|
| Approx. weight | 3.2 kg | Max. Flow | 0.1 m <sup>3</sup> /s |
|----------------|--------|-----------|-----------------------|

### Motor

|       |         |     |      |               |       |
|-------|---------|-----|------|---------------|-------|
| Power | 0.09 kW | RPM | 3600 | I max. (230V) | 0,7 A |
|-------|---------|-----|------|---------------|-------|

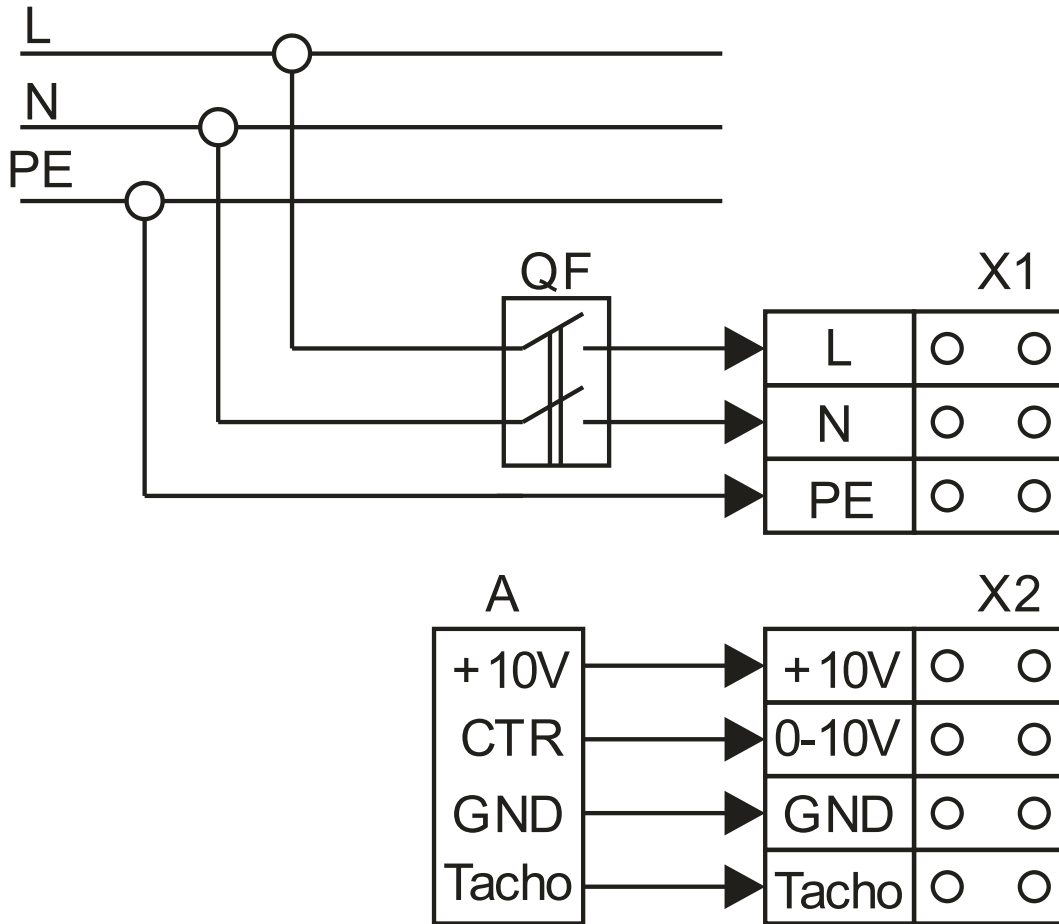
## DIMENSIONS



### Dimensions (mm)

|    |     |    |     |    |     |     |     |    |    |
|----|-----|----|-----|----|-----|-----|-----|----|----|
| B  | 310 | B1 | 270 | H  | 340 | L   | 203 | L1 | 20 |
| L2 | 25  | L3 | 30  | ØD | 98  | ØD1 | 255 |    |    |

## WIRING DIAGRAM



## ACCESSORIES



**SAFETY SWITCH**  
INT 25 3P A  
REF: INT253PA



**ANTI-VIBRATION JOINT**  
JE 45  
REF: A-300719201



**SPEED CONTROLLER FOR EEC MOTOR**  
REGC  
REF: FX263300



**DOMESTIC GRAVITY SHUTTER**  
PSD-2 100  
REF: 300925900



**CIRCULAR SOUND ATTENUATOR IN GALVANISED STEEL**  
SILC-MINI 100  
REF: SILCM100