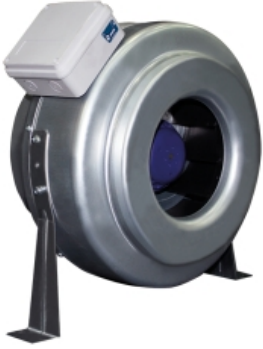


BT-3 100 (509810000)

GENERAL DATA



CENTRIFUGAL IN LINE WITH EXTERNAL ROTOR MOTOR

MANUFACTURING FEATURES:

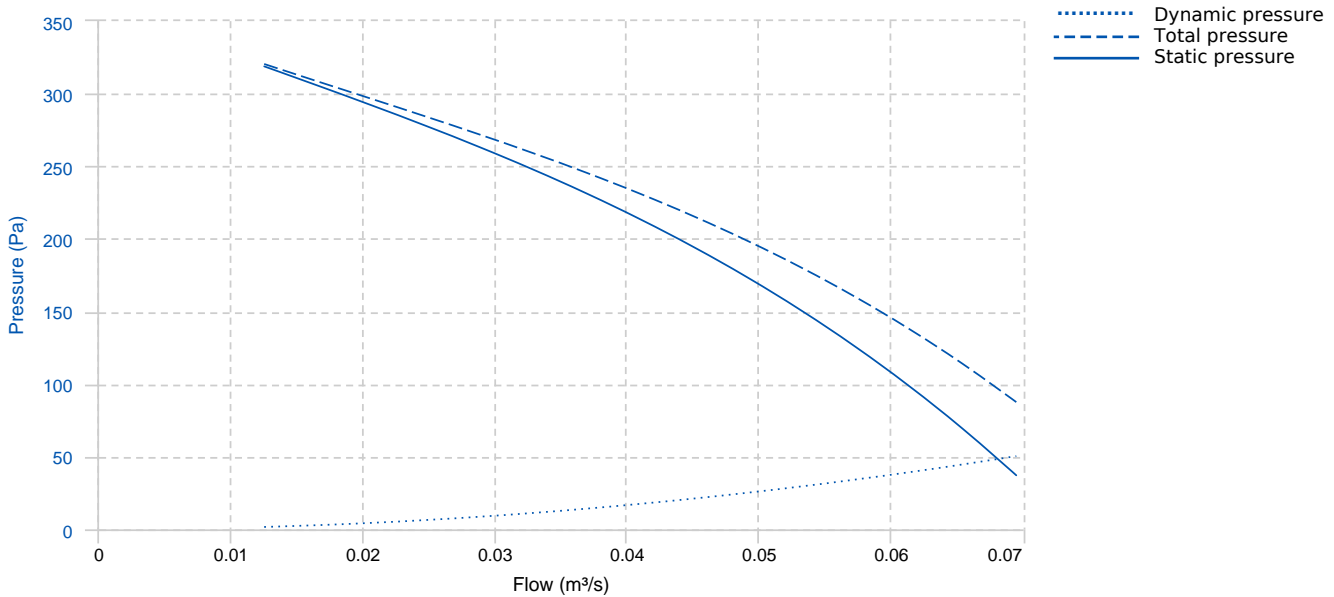
- Housing in galvanized sheet.
- Backward impeller dynamically balanced.
- External connection box.
- Single-phase asynchronous motor with external rotor, including thermal protector for automatic resetting and long-life permanent lubrication ball bearings (40,000 hours). Protection IP-44. Standard voltage 230V 50/60Hz (except 315 size which has different motor at 50Hz than 60Hz)
- Supplied with support feet (optional mounting)

APPLICATIONS:

Designed for duct installation, suitable for false ceiling, are indicated for:

- Renovation of air in bathrooms and small rooms.
- Maximum continuous working temperature: 50°C.
- Fan not suitable for transporting explosive gases.

PERFORMANCE CURVE



TECHNICAL DATA

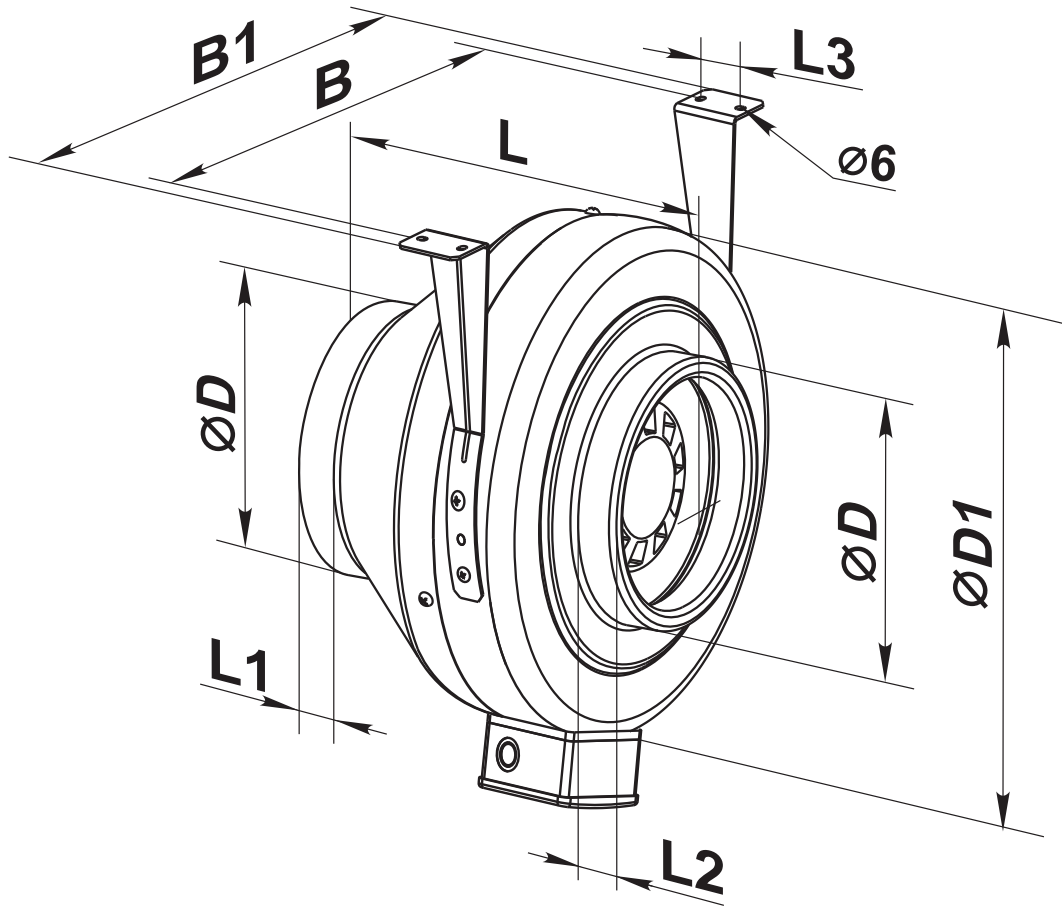
Fan

RPM	2820	Approx. weight	2.7 kg	Max. Flow	0.07 m³/s
-----	------	----------------	--------	-----------	-----------

Motor

Power	0,072 kW	RPM	2820	I max. (230V)	0,32 A
-------	----------	-----	------	---------------	--------

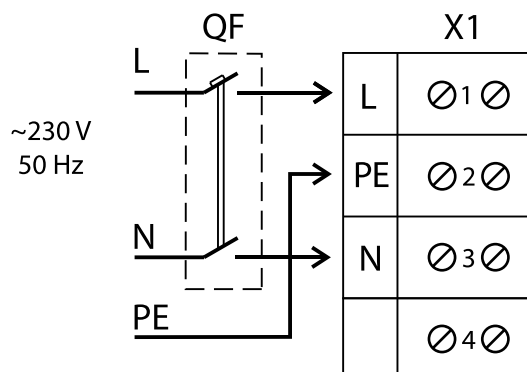
DIMENSIONS



Dimensions (mm)

B	253	B1	293	L	202	L1	23	L2	22
L3	30	ØD	98	ØD1	237				

WIRING DIAGRAM



ACCESSORIES



**MANUAL SINGLE PHASE SPEED CONTROLLER
REG 1,5A
REF: 960710015**



**SAFETY SWITCH
INT 25 3P A
REF: INT253PA**



**ANTI-VIBRATION JOINT
JE 45
REF: A-300719201**



**MANUAL SINGLE PHASE SPEED CONTROLLER
REGD-1
REF: 300782600**



**CIRCULAR SOUND ATTENUATOR IN GALVANISED
STEEL
SILC-MINI 100
REF: SILCM100**