

## BT-3 200 EEC (510320000)

### GENERAL DATA



#### CENTRIFUGAL FAN IN STEEL CASING WITH ELECTRIC MOTOR EEC

##### MANUFACTURING FEATURES

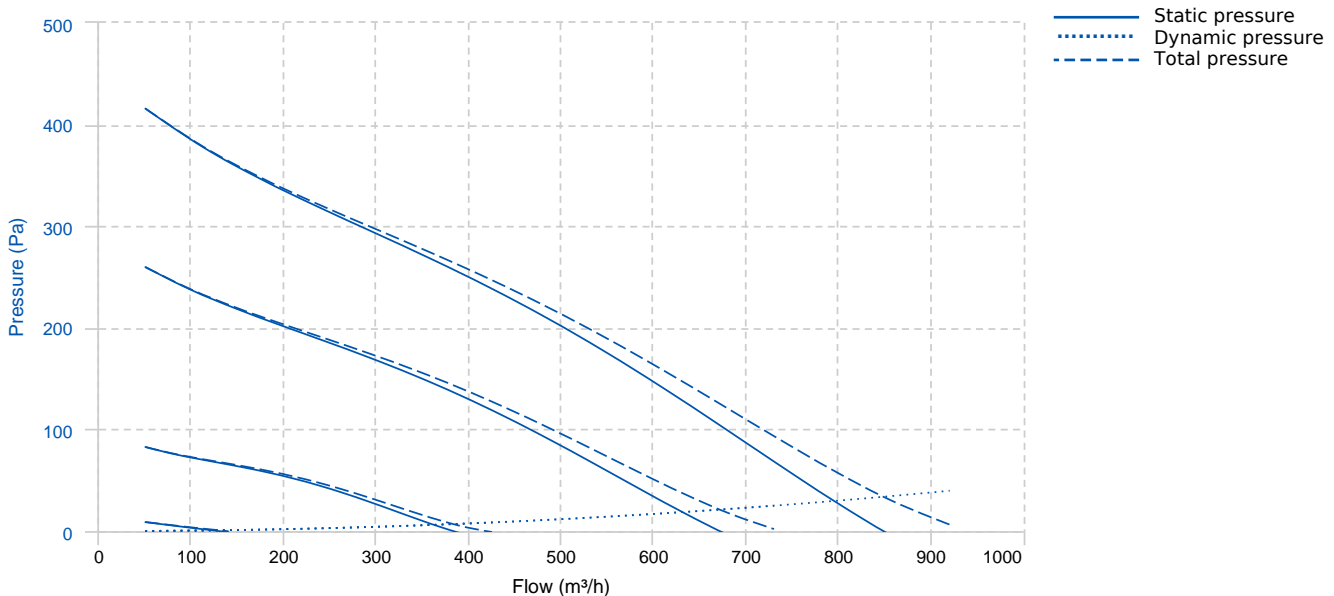
- Casing made of polymer coated steel, totally air tightness for outdoor installation.
- EC motors enable integration of several fans into a unified networks and their centralized control.
- Backward impeller with high efficient electronically commutated (EC) direct current motor with external rotor. Turbine is dynamically balanced while assembly.
- Motors are equipped with ball bearings for longer service life of the fan (40.000 hours). IP 44 motor protection index.

##### APPLICATIONS

- Designed for supply and exhaust ventilation and air conditioning systems for various premises requiring cost-effective solution and controllable ventilation.
- Inside or outside duct installation.
- EC motors reduce energy demand by about 35% and ensure high aerodynamic performance and low noise level. Specially designed for ventilation of public premises such as:
  - banks
  - supermarkets
  - restaurants
  - hotels

·Its use is also contemplated in installations close to residential buildings and for domestic applications, such as the ventilation of private swimming pools.

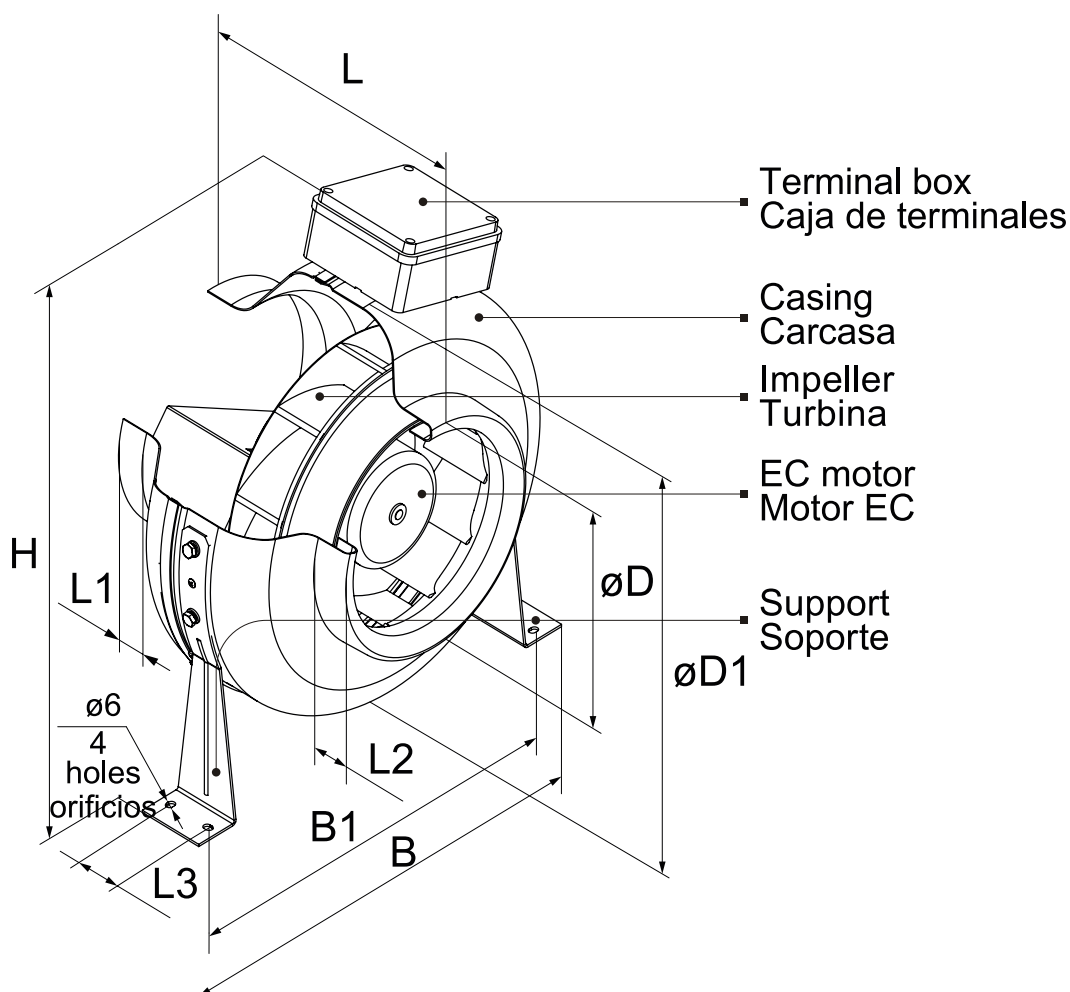
### PERFORMANCE CURVE



## TECHNICAL DATA

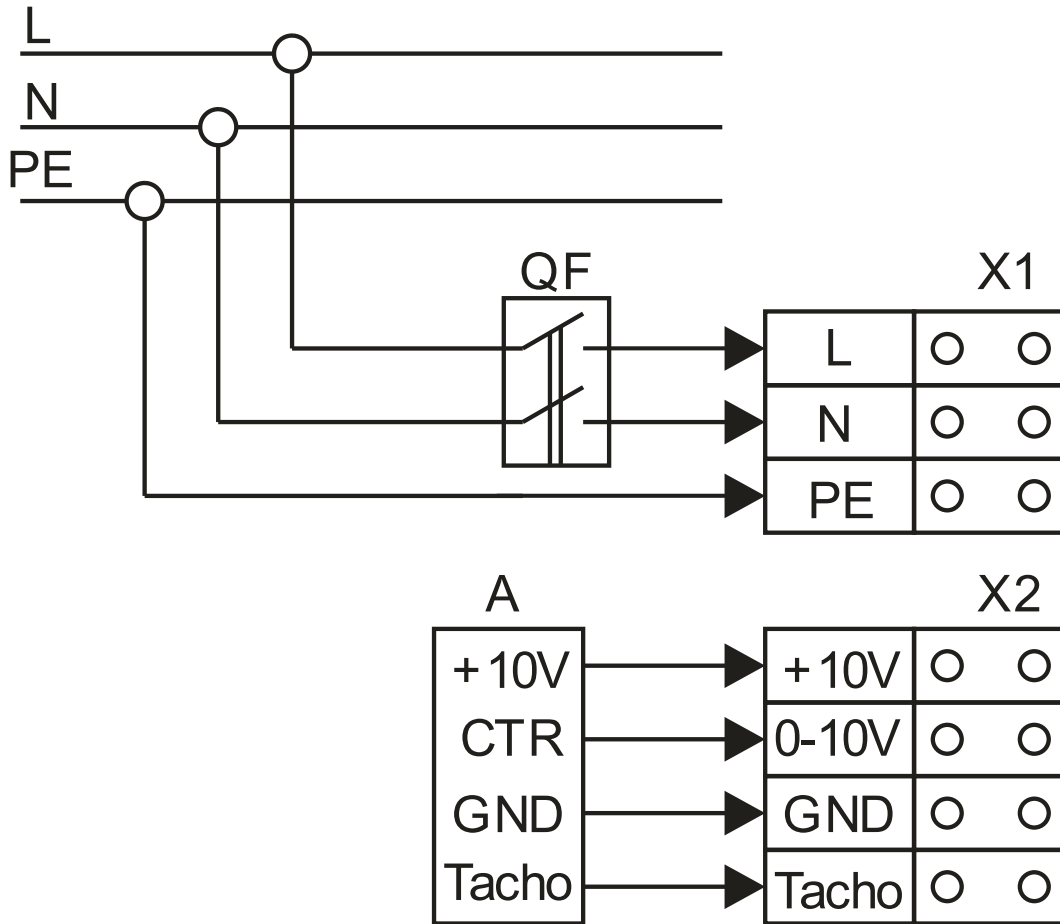
Fan					
Approx. weight	5.1 kg	Max. Flow	845 m <sup>3</sup> /h		
Motor					
Power	8. 3000000000000 004E-2 kW	RPM	2500	I max. (230V)	0,63 A

## DIMENSIONS



Dimensions (mm)									
B	395	B1	355	H	435	L	245	L1	25
L2	30	L3	40	ØD	198	ØD1	345		

## WIRING DIAGRAM



## ACCESSORIES



**SAFETY SWITCH**  
INT 25 3P A  
REF: INT253PA



**ANTI-VIBRATION JOINT**  
JE 45  
REF: 300719201



**SPEED CONTROLLER FOR EEC MOTOR**  
REGC  
REF: FX263300



**CIRCULAR SOUND ATTENUATOR IN GALVANISED STEEL**  
SILC-MINI 200  
REF: SILCM200