

BT ROOF 2 315 SB (509303150)

GENERAL DATA

BT ROOF 2 SB



BT ROOF 2 SBP

CENTRIFUGAL ROOF FAN WITH BACKWARD IMPELLER.HORIZONTAL DISCHARGE

MANUFACTURING FEATURES:

- Fan casing made of steel.
- Housing protected with polyester finishing coat.
- Electrical connection in external box.
- Backward impeller with self-cleaning system, directly coupled.
- Variable speed by voltage.
- Asynchronous external rotor with thermal protector. IP-54 protection. Standard voltages single phase motor 230V 50/60Hz (except 315 model which has different motor for 50 and 60Hz).

APPLICATIONS

Specially designed for roof installation, they are suitable for:

- Air renewal in bathrooms and small closed environments.
- Maximum working temperature: 50°C.

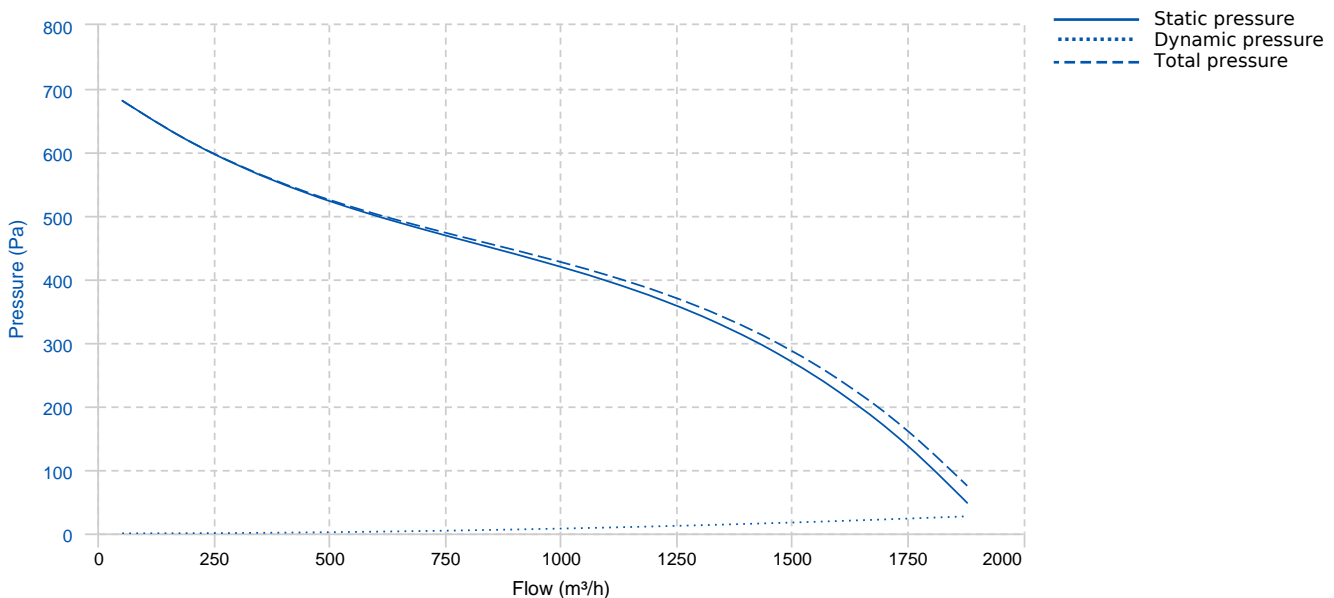
VERSIONS

BT ROOF 2 SB : Without flanges on the base

BT ROOF 2 SBP : With flanges on the base

*until stock lasts

PERFORMANCE CURVE



TECHNICAL DATA

Fan

RPM

-

Approx. weight

11.6 kg

Max. Flow

1880 m³/h

Motor

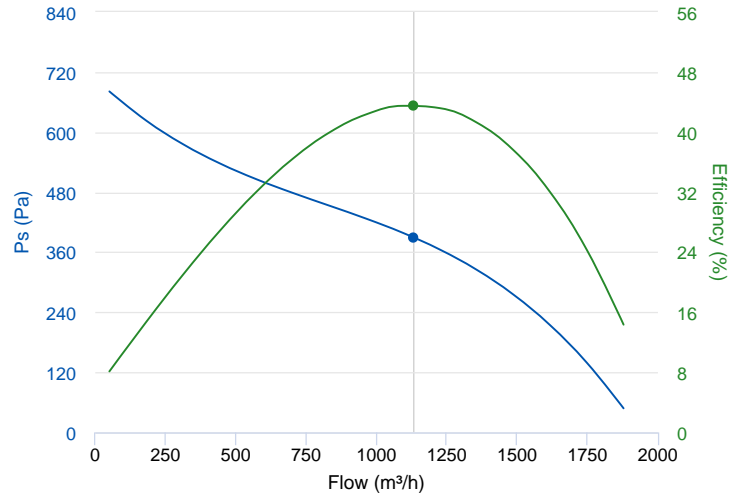
RPM	0	I max. (230V)	1,34 A
-----	---	---------------	--------

ERP DATA

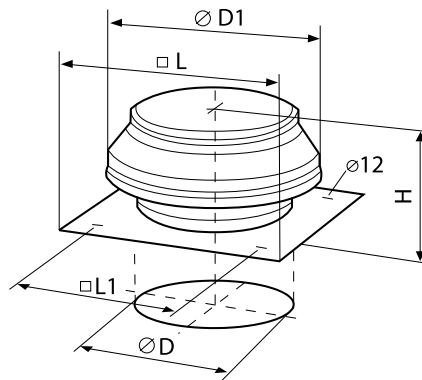
Fan data sheet

Fan type	Unit for non-residential ventilation (LOT 6)
Typology	Unidirectional
reports.other	None
Type of driver	None
Motor power (kW)	

	Fan values	ERP Requirements 2018
Max. efficiency (%)	43.56	34.44
Effic. Heat recovery (%)	-	
Pabs (kW)	0.296	
Flow (m³/h)	1133.43	
Static pressure (Pa)	389.24	
Speed (m/s)	4.04	
SFP (W/m3/s)	938.87	



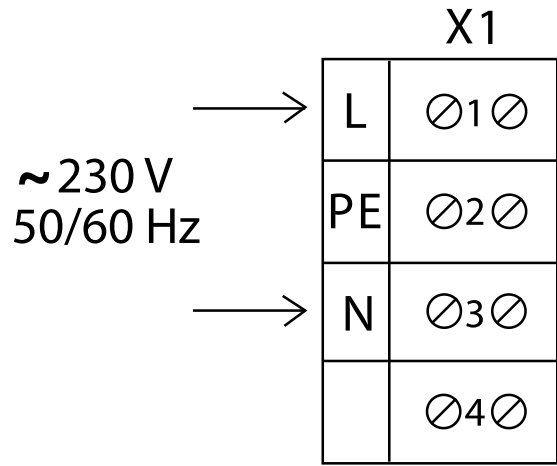
DIMENSIONS



Dimensions (mm)

H	269	L	590	L1	450	ØD	315	ØD1	500
---	-----	---	-----	----	-----	----	-----	-----	-----

WIRING DIAGRAM



ACCESSORIES



MANUAL SINGLE PHASE SPEED CONTROLLER
REG 1,5A
REF: 960710015



SAFETY SWITCH
INT 25 3P A
REF: INT253PA



CIRCULAR SOUND ATTENUATOR IN GALVANISED STEEL
SILC-MINI 315
REF: SILCM315



CONSTANT PRESSURE FAN CONTROL
REG FILTER
REF: REGFILT