

## HC 35 T4 (A0:6)

### GENERAL DATA



#### SHORT CASE VARIABLE PITCH BLADES FAN

#### MANUFACTURING FEATURES:

- Plate axial fan with circular reinforced frame.
- Motor-impeller modular assembly for complete versatility.
- Polyester powder finishing coat.
- Standard asynchronous squirrel-cage motor with IP-55 protection and Class F insulation. Manufactured with standard voltages: 230V 50Hz in single phase motors and 230/400V 50Hz in three phase motors up to 4kW and 400/690V 50Hz for higher powers.
- HC: Polypropylene impeller (A2 profile) or polyamide impeller reinforced with fibreglass (other profiles) with variable pitch angle.
- HCA: Cast aluminum impeller with variable pitch angle.

#### APPLICATIONS:

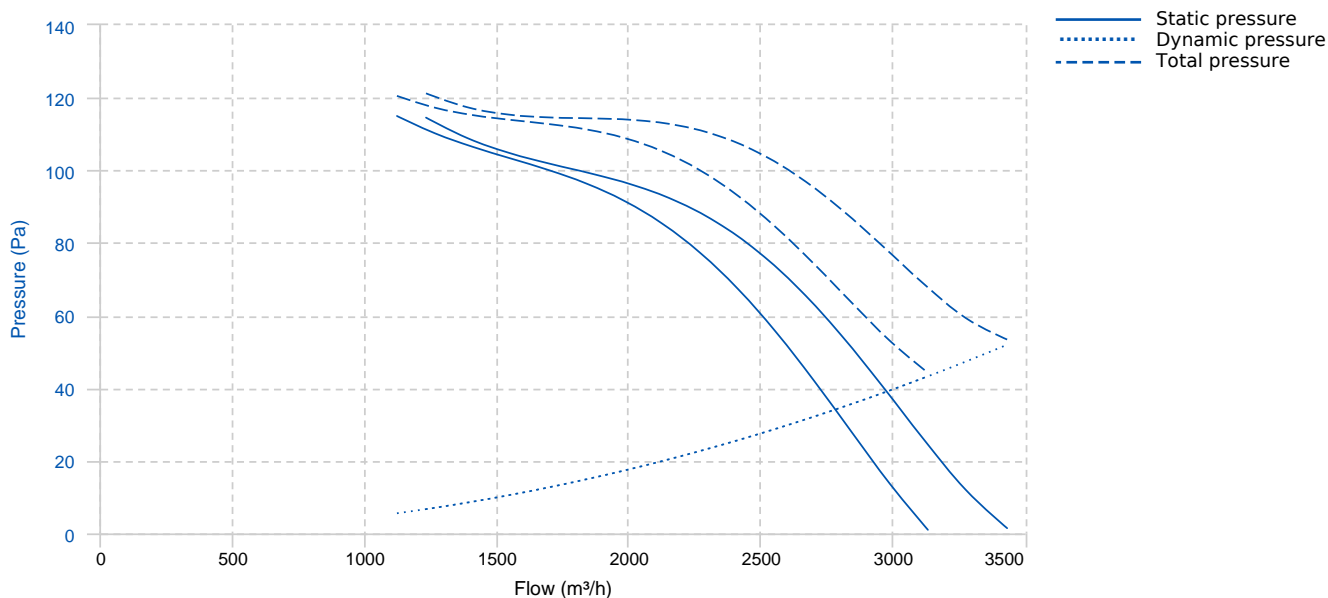
Designed for wall or duct installation, they are suitable for:

- Air renewal in buildings and industries.
- Smoke exhaust (maximum 50-60°C).
- Maximum working temperature: 50°C single phase, 60°C three phase.

#### UNDER REQUEST:

- Supply impeller (air direction from impeller to motor), 100% reversible impeller.
- 60Hz fans and special voltages.
- Hot-dipped galvanized or stainless steel housing.
- Optional can be adapted an square plate to the frame, to transform it in an axial square frame version fan.

### PERFORMANCE CURVE



### TECHNICAL DATA

#### Fan

RPM

-

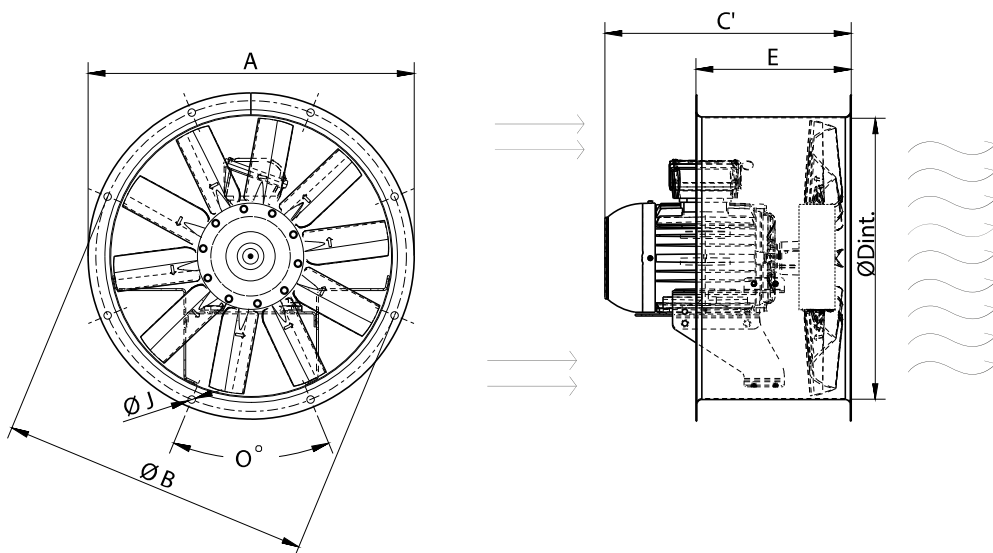
Approx. weight

-

Max. Flow

3440 m³/h

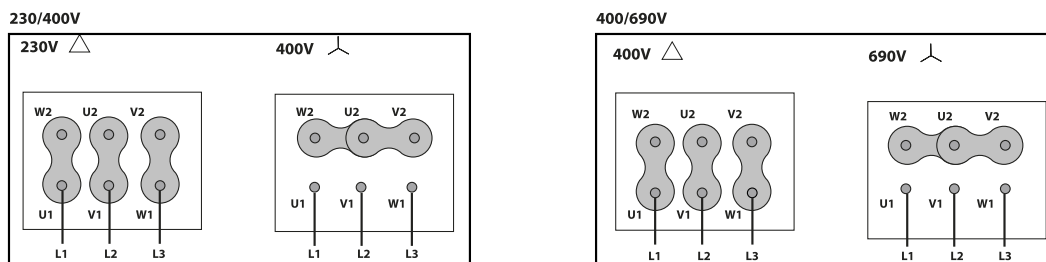
## DIMENSIONS



### Dimensions (mm)

|               |     |               |     |               |     |    |     |   |       |
|---------------|-----|---------------|-----|---------------|-----|----|-----|---|-------|
| C' (Mot.T.63) | 308 | C' (Mot.T.71) | 311 | C' (Mot.T.80) | 340 | E  | 250 | O | 8x45° |
| ØA            | 434 | ØB            | 395 | ØD            | 365 | ØJ | 10  |   |       |

## WIRING DIAGRAM



## ACCESSORIES



**PROTECTION GUARD FOR LONG CASE AXIAL FANS**  
**RP 35**  
**REF: 960300100**



**CASE FANS MOUNTING SUPPORT**  
**PO 35**  
**REF: 960001653**



**CONNECTION FLANGE  
AC 350**  
REF: 960003211



**ANTI-VIBRATION JOINT  
JE 45**  
REF: 300719201



**CIRCULAR SILENCER  
SIL-C 355/532**  
REF: 960355532



**CIRCULAR SILENCER  
SIL-CN 355/355**  
REF: 961355355



**CIRCULAR SILENCER  
SIL-CN 355/710**  
REF: 961355071



**ROOF KIT FOR CASE FANS  
KIT TE 35**  
REF: KTE35



**FREQUENCY SPEED CONTROLLER  
SFC (GENERIC)**



**ANTI-VIBRATION RUBBER BLOCK  
AVR (GENERIC)**



**INLET PROTECTION GUARD FOR AXIAL FANS  
RP1 (GENERIC)**



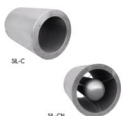
**ANTI-VIBRATING FLANGE 400°/2H  
BA-400 35**  
REF: 960002053



**CIRCULAR SILENCER  
SIL-C 355/355**  
REF: 960355355



**CIRCULAR SILENCER  
SIL-C 355/710**  
REF: 960355071



**CIRCULAR SILENCER  
SIL-CN 355/532**  
REF: 961355352



**CIRCULAR-CIRCULAR ANTI-VIBRATION FLANGE  
BAD 10 (Ø350)**  
REF: 960003460



**METALLIC ROOF KIT FOR CASE FANS  
KIT TM 35**  
REF: KTM35



**SAFETY SWITCH  
INT (GENERIC)**



**ANTI-VIBRATION SPRING BLOCK  
AVS (GENERIC)**