

HC 40 M4 (A0:6)

GENERAL DATA



SHORT CASE VARIABLE PITCH BLADES FAN

MANUFACTURING FEATURES:

- Plate axial fan with circular reinforced frame.
- Motor-impeller modular assembly for complete versatility.
- Polyester powder finishing coat.
- Standard asynchronous squirrel-cage motor with IP-55 protection and Class F insulation. Manufactured with standard voltages: 230V 50Hz in single phase motors and 230/400V 50Hz in three phase motors up to 4kW and 400/690V 50Hz for higher powers.
- HC: Polypropylene impeller (A2 profile) or polyamide impeller reinforced with fibreglass (other profiles) with variable pitch angle.
- HCA: Cast aluminum impeller with variable pitch angle.

APPLICATIONS:

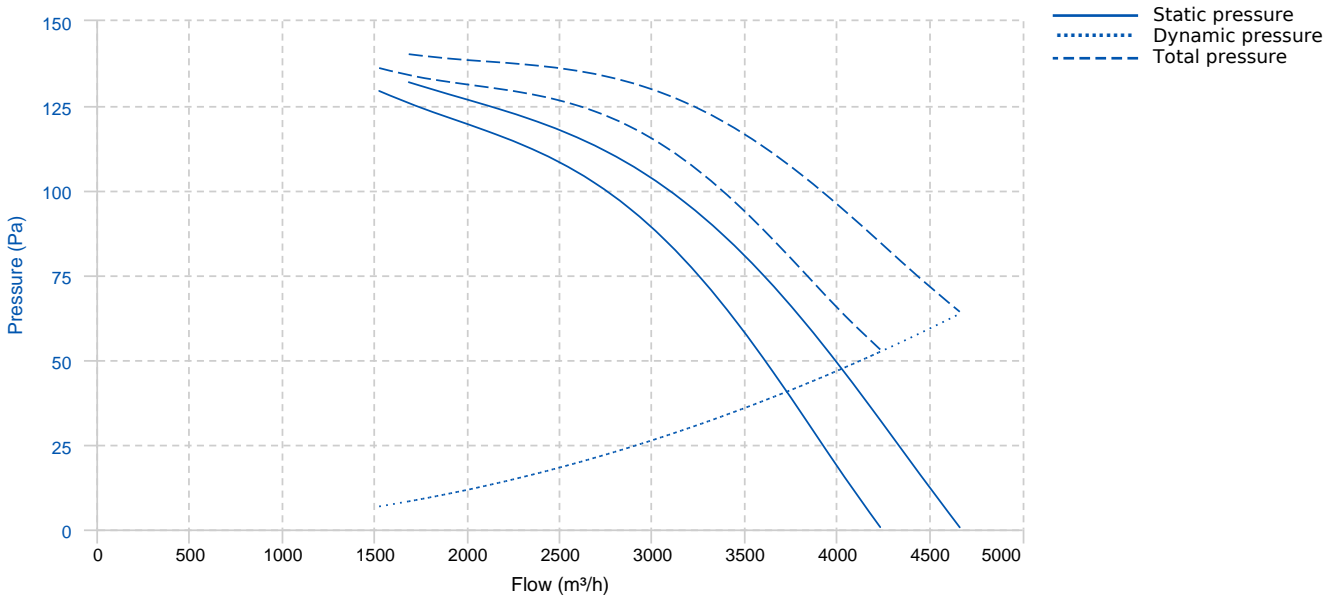
Designed for wall or duct installation, they are suitable for:

- Air renewal in buildings and industries.
- Smoke exhaust (maximum 50-60°C).
- Maximum working temperature: 50°C single phase, 60°C three phase.

UNDER REQUEST:

- Supply impeller (air direction from impeller to motor), 100% reversible impeller.
- 60Hz fans and special voltages.
- Hot-dipped galvanized or stainless steel housing.
- Optional can be adapted an square plate to the frame, to transform it in an axial square frame version fan.

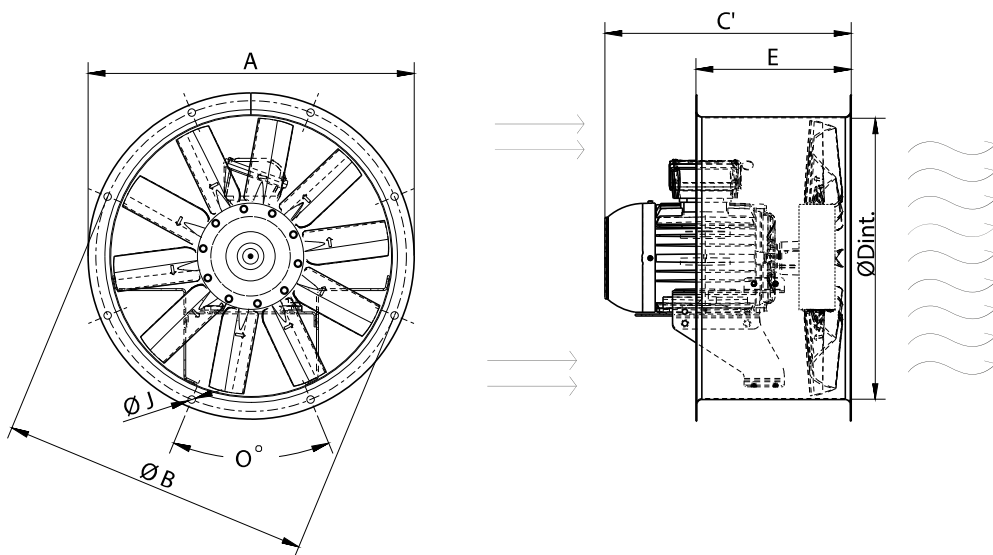
PERFORMANCE CURVE



TECHNICAL DATA

Fan					
RPM	-	Approx. weight	-	Max. Flow	4670 m³/h

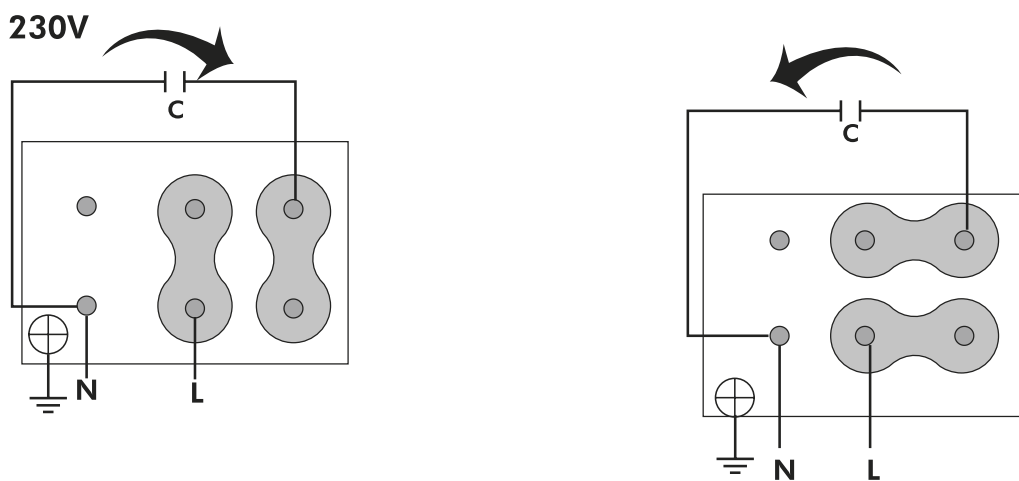
DIMENSIONS



Dimensions (mm)

C' (Mot.T.63)	308	C' (Mot.T.71)	311	C' (Mot.T.80)	345	C' (Mot.T.90L)	387	C' (Mot.T.90S)	361.5
E	250	O	8x45°	ØA	472	ØB	450	ØD	403
ØJ	10								

WIRING DIAGRAM



ACCESSORIES



PROTECTION GUARD FOR LONG CASE AXIAL FANS
RP 40
REF: 960300101



CASE FANS MOUNTING SUPPORT
PO 40
REF: 960001654



CONNECTION FLANGE
AC 400
REF: 960003212



ANTI-VIBRATING FLANGE 400^ø/2H
BA-400 40
REF: 960002054



ANTI-VIBRATION JOINT
JE 45
REF: 300719201



CIRCULAR SILENCER
SIL-C 400/400
REF: 960040040



CIRCULAR SILENCER
SIL-C 400/600
REF: 960040060



CIRCULAR SILENCER
SIL-C 400/800
REF: 960040080



CIRCULAR SILENCER
SIL-CN 400/400
REF: 961040040



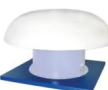
CIRCULAR SILENCER
SIL-CN 400/600
REF: 961040060



CIRCULAR SILENCER
SIL-CN 400/800
REF: 961040080



CIRCULAR-CIRCULAR ANTI-VIBRATION FLANGE
BAD 11 (Ø400)
REF: 960003461



ROOF KIT FOR CASE FANS
KIT TE 40
REF: KTE40



METALLIC ROOF KIT FOR CASE FANS
KIT TM 40
REF: KTM40



SAFETY SWITCH
INT (GENERIC)



ANTI-VIBRATION RUBBER BLOCK
AVR (GENERIC)



ANTI-VIBRATION SPRING BLOCK
AVS (GENERIC)



INLET PROTECTION GUARD FOR AXIAL FANS
RP1 (GENERIC)