

HC 45 M4 (A0:6)

GENERAL DATA



SHORT CASE VARIABLE PITCH BLADES FAN

MANUFACTURING FEATURES:

- Plate axial fan with circular reinforced frame.
- Motor-impeller modular assembly for complete versatility.
- Polyester powder finishing coat.
- Standard asynchronous squirrel-cage motor with IP-55 protection and Class F insulation. Manufactured with standard voltages: 230V 50Hz in single phase motors and 230/400V 50Hz in three phase motors up to 4kW and 400/690V 50Hz for higher powers.
- HC: Polypropylene impeller (A2 profile) or polyamide impeller reinforced with fibreglass (other profiles) with variable pitch angle.
- HCA: Cast aluminum impeller with variable pitch angle.

APPLICATIONS:

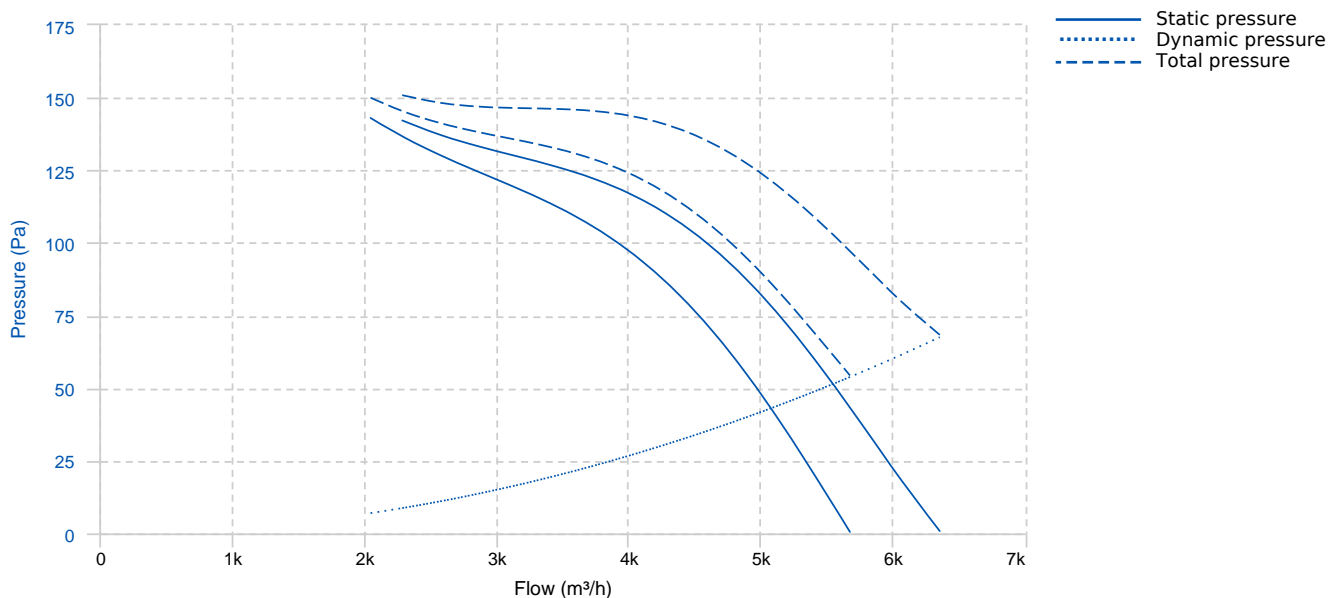
Designed for wall or duct installation, they are suitable for:

- Air renewal in buildings and industries.
- Smoke exhaust (maximum 50-60°C).
- Maximum working temperature: 50°C single phase, 60°C three phase.

UNDER REQUEST:

- Supply impeller (air direction from impeller to motor), 100% reversible impeller.
- 60Hz fans and special voltages.
- Hot-dipped galvanized or stainless steel housing.
- Optional can be adapted an square plate to the frame, to transform it in an axial square frame version fan.

PERFORMANCE CURVE



TECHNICAL DATA

Fan

RPM

-

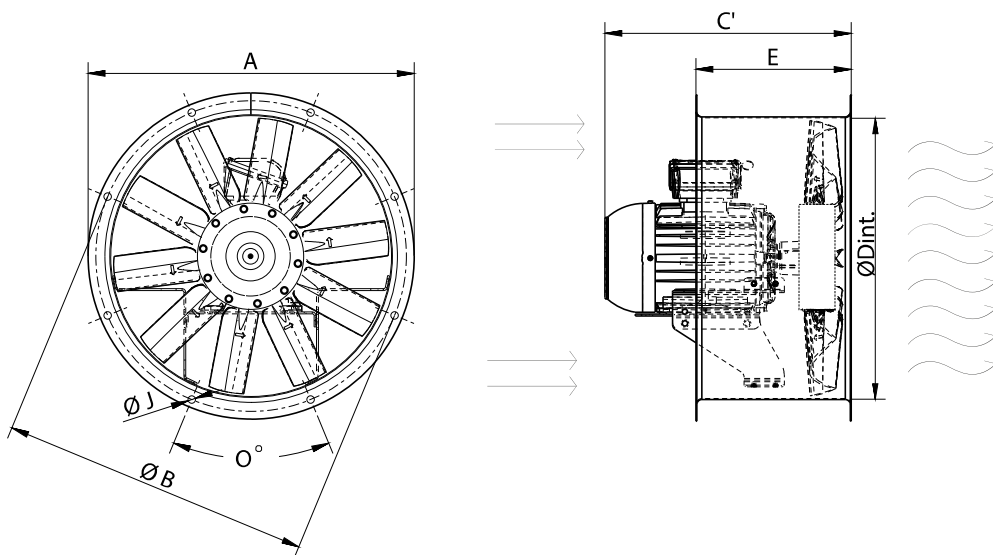
Approx. weight

-

Max. Flow

6360 m³/h

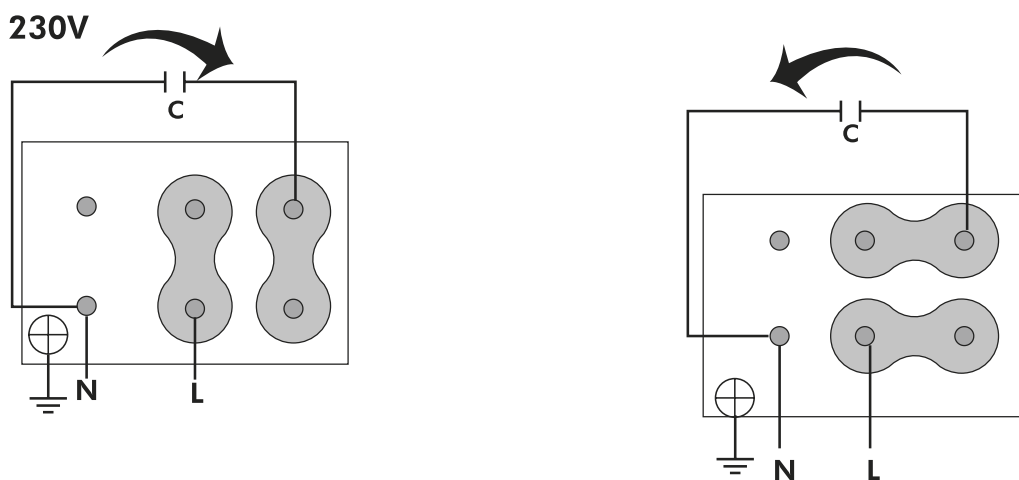
DIMENSIONS



Dimensions (mm)

C' (Mot.T.63)	338	C' (Mot.T.71)	348	C' (Mot.T.80)	357	C' (Mot.T.90L)	397	C' (Mot.T.90S)	372
C' (Mot.T.100L)	428	E	250	O	8X45°	ØA	525	ØB	500
ØD	452	ØJ	12						

WIRING DIAGRAM



ACCESSORIES



PROTECTION GUARD FOR LONG CASE AXIAL FANS
RP 45
REF: 960310100



CASE FANS MOUNTING SUPPORT
PO 45
REF: 960001655



CONNECTION FLANGE
AC 450
REF: 960003213



ANTI-VIBRATING FLANGE 400^º/2H
BA-400 45
REF: 960002055



ANTI-VIBRATION JOINT
JE 45
REF: 300719201



CIRCULAR SILENCER
SIL-C 450/450
REF: 960045045



CIRCULAR SILENCER
SIL-C 450/ 675
REF: 960045675



CIRCULAR SILENCER
SIL-C 450/900
REF: 960045090



CIRCULAR SILENCER
SIL-CN 450/450
REF: 961045045



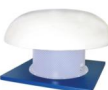
CIRCULAR SILENCER
SIL-CN 450/ 675
REF: 961045675



CIRCULAR SILENCER
SIL-CN 450/900
REF: 961045090



CIRCULAR-CIRCULAR ANTI-VIBRATION FLANGE
BAD 12 (Ø450)
REF: 960003462



ROOF KIT FOR CASE FANS
KIT TE 45
REF: KTE45



METALLIC ROOF KIT FOR CASE FANS
KIT TM 45
REF: KTM45



SAFETY SWITCH
INT (GENERIC)



ANTI-VIBRATION RUBBER BLOCK
AVR (GENERIC)



ANTI-VIBRATION SPRING BLOCK
AVS (GENERIC)



INLET PROTECTION GUARD FOR AXIAL FANS
RP1 (GENERIC)