

HC 63 T4 (A2:6)

GENERAL DATA



SHORT CASE VARIABLE PITCH BLADES FAN

MANUFACTURING FEATURES:

- Plate axial fan with circular reinforced frame.
- Motor-impeller modular assembly for complete versatility.
- Polyester powder finishing coat.
- Standard asynchronous squirrel-cage motor with IP-55 protection and Class F insulation. Manufactured with standard voltages: 230V 50Hz in single phase motors and 230/400V 50Hz in three phase motors up to 4kW and 400/690V 50Hz for higher powers.
- HC: Polypropylene impeller (A2 profile) or polyamide impeller reinforced with fibreglass (other profiles) with variable pitch angle.
- HCA: Cast aluminum impeller with variable pitch angle.

APPLICATIONS:

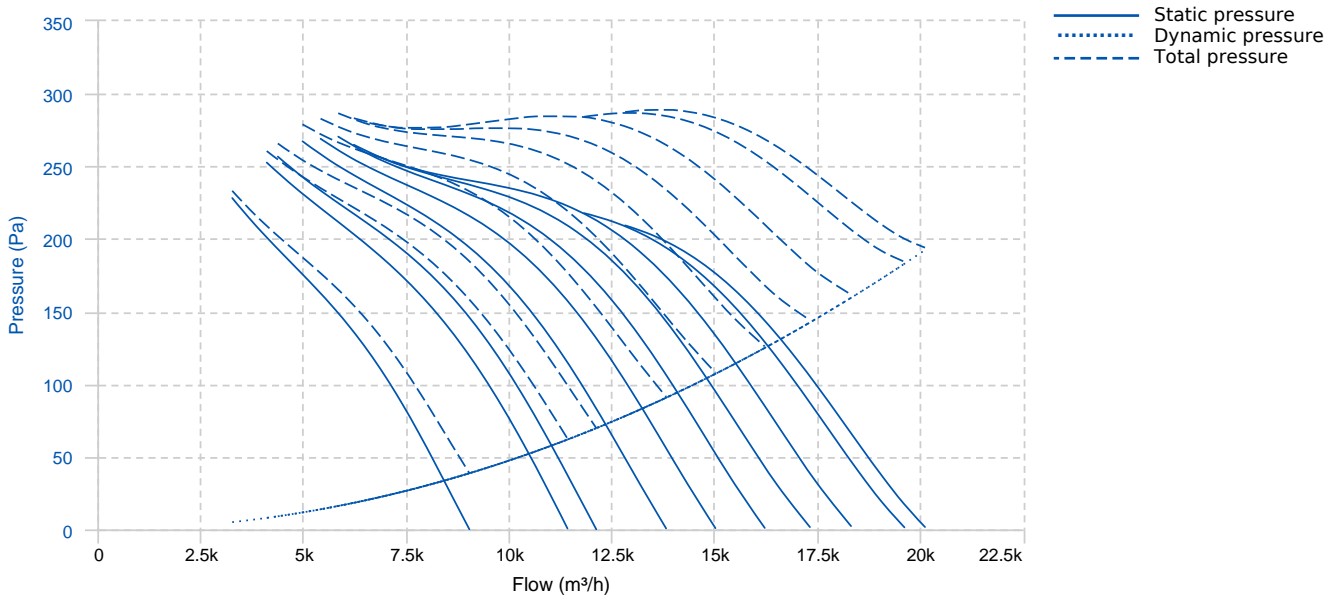
Designed for wall or duct installation, they are suitable for:

- Air renewal in buildings and industries.
- Smoke exhaust (maximum 50-60°C).
- Maximum working temperature: 50°C single phase, 60°C three phase.

UNDER REQUEST:

- Supply impeller (air direction from impeller to motor), 100% reversible impeller.
- 60Hz fans and special voltages.
- Hot-dipped galvanized or stainless steel housing.
- Optional can be adapted an square plate to the frame, to transform it in an axial square frame version fan.

PERFORMANCE CURVE



TECHNICAL DATA

Fan

RPM

-

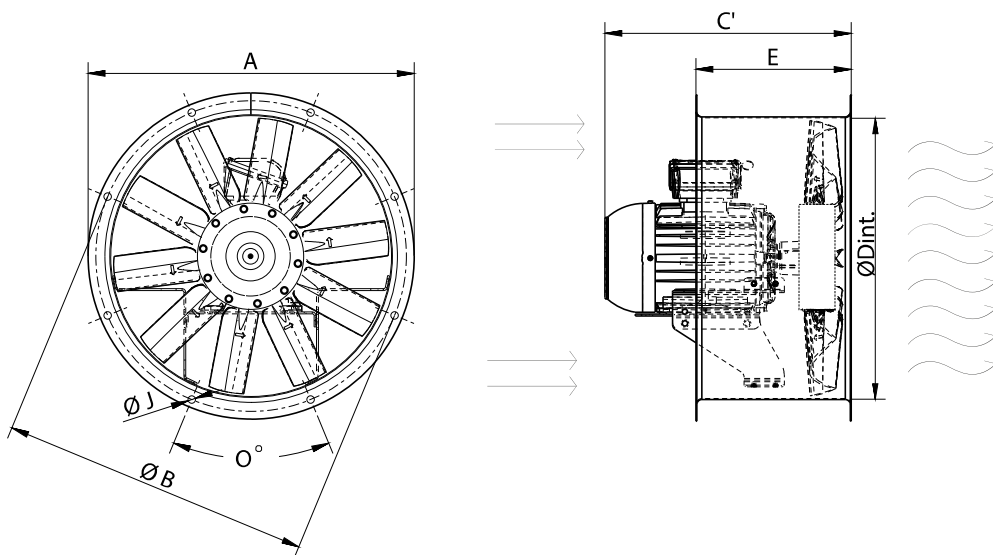
Approx. weight

-

Max. Flow

20110 m³/h

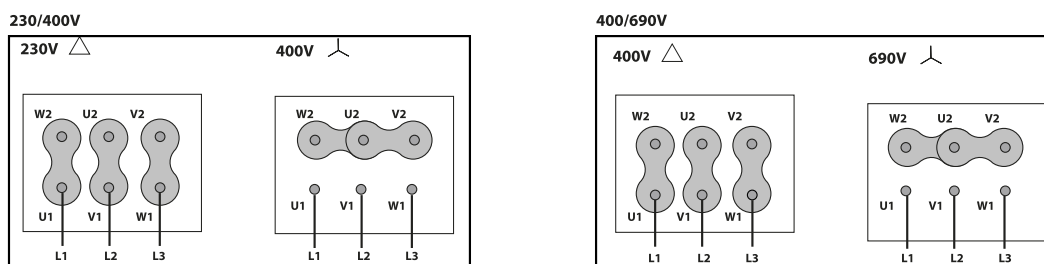
DIMENSIONS



Dimensions (mm)

| | | | | | | | | | |
|---------------|-----|-----------------|--------|-----------------|-----|------------------|-----|------------------|-----|
| C' (Mot.T.80) | 359 | C' (Mot.T. 90L) | 398 | C' (Mot.T. 90S) | 393 | C' (Mot.T. 100L) | 450 | C' (Mot.T. 112M) | 471 |
| E | 250 | Ø | 12X30° | ØA | 725 | ØB | 690 | ØD | 633 |
| ØJ | 12 | | | | | | | | |

WIRING DIAGRAM



ACCESSORIES



PROTECTION GUARD FOR LONG CASE AXIAL FANS
RP 63
REF: 960330101



CASE FANS MOUNTING SUPPORT
PO 63
REF: 960001658



**CONNECTION FLANGE
AC 630**
REF: 960003216



**ANTI-VIBRATION JOINT
JE 45**
REF: 300719201



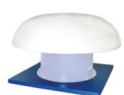
**CIRCULAR SILENCER
SIL-C 630/945**
REF: 960063945



**CIRCULAR SILENCER
SIL-CN 630/630**
REF: 961063063



**CIRCULAR SILENCER
SIL-CN 630/1260**
REF: 961063126



**ROOF KIT FOR CASE FANS
KIT TE 63**
REF: KTE63



**FREQUENCY SPEED CONTROLLER
SFC (GENERIC)**



**ANTI-VIBRATION RUBBER BLOCK
AVR (GENERIC)**



**INLET PROTECTION GUARD FOR AXIAL FANS
RP1 (GENERIC)**



**ANTI-VIBRATING FLANGE 400°/2H
BA-400 63**
REF: 960002057



**CIRCULAR SILENCER
SIL-C 630/630**
REF: 960063063



**CIRCULAR SILENCER
SIL-C 630/1260**
REF: 960063126



**CIRCULAR SILENCER
SIL-CN 630/945**
REF: 961063945



**CIRCULAR-CIRCULAR ANTI-VIBRATION FLANGE
BAD 15 (Ø630)**
REF: 960003465



**METALLIC ROOF KIT FOR CASE FANS
KIT TM 63**
REF: KTM63



**SAFETY SWITCH
INT (GENERIC)**



**ANTI-VIBRATION SPRING BLOCK
AVS (GENERIC)**