

HC EVO 50 EEC (277509040PECV2)

GENERAL DATA



SHORT CASE VARIABLE PITCH BLADES WITH EEC MOTOR

MANUFACTURING FEATURES

- Short case axial fan with reinforced body, with double flange, made of rolling steel sheet.
- Pad mounted motor support system with guide vanes.
- Polyester powder finishing coat.
- Low sound level and high performance.
- PM brushless motor (permanent magnets), synchronous, electronically commutated, high efficiency and low sound level. Specially designed for fans with electronic operation and control in deported box IP65.

Working range: from 400 to 1200-2000rpm (depending on the models)

Motor with IP54 protection and class F insulation. IP 65 drive case

Power: 220V \pm 10% single phase

Power frequency: 50 / 60Hz

Operating temperature range (electrical box): -20°C to 50°C

Speed control through signal 0-10V or PWM

- Polypropylene impeller with variable pitch angle (Stopped and in origin).

APPLICATIONS

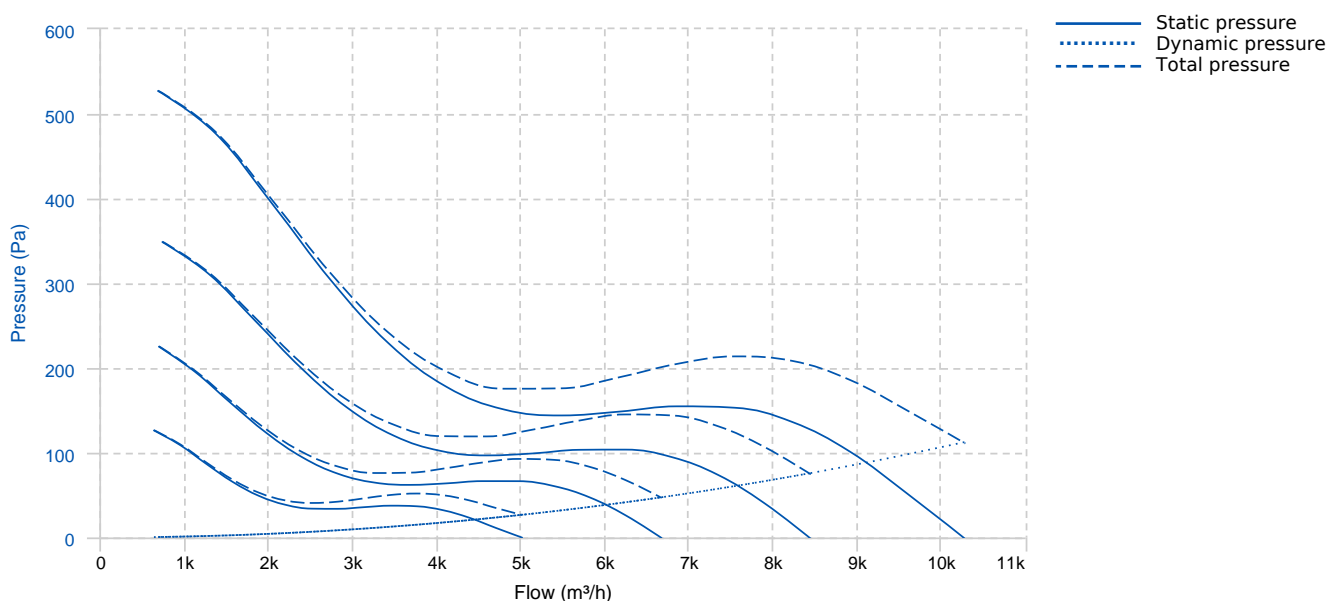
Designed for inline installation, they are suitable for

- Air renewal in buildings and industries.
- Smoke extraction.
- Maximum transported air temperature: 50°C.

UNDER REQUEST

- Casing in hot galvanized sheet or stainless steel.

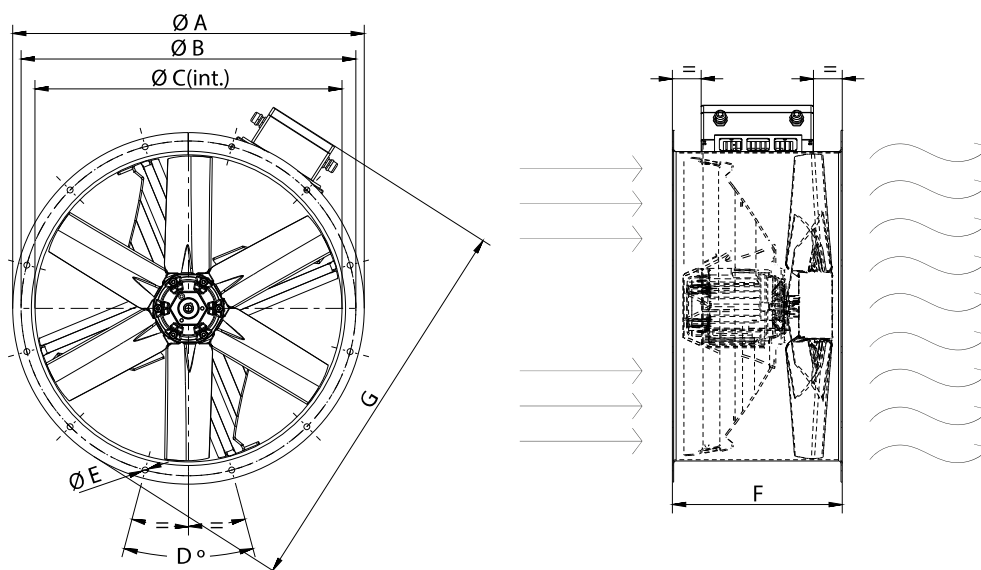
PERFORMANCE CURVE



TECHNICAL DATA

Fan							
Approx. weight	37 kg	Max. Flow	10290 m ³ /h				
Motor							
Power	0,75 kW	RPM	1500	I max. (230V)	5,8 A	Approx. weight	0 kg

DIMENSIONS



Dimensions (mm)									
A	600	B	560	C	504	D	12x30	E	12
F	350	G	675						

WIRING DIAGRAM

MOTOR OUTPUT
SALIDA MOTOR

The EC motor is three phase and the output of three phases is connected in this connection terminal.
El motor EC es trifásico y la salida de las 3 fases del mismo se conectan a este terminal de conexión.

CONTROL-0-10 INPUT
CONTROL-0-10 ENTRADA

The fan is adjustable in rpm and has a variable input from 0 to 10V.
You can connect any accessory or external device that gives this variable signal (for example: temperature sensor, inverter, etc.). In case you want to operate the fan at maximum revolutions, you should connect VSP (0-10V) and +12 directly.
El ventilador es regulable en RPM y tiene una entrada variable de 0 a 10V.
Se puede conectar algún accesorio o dispositivo externo que dé esta señal variable (por ejemplo, sensor de temperatura, variador, etc.). En caso de que se quiera hacer funcionar el ventilador a máximas revoluciones se debe conectar directamente VSP (0-10V) y +12.

POWER INPUT (230V)
ENTRADA DE ALIMENTACIÓN (230V)

In this other terminal, the power input must be connected with the L (line), N (neutral) and single phase PE (ground).
En este otro terminal se debe conectar la entrada de alimentación con la L (línea), N (neutro) y PE (tierra) monofásica.

ACCESSORIES



SAFETY SWITCH
INT 25 3P A
REF: INT253PA



PROTECTION GUARD FOR LONG CASE AXIAL FANS
RP 50
REF: 960320100



SPEED CONTROLLER FOR EEC MOTOR
REGC
REF: FX263300

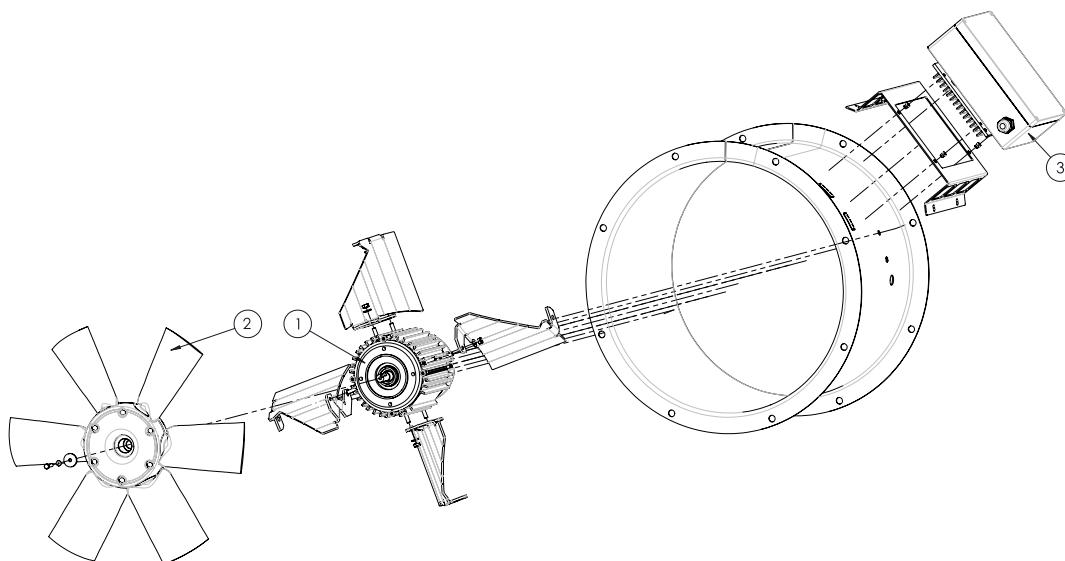


ROOF KIT FOR CASE FANS
KIT TE 50
REF: KTE50



METALLIC ROOF KIT FOR CASE FANS
KIT TM 50
REF: KTM50

SPARE PARTS



	Code	Model	Qty
1	720331075IEC4V2	MOTOR EEC 750W (T,80)	x1
2	R-H50006240PIMP	IMPELLER 500:AP0:6 G40 D14 IMP	x1
3	301002104R150	ELECTRONICAL DEVICE EEC750 1500RPM	x1