

HC EVO 56 EEC (277569540PEC)

GENERAL DATA



SHORT CASE VARIABLE PITCH BLADES WITH EEC MOTOR

MANUFACTURING FEATURES

- Short case axial fan with reinforced body, with double flange, made of rolling steel sheet.
- Pad mounted motor support system with guide vanes.
- Polyester powder finishing coat.
- Low sound level and high performance.
- PM brushless motor (permanent magnets), synchronous, electronically commutated, high efficiency and low sound level. Specially designed for fans with electronic operation and control in deported box IP65.

Working range: from 400 to 1200-2000rpm (depending on the models)

Motor with IP54 protection and class F insulation. IP 65 drive case

Power: 220V \pm 10% single phase

Power frequency: 50 / 60Hz

Operating temperature range (electrical box): -20°C to 50°C

Speed control through signal 0-10V or PWM

- Polypropylene impeller with variable pitch angle (Stopped and in origin).

APPLICATIONS

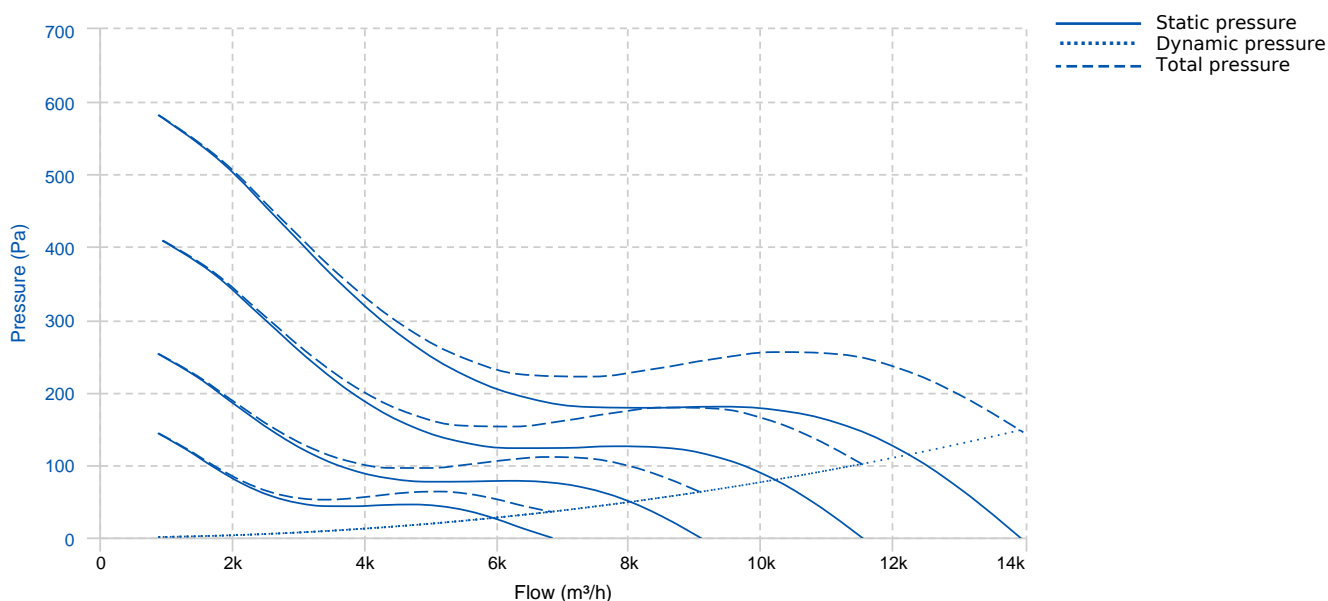
Designed for inline installation, they are suitable for

- Air renewal in buildings and industries.
- Smoke extraction.
- Maximum transported air temperature: 50°C.

UNDER REQUEST

- Casing in hot galvanized sheet or stainless steel.

PERFORMANCE CURVE



TECHNICAL DATA

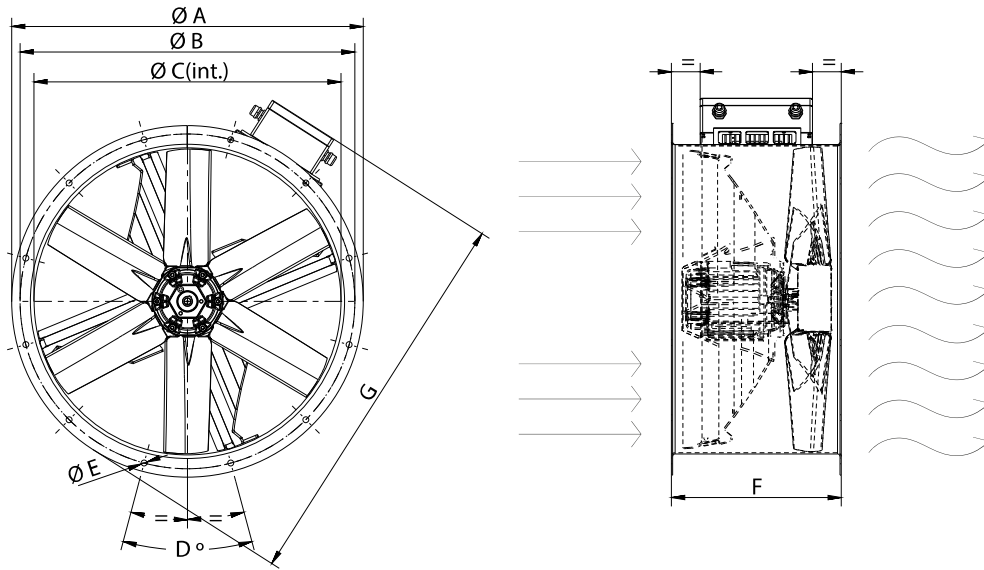
Fan

Approx. weight 43.5 kg Max. Flow 13970 m³/h

Motor

Power 1,5 kW RPM 1500 I max. (230V) 10 A Approx. weight 0 kg

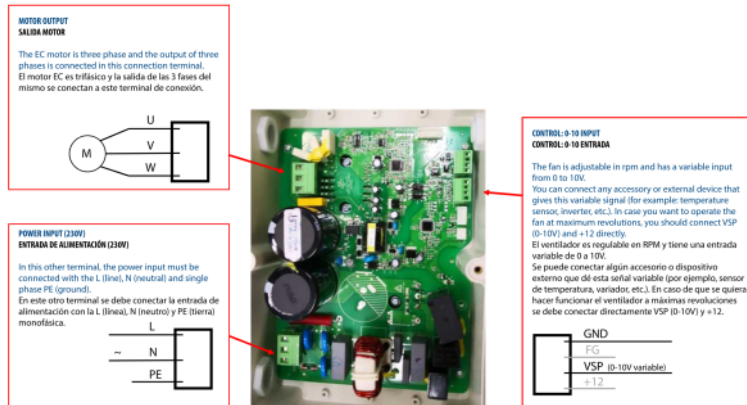
DIMENSIONS



Dimensions (mm)

| | | | | | | | | | |
|---|-----|---|-----|---|-----|---|-------|---|----|
| A | 646 | B | 620 | C | 559 | D | 12x30 | E | 12 |
| F | 350 | G | 727 | | | | | | |

WIRING DIAGRAM



ACCESSORIES



SAFETY SWITCH
INT 25 3P A
REF: INT253PA

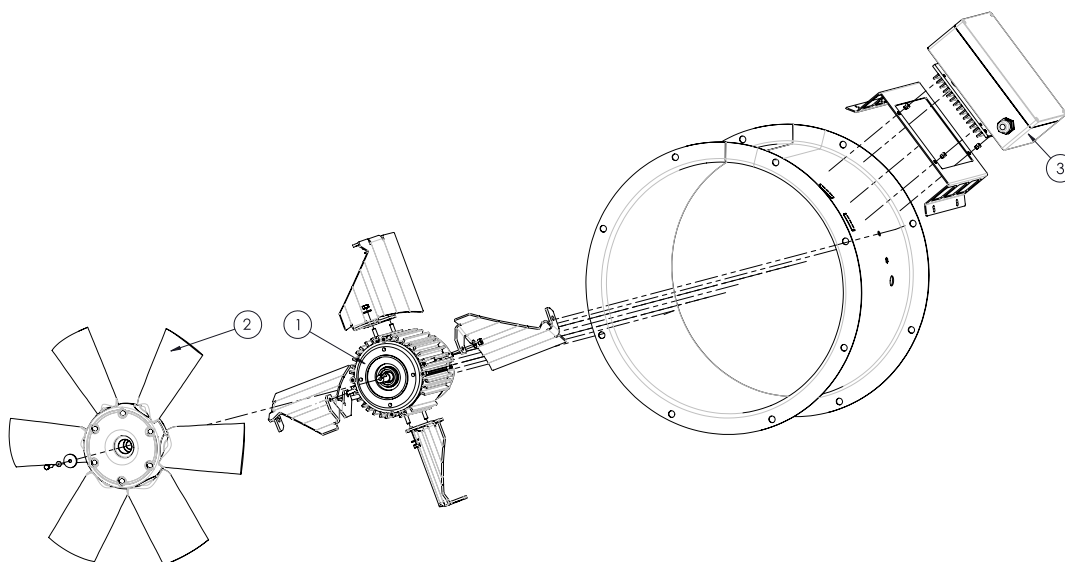


PROTECTION GUARD FOR LONG CASE AXIAL FANS
RP 56
REF: 960330100



SPEED CONTROLLER FOR EEC MOTOR
REGC
REF: FX263300

SPARE PARTS



| | Code | Model | Qty |
|---|-----------------|-------------------------------------|-----|
| 1 | 301002200IEC4 | MOTOR EEC1500 IEC | x1 |
| 2 | R-H56056340PIMP | IMPELLER 560:AP5:6 G40 D19 IMP | x1 |
| 3 | 301002204R150 | ELECTRONICAL DEVICE EEC1500 1500rpm | x1 |