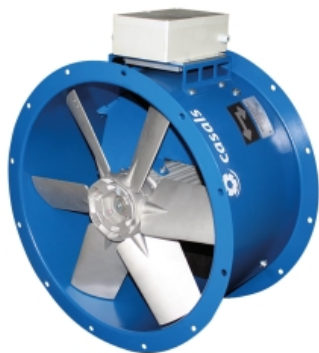


HCA EVO 35 EEC (277359040AEC)

GENERAL DATA



SHORT CASE VARIABLE PITCH BLADES WITH EEC MOTOR

MANUFACTURING FEATURES

- Short case axial fan with reinforced body, with double flange, made of rolling steel sheet.
- Pad mounted motor support system with guide vanes.
- Polyester powder finishing coat.
- Low sound level and high performance.
- PM brushless motor (permanent magnets), synchronous, electronically commutated, high efficiency and low sound level. Specially designed for fans with electronic operation and control in deported box IP65.

Working range: from 400 to 1200-2000rpm (depending on the models)

Motor with IP54 protection and class F insulation. IP 65 drive case

Power: 220V \pm 10% single phase

Power frequency: 50 / 60Hz

Operating temperature range (electrical box): -20°C to 50°C

Speed control through signal 0-10V or PWM

Cast aluminium impeller with variable pitch angle (Stopped and in origin).

APPLICATIONS

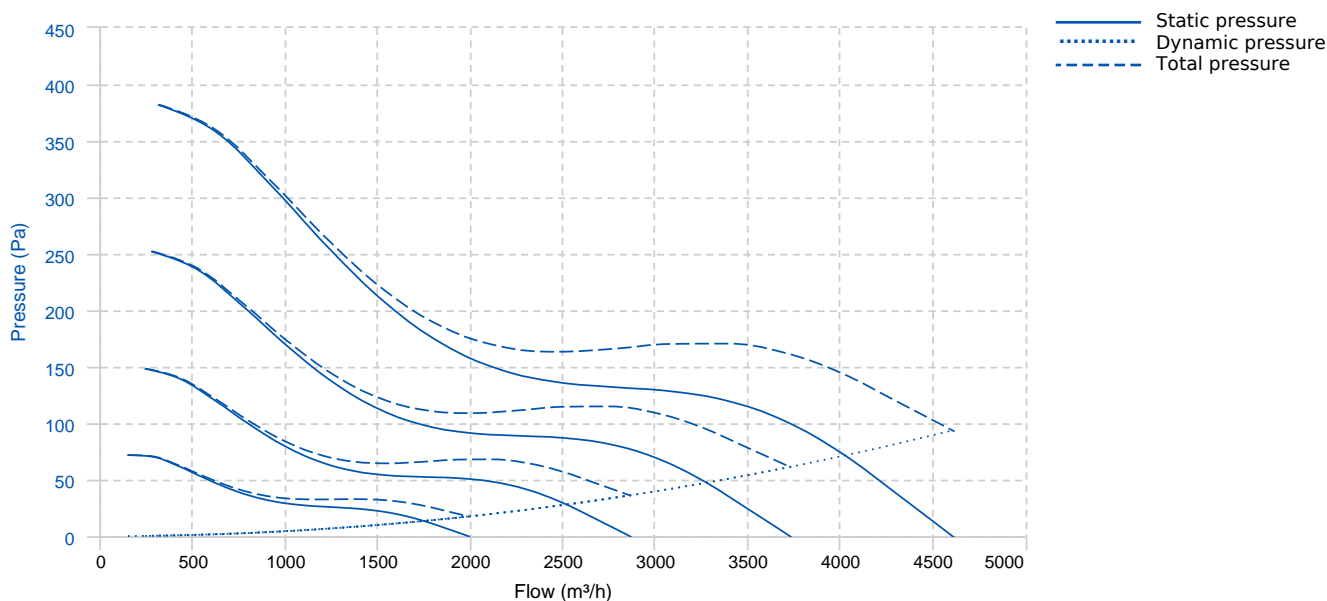
Designed for inline installation, they are suitable for

- Air renewal in buildings and industries.
- Smoke extraction.
- Maximum transported air temperature: 50°C.

UNDER REQUEST

- Casing in hot galvanized sheet or stainless steel.

PERFORMANCE CURVE

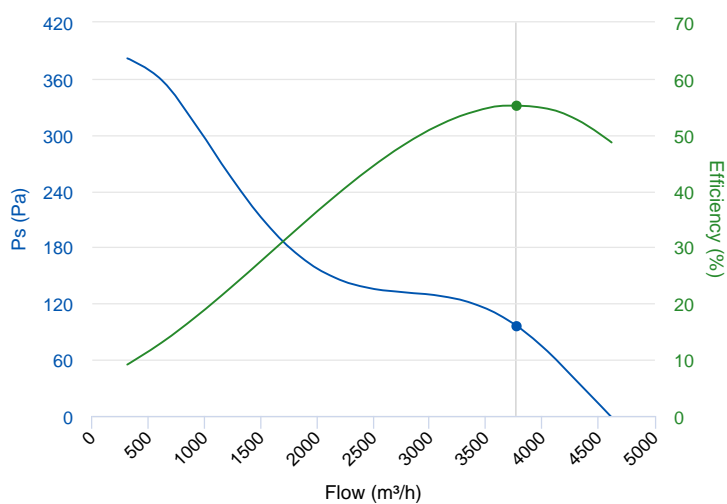


TECHNICAL DATA

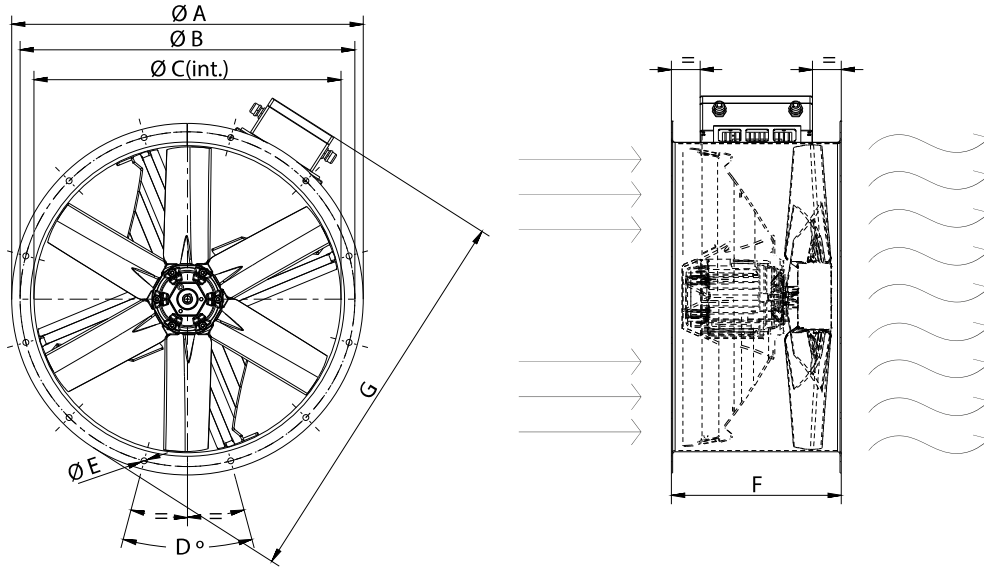
Fan							
RPM	2000	Approx. weight	17 kg	Max. Flow	4620 m ³ /h		
Motor							
Power	0,37 kW	RPM	2000 (max)	I max. (230V)	5 A	Approx. weight	0 kg

ERP DATA

Fan data sheet		
Fan type	Axial fan	
Installation category	A: Outlet and Inlet free discharge	
Efficiency category	Static	
The fan has to be installed with VF	No	
Motor power (kW)	0.37	
	Fan values	ERP Requirements 2015
Max. efficiency (%)	55.25	30.3
Efficiency grade (N)	64.95	40
Pabs (kW)	0.293	
Flow (m ³ /h)	3773.24	
Static pressure (Pa)	95.92	
Speed (m/s)	2000 (10V)	
Specific ratio	1.00	



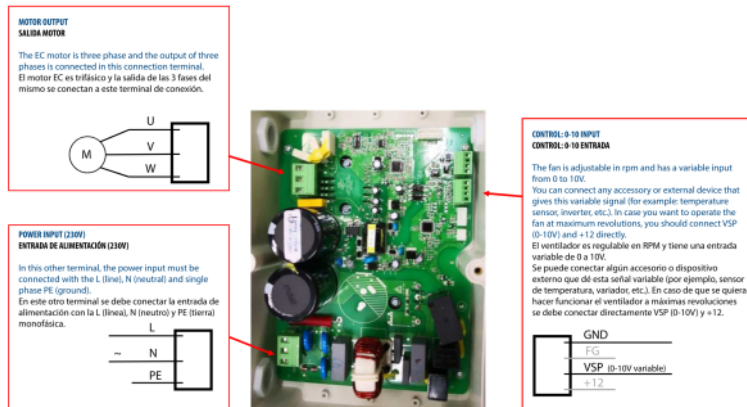
DIMENSIONS



Dimensions (mm)

A	434	B	395	C	365	D	8x45	E	10
F	350	G	521						

WIRING DIAGRAM



ACCESSORIES



SAFETY SWITCH
INT 25 3P A
REF: INT253PA



PROTECTION GUARD FOR LONG CASE AXIAL FANS
RP 35
REF: 960300100



**CASE FANS MOUNTING SUPPORT
PO 35
REF: 960001653**



**CONNECTION FLANGE
AC 350
REF: 960003211**



**ANTI-VIBRATING FLANGE 400^ø/2H
BA-400 35
REF: 960002053**



**SPEED CONTROLLER FOR EEC MOTOR
REGC
REF: FX263300**



**CIRCULAR SILENCER
SIL-C 355/355
REF: 960355355**



**CIRCULAR SILENCER
SIL-C 355/532
REF: 960355532**



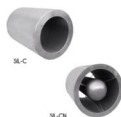
**CIRCULAR SILENCER
SIL-C 355/710
REF: 960355071**



**CIRCULAR SILENCER
SIL-CN 355/355
REF: 961355355**



**CIRCULAR SILENCER
SIL-CN 355/532
REF: 961355532**

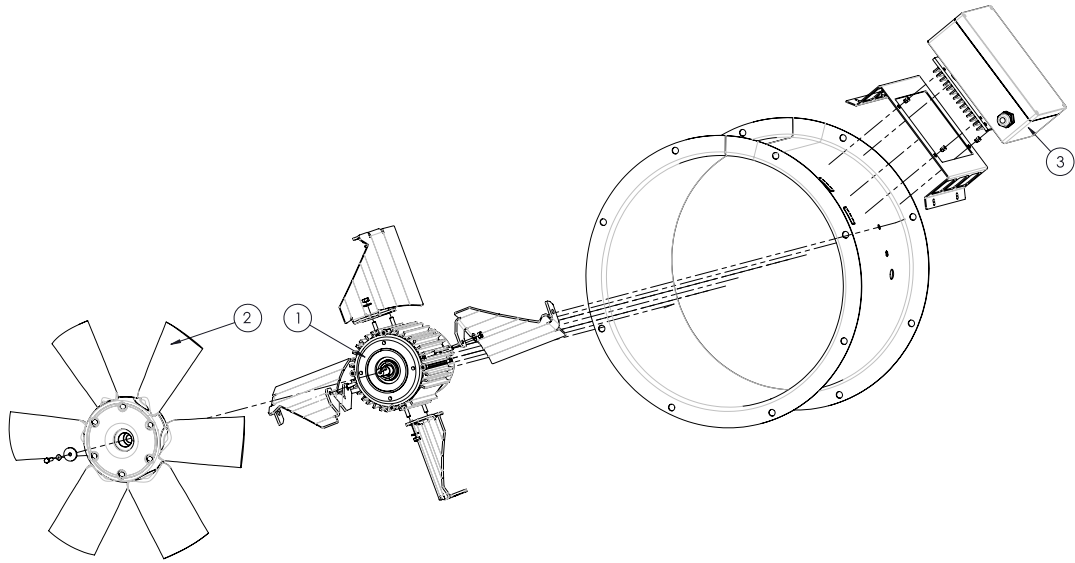


**CIRCULAR SILENCER
SIL-CN 355/710
REF: 961355071**



**CIRCULAR-CIRCULAR ANTI-VIBRATION FLANGE
BAD 10 (Ø350)
REF: 960003460**

SPARE PARTS



	Code	Model	Qty
1	301002000IEC4	MOTOR EEC0,37kW	x1
2	R-H35006240AIMP	IMPELLER 350:AA0:6 G40 D14 IMP	x1
3	301002004R200	ELECTRONICAL DEVICE EEC370 2000RPM	x1