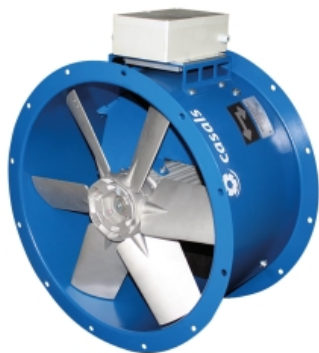


## HCA EVO 50 EEC (277509040AECV2)

### GENERAL DATA



SHORT CASE VARIABLE PITCH BLADES WITH EEC MOTOR

#### MANUFACTURING FEATURES

- Short case axial fan with reinforced body, with double flange, made of rolling steel sheet.
- Pad mounted motor support system with guide vanes.
- Polyester powder finishing coat.
- Low sound level and high performance.
- PM brushless motor (permanent magnets), synchronous, electronically commutated, high efficiency and low sound level. Specially designed for fans with electronic operation and control in deported box IP65.

Working range: from 400 to 1200-2000rpm (depending on the models)

Motor with IP54 protection and class F insulation. IP 65 drive case

Power: 220V  $\pm$  10% single phase

Power frequency: 50 / 60Hz

Operating temperature range (electrical box): -20°C to 50°C

Speed control through signal 0-10V or PWM

Cast aluminium impeller with variable pitch angle (Stopped and in origin).

#### APPLICATIONS

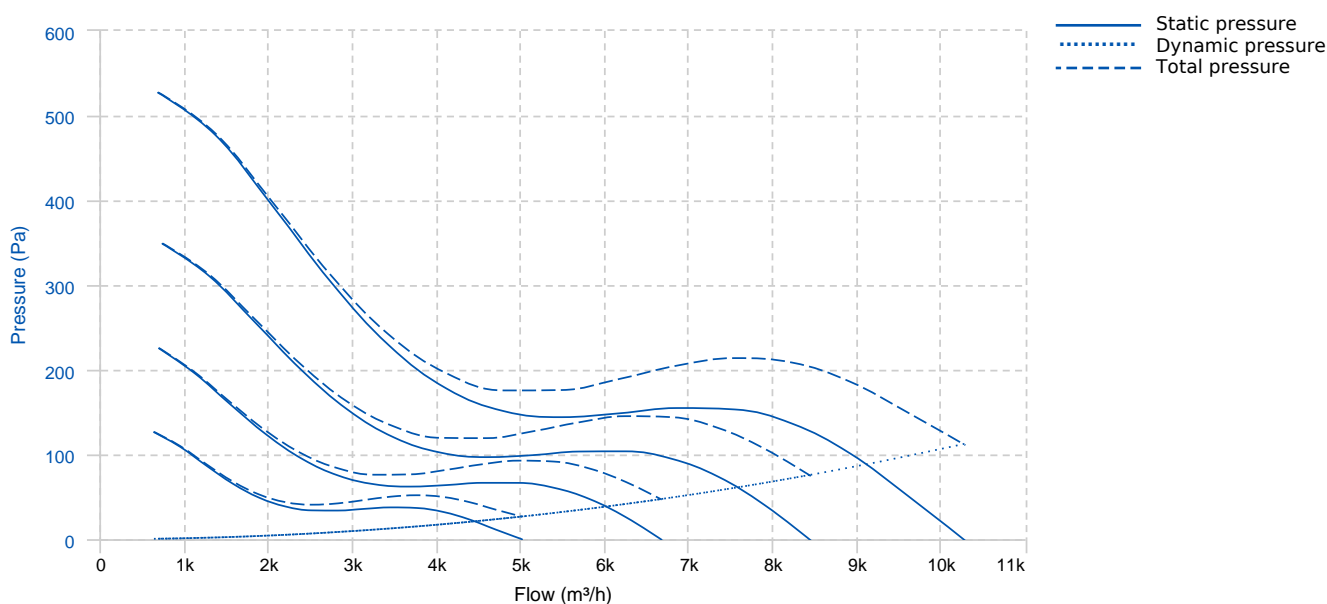
Designed for inline installation, they are suitable for

- Air renewal in buildings and industries.
- Smoke extraction.
- Maximum transported air temperature: 50°C.

#### UNDER REQUEST

- Casing in hot galvanized sheet or stainless steel.

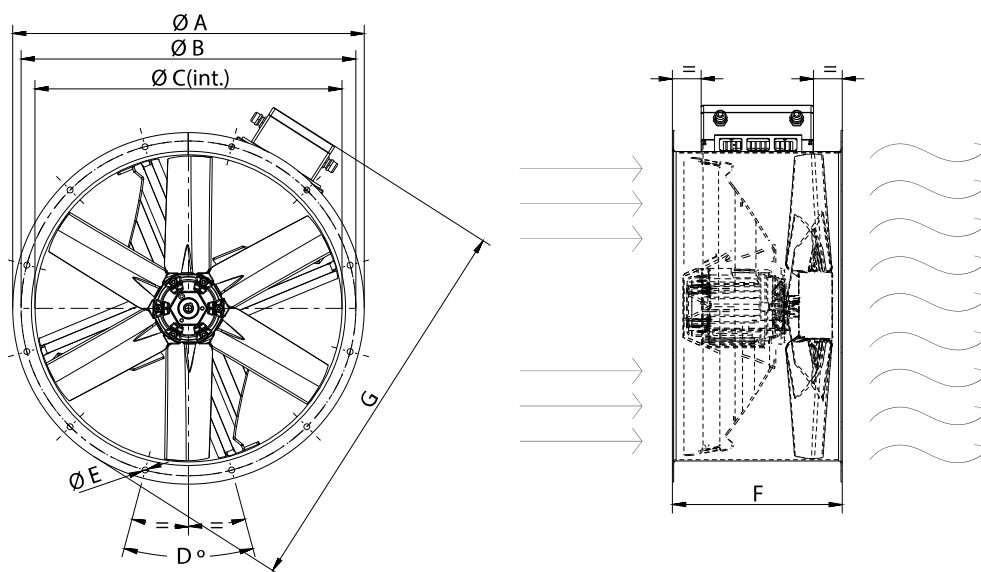
### PERFORMANCE CURVE



## TECHNICAL DATA

Fan							
Approx. weight	37 kg	Max. Flow	10290 m <sup>3</sup> /h				
Motor							
Power	0,75 kW	RPM	1500	I max. (230V)	5,8 A	Approx. weight	0 kg

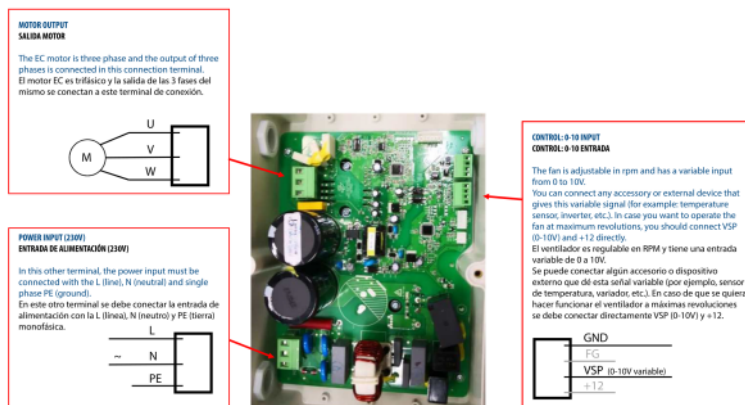
## DIMENSIONS



### Dimensions (mm)

A	600	B	560	C	504	D	12x30	E	12
F	350	G	675						

## WIRING DIAGRAM



## ACCESSORIES



**SAFETY SWITCH**  
**INT 25 3P A**  
REF: INT253PA



**CASE FANS MOUNTING SUPPORT**  
**PO 50**  
REF: 960001656



**ANTI-VIBRATING FLANGE 400<sup>ø</sup>/2H**  
**BA-400 50**  
REF: 960002064



**CIRCULAR SILENCER**  
**SIL-C 500/500**  
REF: 960050050



**CIRCULAR SILENCER**  
**SIL-C 500/1000**  
REF: 960050100



**CIRCULAR SILENCER**  
**SIL-CN 500/750**  
REF: 961050075



**CIRCULAR-CIRCULAR ANTI-VIBRATION FLANGE**  
**BAD 13 (Ø500)**  
REF: 960003463



**METALLIC ROOF KIT FOR CASE FANS**  
**KIT TM 50**  
REF: KTM50



**PROTECTION GUARD FOR LONG CASE AXIAL FANS**  
**RP 50**  
REF: 960320100



**CONNECTION FLANGE**  
**AC 500**  
REF: 960003214



**SPEED CONTROLLER FOR EEC MOTOR**  
**REGC**  
REF: FX263300



**CIRCULAR SILENCER**  
**SIL-C 500/750**  
REF: 960050075



**CIRCULAR SILENCER**  
**SIL-CN 500/500**  
REF: 961050050

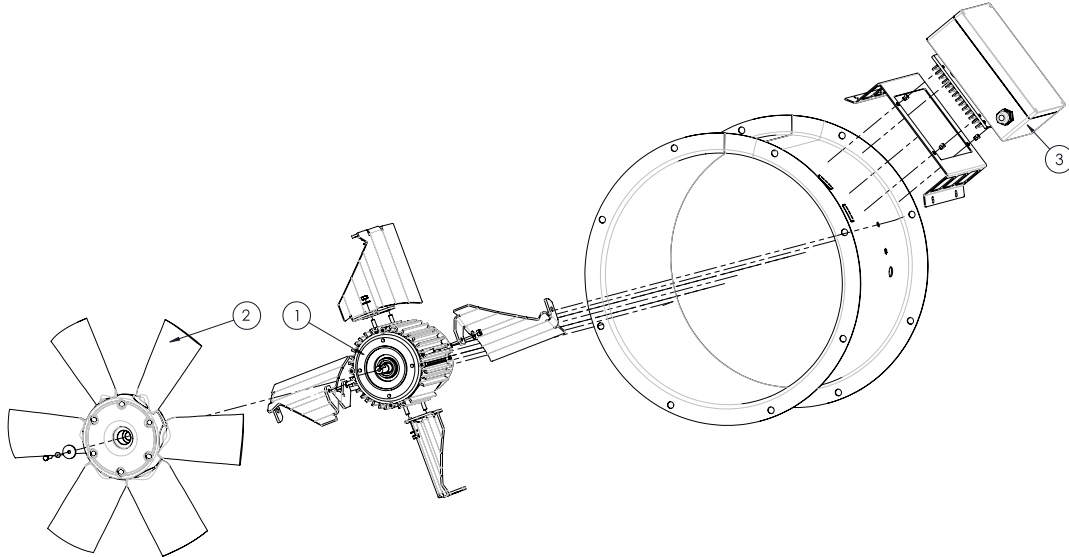


**CIRCULAR SILENCER**  
**SIL-CN 500/1000**  
REF: 961050100



**ROOF KIT FOR CASE FANS**  
**KIT TE 50**  
REF: KTE50

**SPARE PARTS**



	Code	Model	Qty
1	720331075IEC4V2	MOTOR EEC 750W (T,80)	x1
2	R-H50006240AIMP	IMPELLER 500:AA0:6 G40 D14 IMP	x1
3	301002104R150	ELECTRONICAL DEVICE EEC750 1500RPM	x1