

HH-2 35 T2 0,55kW (280352106)

GENERAL DATA



EXTERNAL MOTOR, VARIABLE PITCH BLADES

MANUFACTURING FEATURES:

- Long case fan.
 - Transmission ball bearings set inside a sealed cast iron box.
 - Cast aluminium impeller with variable pitch angle in origin.
 - Polyester powder finishing coat.
 - Standard asynchronous squirrel-cage motor with IP-55 protection and Class F insulation.
- Manufactured with standard voltages: 230V 50Hz in single phase motors and 230/400V 50Hz in three phase motors, up to 4kW and 400/690V 50Hz for higher powers.
- Inspection door.

APPLICATIONS:

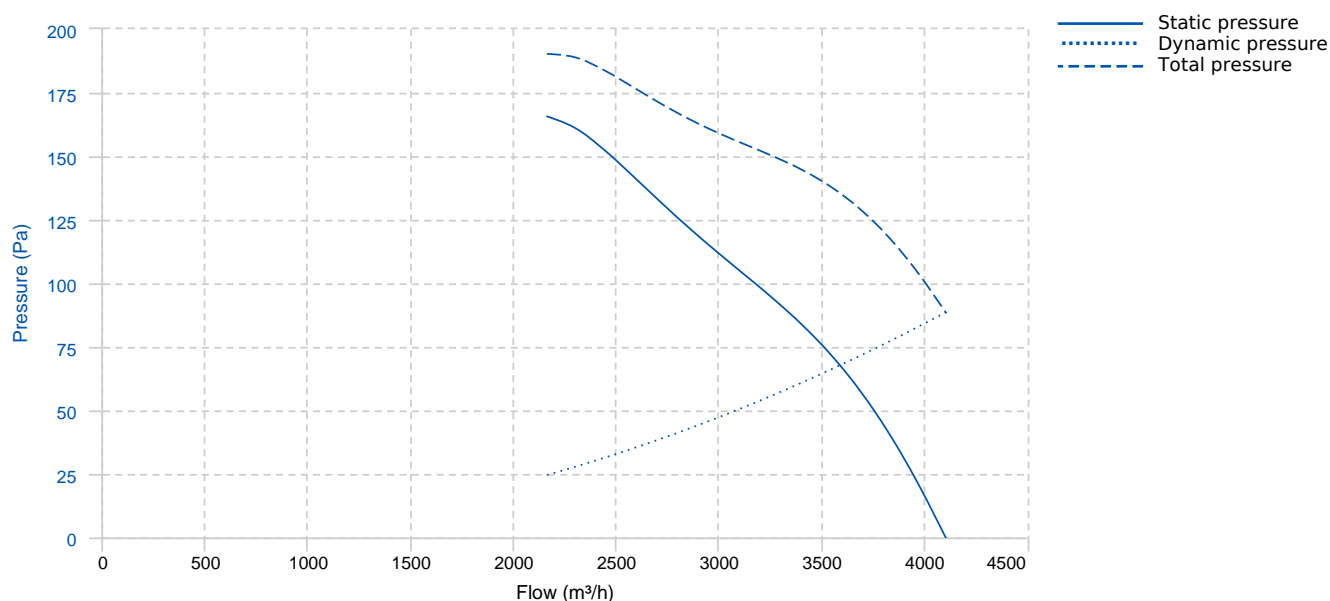
Designed for inline installation, they are suitable for:

- Air renewal in buildings and industries.
- Extraction of hot air up to 90°C.
- Maximum working temperature: carried air: 90°C, ambient 60°C.

UNDER REQUEST:

- Supply impeller (air direction from impeller to motor),
- Reversible impeller.
- Polyamide impeller.
- 60Hz fans and special voltages.
- 2 speed motors.
- Hot-dipped galvanised.

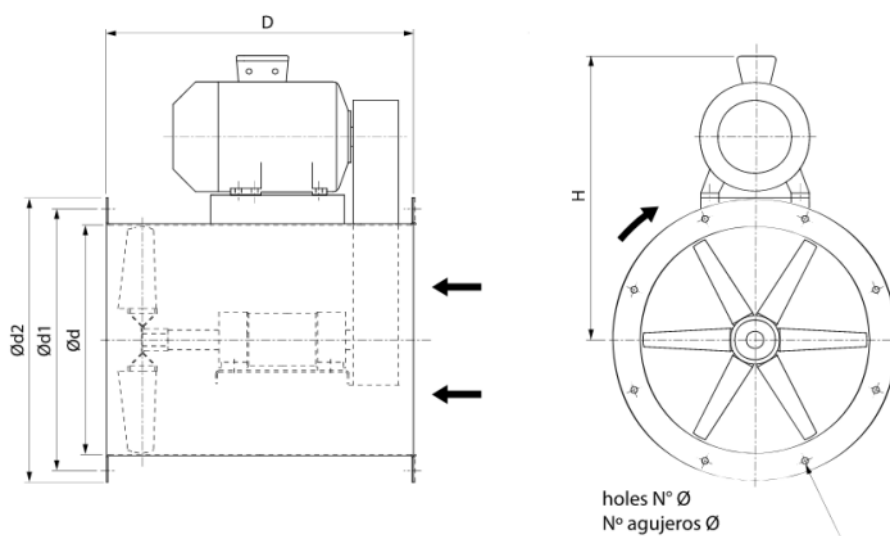
PERFORMANCE CURVE



TECHNICAL DATA

Fan							
RPM	2800	Approx. weight	31 kg	Max. Flow	4110 m ³ /h		
Motor							
Power	0,55 kW	RPM	2800	I max. (230V)	2,23 A	I max. (400V)	1,29 A
Size	71	Approx. weight	6.8 kg				

DIMENSIONS



Dimensions (mm)									
D	475	H	400	N	8	d	355	d1	405
d2	440	Ø	12						

ACCESSORIES



SAFETY SWITCH
INT 25 3P A
REF: INT253PA



CONNECTION FLANGE
AC 350
REF: 960003211



ANTI-VIBRATION JOINT
JE 45
REF: 300719201



CIRCULAR-CIRCULAR ANTI-VIBRATION FLANGE
BAD 10 (Ø350)
REF: 960003460



FREQUENCY SPEED CONTROLLER
SFC 400 III 2,2A *
REF: SFC400III2



INLET PROTECTION GUARD FOR CENTRIFUGAL
FANS
RA 360x8
REF: 510003600



FREQUENCY SPEED CONTROLLER
SFC 230 I 2,5A *
REF: SFC230I003