

HH-2 50 T4 0,55kW (280504106)

GENERAL DATA



EXTERNAL MOTOR, VARIABLE PITCH BLADES

MANUFACTURING FEATURES:

- Long case fan.
 - Transmission ball bearings set inside a sealed cast iron box.
 - Cast aluminium impeller with variable pitch angle in origin.
 - Polyester powder finishing coat.
 - Standard asynchronous squirrel-cage motor with IP-55 protection and Class F insulation.
- Manufactured with standard voltages: 230V 50Hz in single phase motors and 230/400V 50Hz in three phase motors, up to 4kW and 400/690V 50Hz for higher powers.
- Inspection door.

APPLICATIONS:

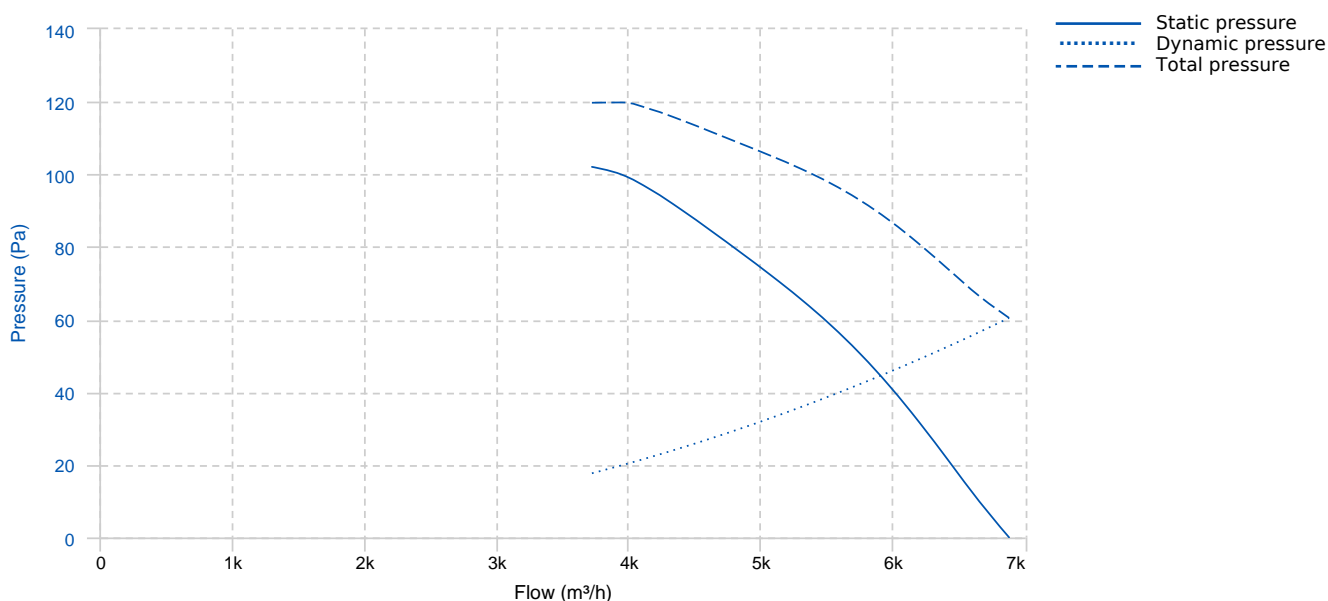
Designed for inline installation, they are suitable for:

- Air renewal in buildings and industries.
- Extraction of hot air up to 90°C.
- Maximum working temperature: carried air: 90°C, ambient 60°C.

UNDER REQUEST:

- Supply impeller (air direction from impeller to motor),
- Reversible impeller.
- Polyamide impeller.
- 60Hz fans and special voltages.
- 2 speed motors.
- Hot-dipped galvanised.

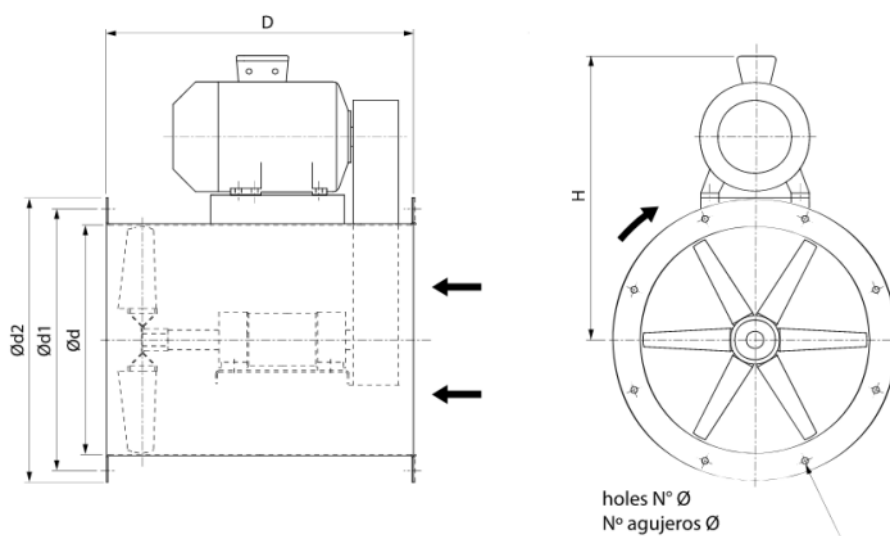
PERFORMANCE CURVE



TECHNICAL DATA

| Fan | | | | | | | |
|-------|---------|----------------|-------|----------------|------------------------|---------------|--------|
| RPM | 1440 | Approx. weight | 55 kg | Max. Flow | 6880 m ³ /h | | |
| Motor | | | | | | | |
| Power | 0,55 kW | RPM | 1440 | I max. (230V) | 2,57 A | I max. (400V) | 1,49 A |
| Size | 80 | Approx. weight | 9 kg | Efficiency (%) | 73.5 % | | |

DIMENSIONS



| Dimensions (mm) | | | | | | | | | |
|-----------------|-----|---|-----|---|----|---|-----|----|-----|
| D | 560 | H | 500 | N | 12 | d | 500 | d1 | 551 |
| d2 | 585 | Ø | 14 | | | | | | |

ACCESSORIES



SAFETY SWITCH
INT 25 3P A
REF: INT253PA



CONNECTION FLANGE
AC 500
REF: 960003214



ANTI-VIBRATION JOINT
JE 45
REF: 300719201



CIRCULAR-CIRCULAR ANTI-VIBRATION FLANGE
BAD 13 (Ø500)
REF: 960003463



FREQUENCY SPEED CONTROLLER
SFC 400 III 2,2A *
REF: SFC400III2



INLET PROTECTION GUARD FOR CENTRIFUGAL
FANS
RA 505x12
REF: 510005001



FREQUENCY SPEED CONTROLLER
SFC 230 I 4,2A *
REF: SFC230I004