

# HJBM PLUS 30 M4 0,08kW (268313103)

## GENERAL DATA



SQUARE WALL PLATE FAN, VARIABLE PITCH BLADES AND HIGH EFFICIENCY MOTOR

### MANUFACTURING FEATURES

- Square plate made of galvanized steel sheet with polyester painting.
- Variable pitch angle polyamide impeller reinforced with fibreglass.
- Supplied with motor support and protection guard according to the UNE-EN 20-359-74 norm and the ROHS 2002/95/EC Directive (Restriction of the Use of Certain Hazardous Substances in Electrical and Electronic Equipments).
- High efficiency standard asynchronous squirrel-cage motor with IP-55 or IP-54 protection (wiring box IP-65) and Class F insulation. Manufactured with standard voltages: 230V 50Hz for the single phase motors and 230/400V 50Hz for the three phase motors.

### APPLICATIONS

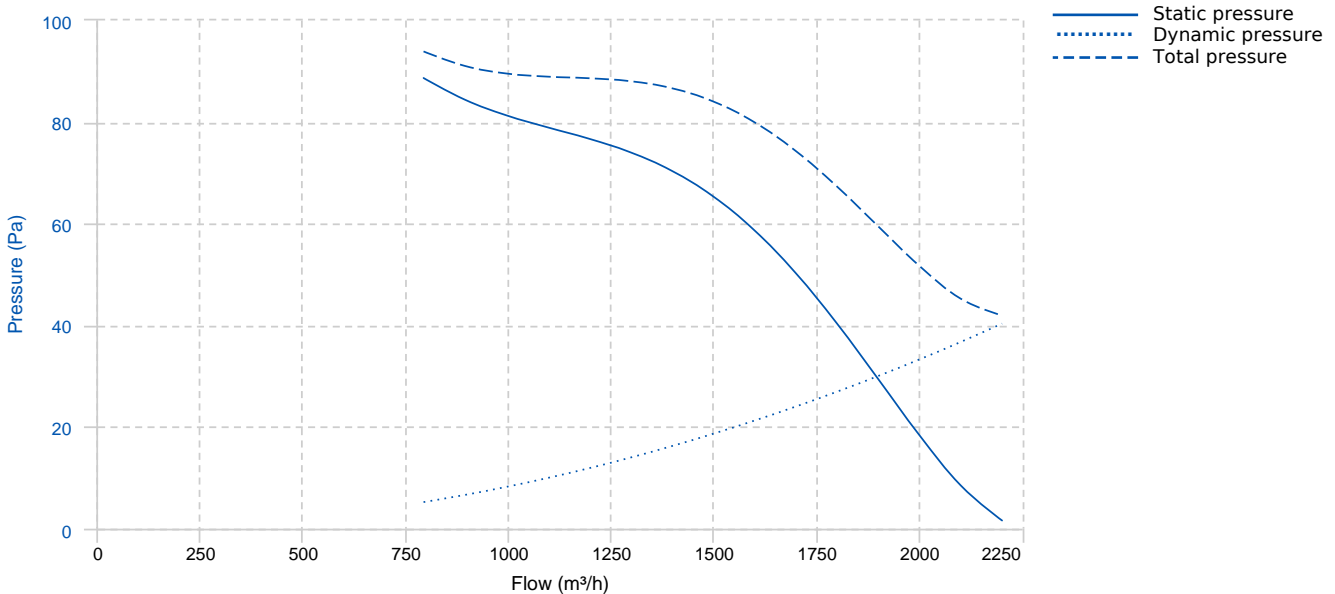
Designed for wall assembly, they are suitable for:

- Air renewal in buildings and industries.
- Maximum working temperature: single phase 50°C, three phase 60°C.

### UNDER REQUEST

- Aluminium impeller.
- 60Hz fans.

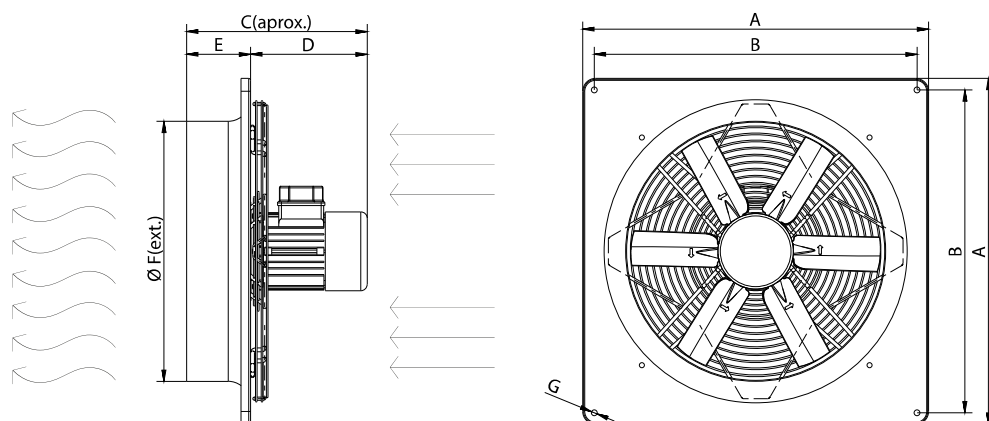
## PERFORMANCE CURVE



## TECHNICAL DATA

Fan					
RPM	1370	Approx. weight	5 kg	Max. Flow	2210 m³/h
Motor					
Power	0,08 kW	RPM	1370	I max. (230V)	0,9 A

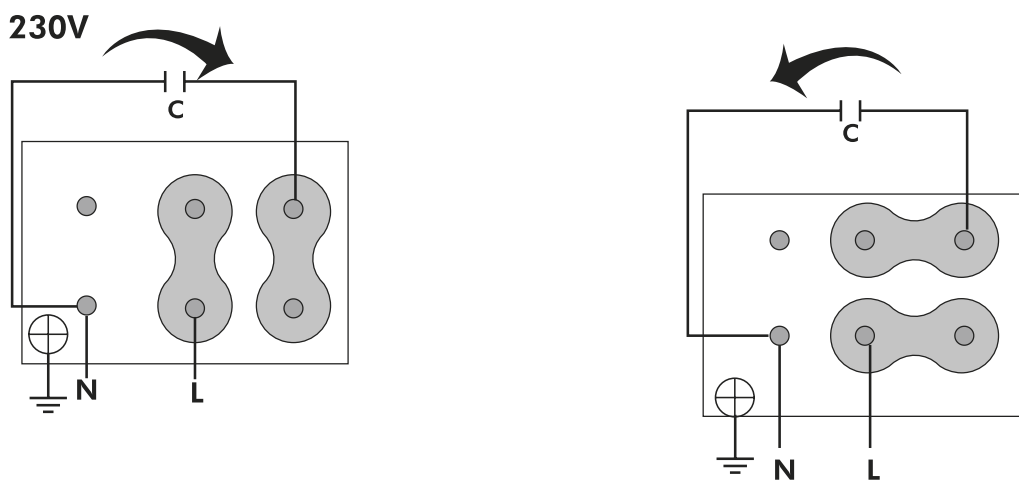
## DIMENSIONS



### Dimensions (mm)

A	404	B	337	C	255,5	D	173,5	E	82
ØF	308	ØG	9						

## WIRING DIAGRAM



## ACCESSORIES



**SAFETY SWITCH**  
**INT 25 3P A**  
REF: INT253PA



**Outlet protection guard for axial fans**  
**RPO 30**  
REF: 980000030

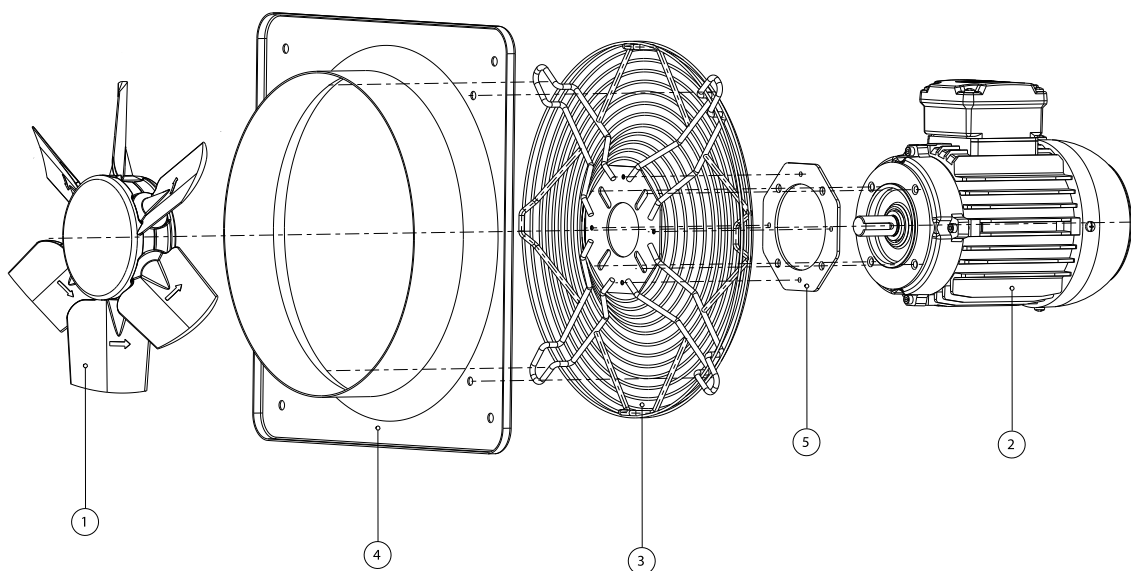


**PLASTIC GRAVITY SHUTTER**  
**PCP 30**  
REF: 963220105G



**ALUMINIUM GRAVITY SHUTTER**  
**PC2 30**  
REF: PC23030

## SPARE PARTS



	Code	Model	Qty
1	R-H30006040PSTD	IMPELLER 300:AP0:6 G40 D9	x1
2	720301100	MOTOR 0,04kW M4 B14 230V	x1
3	R-268301902	PROTECTION GRID HJBM30	x1
4	R-265311778A001	FRAME HJEM-HJBM30	x1
5	R-268251909	SUPPORT MOTOR DISC HJBM25-30 T.56	x1