

HJBM PLUS 45 M4 0,37kW (268453103)

GENERAL DATA



SQUARE WALL PLATE FAN, VARIABLE PITCH BLADES AND HIGH EFFICIENCY MOTOR

MANUFACTURING FEATURES

- Square plate made of galvanized steel sheet with polyester painting.
- Variable pitch angle polyamide impeller reinforced with fibreglass.
- Supplied with motor support and protection guard according to the UNE-EN 20-359-74 norm and the ROHS 2002/95/EC Directive (Restriction of the Use of Certain Hazardous Substances in Electrical and Electronic Equipments).
- High efficiency standard asynchronous squirrel-cage motor with IP-55 or IP-54 protection (wiring box IP-65) and Class F insulation. Manufactured with standard voltages: 230V 50Hz for the single phase motors and 230/400V 50Hz for the three phase motors.

APPLICATIONS

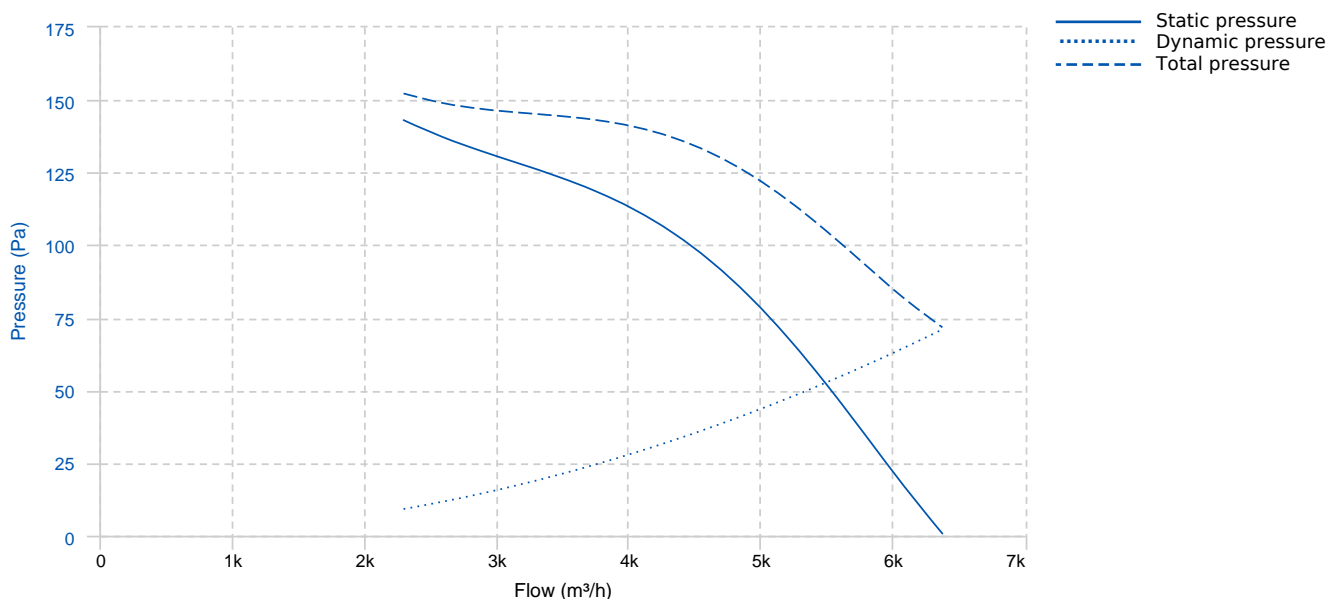
Designed for wall assembly, they are suitable for:

- Air renewal in buildings and industries.
- Maximum working temperature: single phase 50°C, three phase 60°C.

UNDER REQUEST

- Aluminium impeller.
- 60Hz fans.

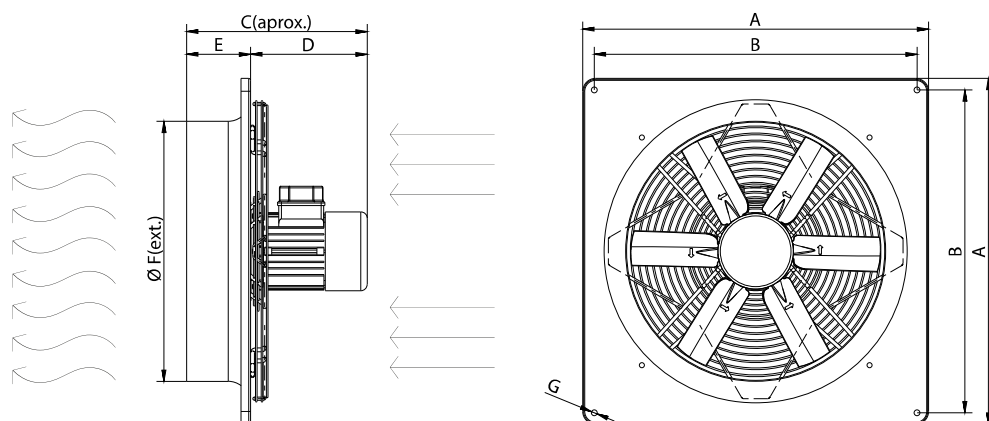
PERFORMANCE CURVE



TECHNICAL DATA

Fan							
RPM	1400	Approx. weight	13 kg	Max. Flow	6380 m³/h		
Motor							
Power	0,37 kW	RPM	1400	Capacitor	16µF 450V	I max. (230V)	2,82 A
Size	71	Approx. weight	6.5 kg	Efficiency (%)	62 %	FP	0.95

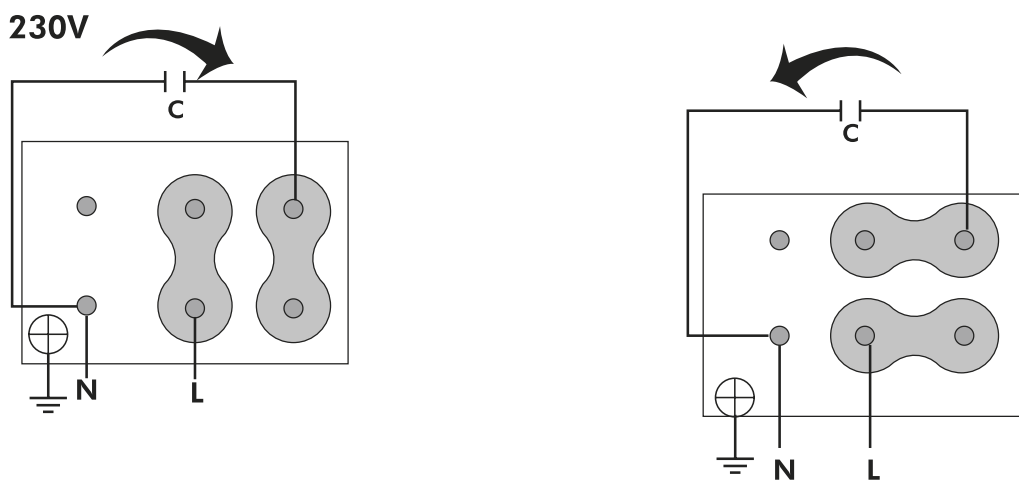
DIMENSIONS



Dimensions (mm)

A	576	B	521,5	C	310	D	210	E	100
ØF	455	ØG	11						

WIRING DIAGRAM



ACCESSORIES



SAFETY SWITCH
INT 25 3P A
REF: INT253PA



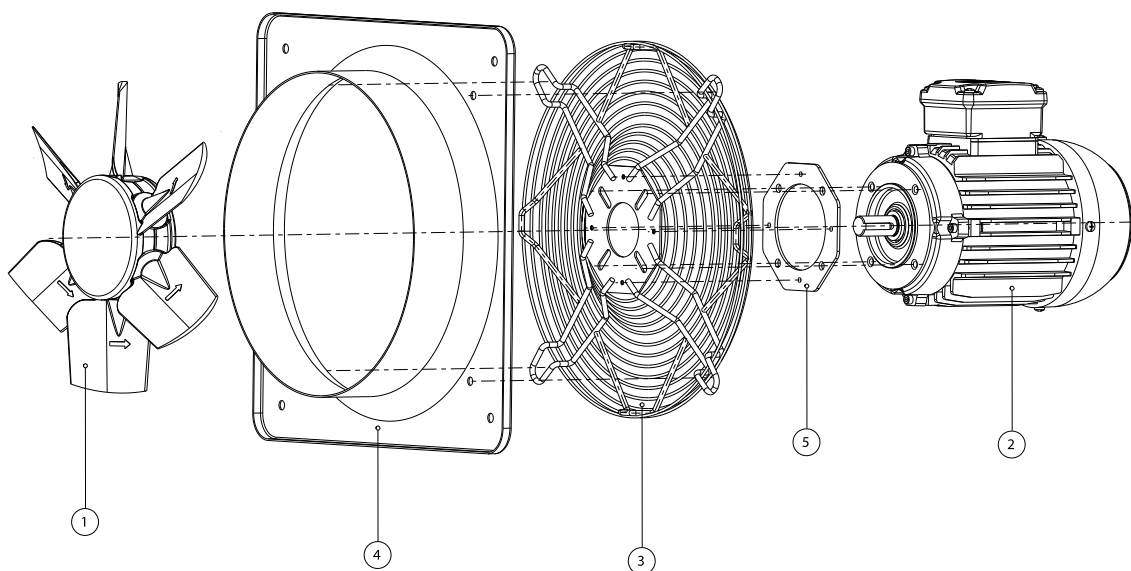
Outlet protection guard for axial fans
RP0 45
REF: 980000045

PLASTIC GRAVITY SHUTTER
PCP 45
REF: 963240105G



ALUMINIUM GRAVITY SHUTTER
PC2 50
REF: PC25050

SPARE PARTS



	Code	Model	Qty
1	R-H45006240PSTD	IMPELLER 450:AP0:6 G40 D14	x1
2	720301129	MOTOR 0,37kW M4 B14 230V	x1
3	R-268451902	PROTECTION GRID HJBM45	x1
4	R-268451779A001	FRAME HJBM-HJBM EEC45	x1
5	R-268351909	SUPPORT MOTOR DISC HJBM25-30-35-40-45 T.71	x1