

IGNÉO 401 T4 0,55kW (IG401480)

GENERAL DATA



MEDIUM PRESSURE FAN WITH BACKWARD IMPELLER 400°C/2H CERTIFIED INSIDE THE HAZARDOUS AREA

MANUFACTURING FEATURES

- Medium pressure centrifugal fan with direct coupling.
- Reinforced housing made of carbon laminated steel, protected against corrosion by powder coating polyester resin RAL 5010. Finish C3.
- Casing fully latched and adjustable.
- Self-cleaning turbine and reinforced impeller with high-performance backward (reaction) blades made of carbon laminated steel dynamically balanced to minimize noise and vibrations. Graffiti black RAL 9005.
- Motor with S1 service class for continuous operation and approved 400°C / 2h for service class S2. IEC standardized asynchronous squirrel-cage motor with IP-55 protection and electrical insulation class H. Standard voltages 400V(Y) 50Hz in three phase motors up to 3kW and 400(D) 50Hz for higher powers.
- Motor with foot (B3) supported on motor support foot.
- Models of size 500 and above are supplied with a front support foot, for the other models the front support foot is optional.
- Inspection door to facilitate maintenance and cleaning.
- Available in the following orientations (to be indicated in case of order): LG0, LG45, LG90, LG135, LG180; LG225, LG270, LG315, RD0, RD45, RD90, RD135, RD180; RD225, RD270, RD315.
- Maximum working temperature in continuous: air transported: 130°C (service S1) and 400°C/2h (service S2), and maximum environment temperature: 60°C.

APPLICATIONS

Installation in conduit for the impulsion or aspiration of clean and dusty air in:

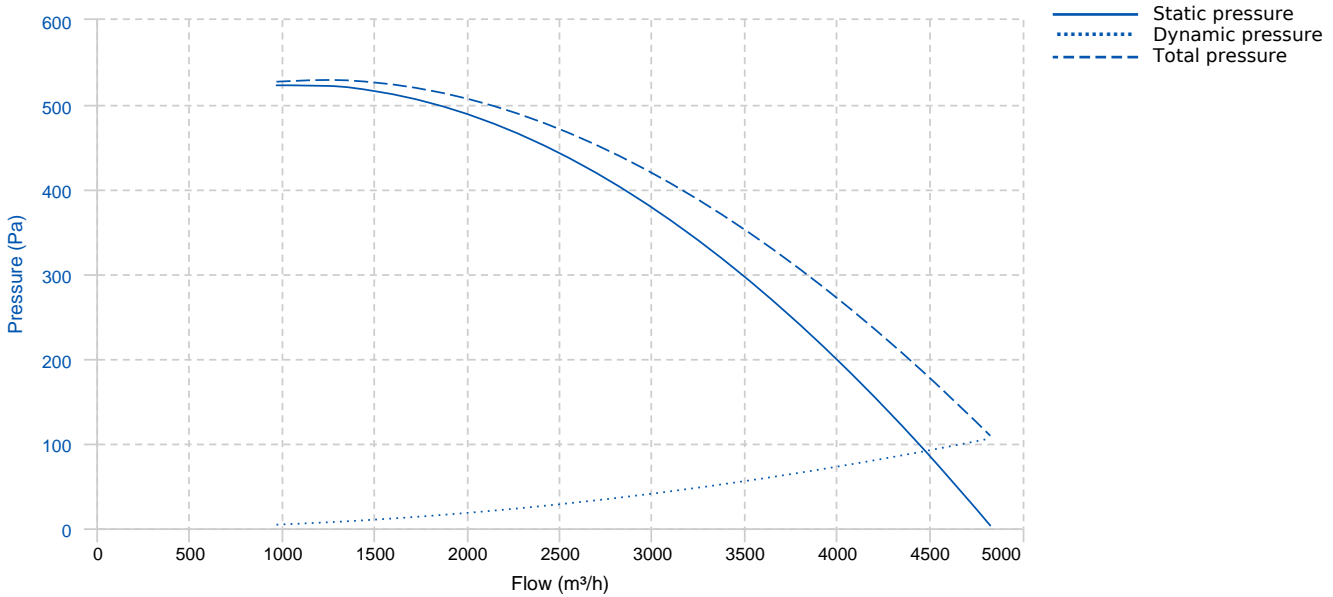
- Big buildings
- Malls
- Factories / Industrial buildings
- Warehouses
- Parking lots
- Catering / Hospitality
- Extraction of smoke
- Boilers and ovens
- Manufacture and treatment of chemical products.
- Tunnels, underground stations.

UNDER REQUEST

- Fans to work at 60Hz and special voltages.
- 2 speed motor.
- C4-C5
- Hot dip galvanized
- Fully welded housing (watertight)
- Drain plug

Official homologation by the European laboratory APPLUS according to EN 12101-3:2015

PERFORMANCE CURVE

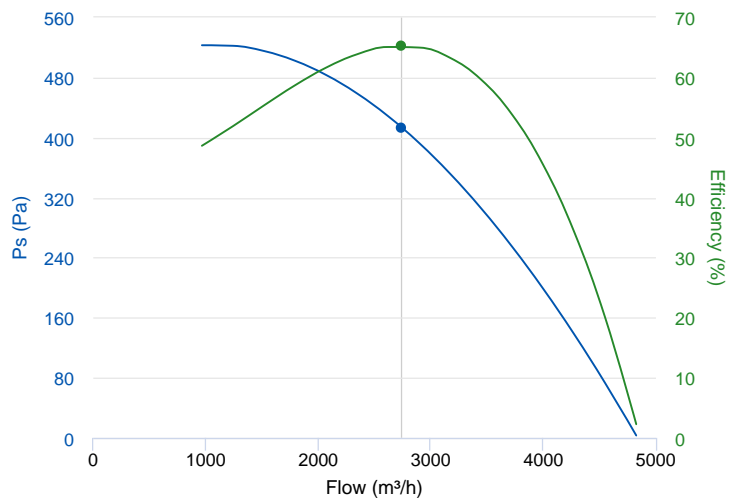


TECHNICAL DATA

Fan							
RPM	1398	Approx. weight	75 kg	Max. Flow	5080 m³/h		
Motor							
Power	0,55 kW	RPM	1398	I max. (400V)	1,42 A	Size	80
Approx. weight	11 kg	Efficiency (%)	75.8 %	FP	0.78		

ERP DATA

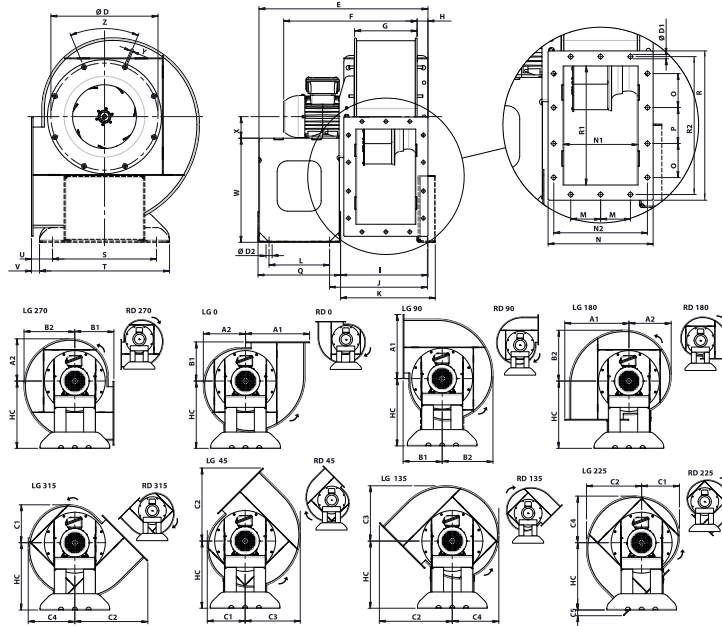
Fan data sheet		
Fan type	Centrifugal fan backward blades with casing	
Installation category	A: Outlet and Inlet free discharge	
Efficiency category	Static	
The fan has to be installed with VF	No	
Motor power (kW)	0.55	
	Fan values	ERP Requirements 2015
Max. efficiency (%)	65.22	44.2
Efficiency grade (N)	78.97	57.95
Pabs (kW)	0.49	
Flow (m³/h)	2741.55	
Static pressure (Pa)	413.55	
Speed (m/s)	1398	



Fan values	ERP Requirements 2015
------------	-----------------------------

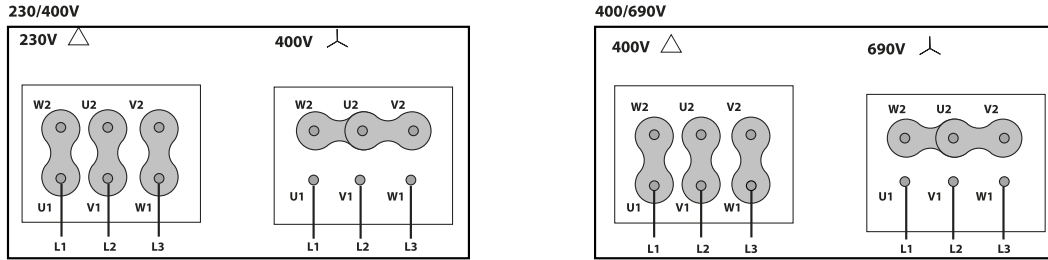
Specific ratio	1.00
----------------	------

DIMENSIONS



Dimensions (mm)									
A1	493	A2	328.2	B1	294.3	B2	396.1	C1	294.3
C2	556.7	C3	430.1	C4	362.2	C5	46.1	D	438
D1	11.5	D2	20	E	622.8	F	515	G	261
H	35.5	HC	510.6	I	380.4	J	342.9	K	367.4
L	205	M	106	N	332	N1	252	N2	302
O	120	P	120	Q	282.9	R	480	R1	400
R2	450	S	397	T	473	U	95.8	V	57.8
W	430.6	X	80	Y	M8	Z	8holes x45°		

WIRING DIAGRAM



ACCESSORIES



SAFETY SWITCH
INT 25 3P A
REF: INT253PA



INLET PROTECTION GUARD FOR CENTRIFUGAL FANS
RA 40/16
REF: 253511901



CONNECTION FLANGE
AC 400
REF: 960003212



ANTI-VIBRATING FLANGE 400°/2H
BA-400 40
REF: 960002054



ANTI-VIBRATION JOINT
JE 45
REF: 300719201



SAFETY SWITCH FOR 400°/2H
INT 400 25A 3P
REF: 508902501



OUTLET FLANGE FOR STORM MODELS
EIS 400x252-400
REF: EIS-4025240



OUTLET PROTECTION GUARD FOR STORM FANS
RIS 400x252
REF: RIS-40252E2



CIRCULAR-CIRCULAR COUPLING FLANGE FOR HIGH TEMPERATURES
BADS M0 400
REF: BADS-4040F4



RECTANGULAR-RECTANGULAR COUPLING FLANGE FOR HIGH TEMPERATURES
BIDS M0 252x400-200
REF: BIDS-40252F4



FREQUENCY SPEED CONTROLLER
SFC 230 I 4,2A *
REF: SFC230I004



FREQUENCY SPEED CONTROLLER
SFC 400 III 2,2A *
REF: SFC400III2



ANTI-VIBRATION RUBBER BLOCK
AVR (GENERIC)



ANTI-VIBRATION SPRING BLOCK
AVS (GENERIC)



**ACOUSTIC CABINS FOR CENTRIFUGAL FANS
AB (GENERIC)**



**FRONTAL FEET SUPORT
CPD-N40
REF: CPD-N40**



**MULTIPOSITION FRONTAL FEET SUPPORT
CPDMP-N40
REF: CPDMP-N40**

SPARE PARTS

	Code	Model	Qty
2	R-BAD-N40	INLET CONE 400	x1
3	721881136	MOTOR 0,55KW.4P B3 400G	x1