

IGNÉO 451 T4 1,1kW (IG451490)

GENERAL DATA



MEDIUM PRESSURE FAN WITH BACKWARD IMPELLER 400°C/2H CERTIFIED INSIDE THE HAZARDOUS AREA

MANUFACTURING FEATURES

- Medium pressure centrifugal fan with direct coupling.
- Reinforced housing made of carbon laminated steel, protected against corrosion by powder coating polyester resin RAL 5010. Finish C3.
- Casing fully latched and adjustable.
- Self-cleaning turbine and reinforced impeller with high-performance backward (reaction) blades made of carbon laminated steel dynamically balanced to minimize noise and vibrations. Graffiti black RAL 9005.
- Motor with S1 service class for continuous operation and approved 400°C / 2h for service class S2. IEC standardized asynchronous squirrel-cage motor with IP-55 protection and electrical insulation class H. Standard voltages 400V(Y) 50Hz in three phase motors up to 3kW and 400(D) 50Hz for higher powers.
- Motor with foot (B3) supported on motor support foot.
- Models of size 500 and above are supplied with a front support foot, for the other models the front support foot is optional.
- Inspection door to facilitate maintenance and cleaning.
- Available in the following orientations (to be indicated in case of order): LG0, LG45, LG90, LG135, LG180; LG225, LG270, LG315, RD0, RD45, RD90, RD135, RD180; RD225, RD270, RD315.
- Maximum working temperature in continuous: air transported: 130°C (service S1) and 400°C/2h (service S2), and maximum environment temperature: 60°C.

APPLICATIONS

Installation in conduit for the impulsion or aspiration of clean and dusty air in:

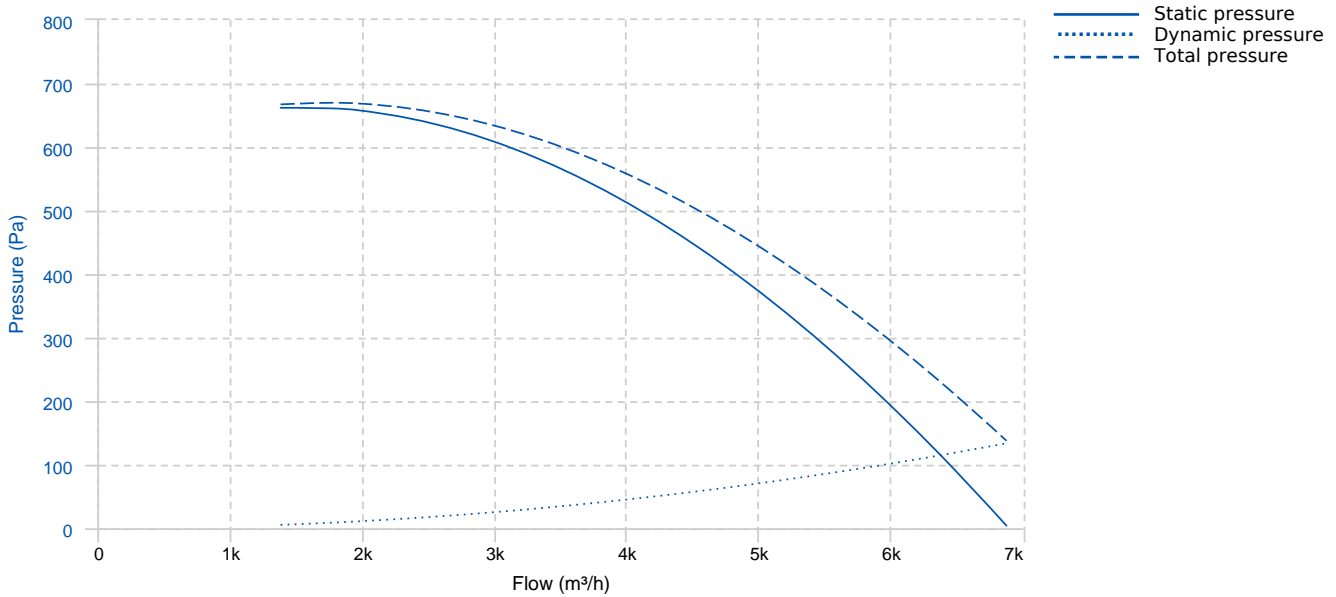
- Big buildings
- Malls
- Factories / Industrial buildings
- Warehouses
- Parking lots
- Catering / Hospitality
- Extraction of smoke
- Boilers and ovens
- Manufacture and treatment of chemical products.
- Tunnels, underground stations.

UNDER REQUEST

- Fans to work at 60Hz and special voltages.
- 2 speed motor.
- C4-C5
- Hot dip galvanized
- Fully welded housing (watertight)
- Drain plug

Official homologation by the European laboratory APPLUS according to EN 12101-3:2015

PERFORMANCE CURVE

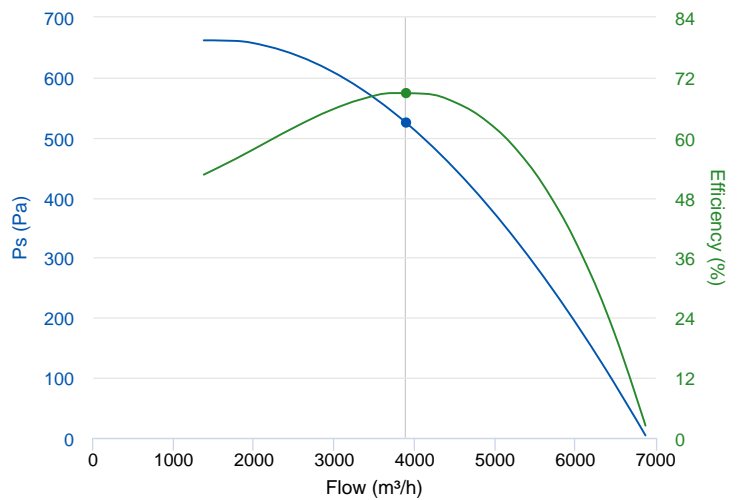


TECHNICAL DATA

Fan							
RPM	1392	Approx. weight	94 kg	Max. Flow	7240 m³/h		
Motor							
Power	1,1 kW	RPM	1392	I max. (400V)	2,7 A	Size	90L
Approx. weight	14 kg	Efficiency (%)	81.4 %	FP	0.78		

ERP DATA

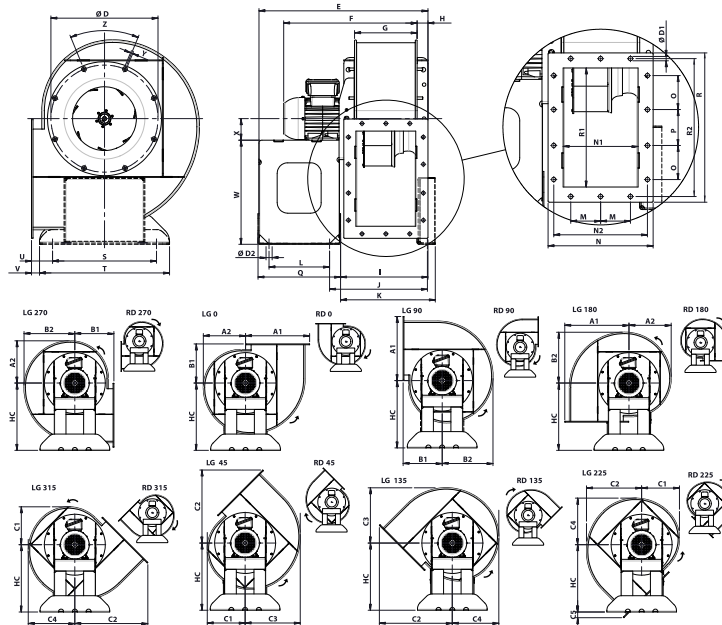
Fan data sheet		
Fan type	Centrifugal fan backward blades with casing	
Installation category	A: Outlet and Inlet free discharge	
Efficiency category	Static	
The fan has to be installed with VF	No	
Motor power (kW)	1.1	
	Fan values	ERP Requirements 2015
Max. efficiency (%)	69.01	46.62
Efficiency grade (N)	80.34	57.95
Pabs (kW)	0.834	
Flow (m³/h)	3894.7	
Static pressure (Pa)	524.4	
Speed (m/s)	1392	



Fan values	ERP Requirements 2015
------------	-----------------------------

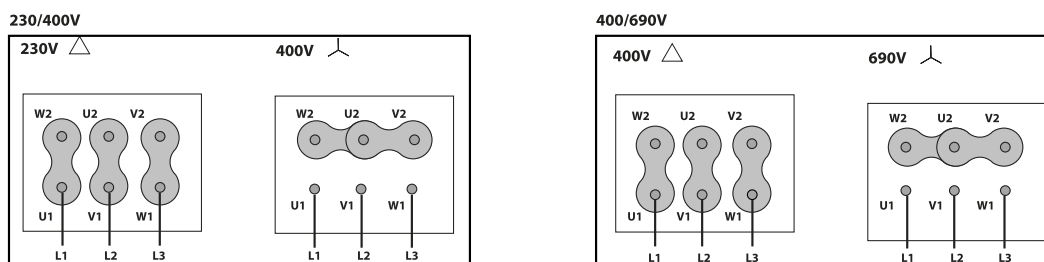
Specific ratio	1.01
----------------	------

DIMENSIONS



Dimensions (mm)									
A1	549.3	A2	367.7	B1	325.4	B2	444	C1	329.6
C2	618.5	C3	482.2	C4	405.9	C5	47.9	D	485
D1	11.5	D2	20	E	668	F	595.5	G	293
H	48.5	HC	570.6	I	437.6	J	394.4	K	428.9
L	185	M	112	N	364	N1	284	N2	334
O	130	P	130	Q	264.6	R	530	R1	450
R2	500	S	487	T	563	U	126.9	V	43.9
W	480.6	X	90	Y	M8	Z	8holes x45°		

WIRING DIAGRAM



ACCESSORIES



SAFETY SWITCH
INT 25 3P A
REF: INT253PA



CONNECTION FLANGE
AC 450
REF: 960003213



ANTI-VIBRATION JOINT
JE 45
REF: 300719201



OUTLET FLANGE FOR STORM MODELS
EIS 450x284-450
REF: EIS-4528445



CIRCULAR-CIRCULAR COUPLING FLANGE FOR HIGH TEMPERATURES
BADS M0 450
REF: BADS-4545F4



FREQUENCY SPEED CONTROLLER
SFC 230 I 7A *
REF: SFC230I007



ANTI-VIBRATION RUBBER BLOCK
AVR (GENERIC)



INLET PROTECTION GUARD FOR CENTRIFUGAL FANS
RA 45/18
REF: 253531901



ANTI-VIBRATING FLANGE 400°/2H
BA-400 45
REF: 960002055



SAFETY SWITCH FOR 400°C/2h
INT 400 25A 3P
REF: 508902501



OUTLET PROTECTION GUARD FOR STORM FANS
RIS 450x284
REF: RIS-45284E2



RECTANGULAR-RECTANGULAR COUPLING FLANGE FOR HIGH TEMPERATURES
BIDS M0 284x450-200
REF: BIDS-45284F4



FREQUENCY SPEED CONTROLLER
SFC 400 III 3,6A *
REF: SFC400III4



ANTI-VIBRATION SPRING BLOCK
AVS (GENERIC)



**ACOUSTIC CABINS FOR CENTRIFUGAL FANS
AB (GENERIC)**



**FRONTAL FEET SUPORT
CPD-N45
REF: CPD-N45**



**MULTIPOSITION FRONTAL FEET SUPPORT
CPDMP-N45
REF: CPDMP-N45**

SPARE PARTS

	Code	Model	Qty
2	R-BAD-N45	INLET CONE 450	x1
3	721881150	MOTOR 1,1KW T4 B3 400G	x1