

IGNÉO 501 T4 1,5kW (IG501490)

GENERAL DATA



MEDIUM PRESSURE FAN WITH BACKWARD IMPELLER 400°C/2H CERTIFIED INSIDE THE HAZARDOUS AREA

MANUFACTURING FEATURES

- Medium pressure centrifugal fan with direct coupling.
- Reinforced housing made of carbon laminated steel, protected against corrosion by powder coating polyester resin RAL 5010. Finish C3.
- Casing fully latched and adjustable.
- Self-cleaning turbine and reinforced impeller with high-performance backward (reaction) blades made of carbon laminated steel dynamically balanced to minimize noise and vibrations. Graffiti black RAL 9005.
- Motor with S1 service class for continuous operation and approved 400°C / 2h for service class S2. IEC standardized asynchronous squirrel-cage motor with IP-55 protection and electrical insulation class H. Standard voltages 400V(Y) 50Hz in three phase motors up to 3kW and 400(D) 50Hz for higher powers.
- Motor with foot (B3) supported on motor support foot.
- Models of size 500 and above are supplied with a front support foot, for the other models the front support foot is optional.
- Inspection door to facilitate maintenance and cleaning.
- Available in the following orientations (to be indicated in case of order): LG0, LG45, LG90, LG135, LG180; LG225, LG270, LG315, RD0, RD45, RD90, RD135, RD180; RD225, RD270, RD315.
- Maximum working temperature in continuous: air transported: 130°C (service S1) and 400°C/2h (service S2), and maximum environment temperature: 60°C.

APPLICATIONS

Installation in conduit for the impulsion or aspiration of clean and dusty air in:

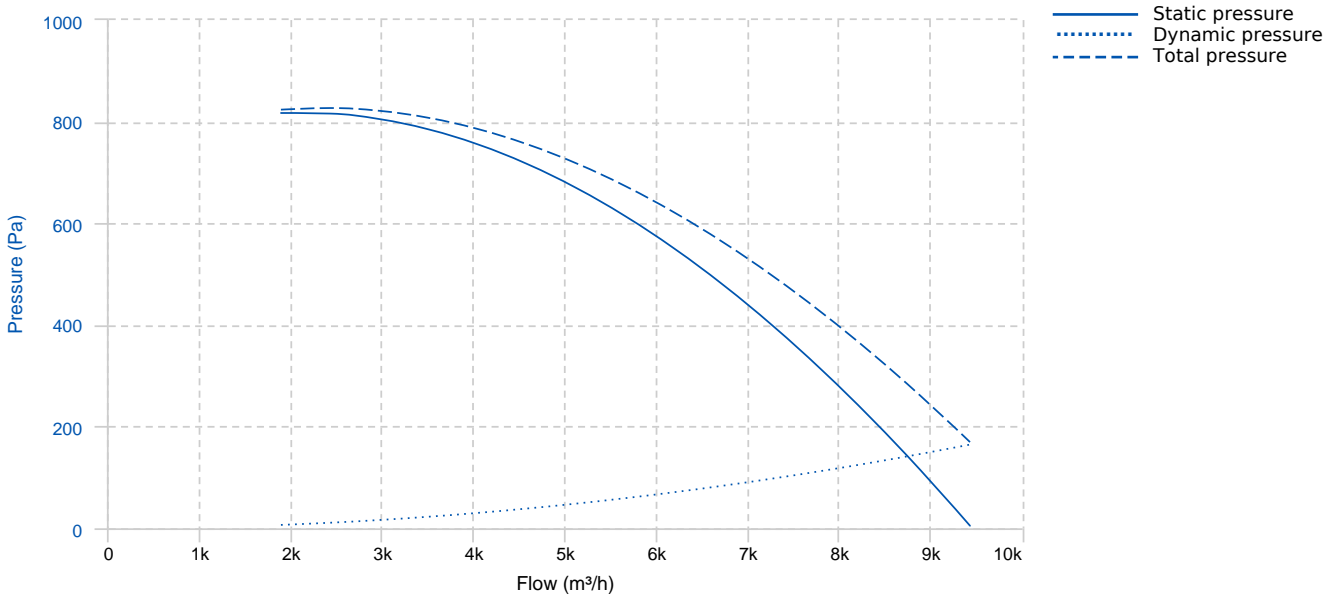
- Big buildings
- Malls
- Factories / Industrial buildings
- Warehouses
- Parking lots
- Catering / Hospitality
- Extraction of smoke
- Boilers and ovens
- Manufacture and treatment of chemical products.
- Tunnels, underground stations.

UNDER REQUEST

- Fans to work at 60Hz and special voltages.
- 2 speed motor.
- C4-C5
- Hot dip galvanized
- Fully welded housing (watertight)
- Drain plug

Official homologation by the European laboratory APPLUS according to EN 12101-3:2015

PERFORMANCE CURVE

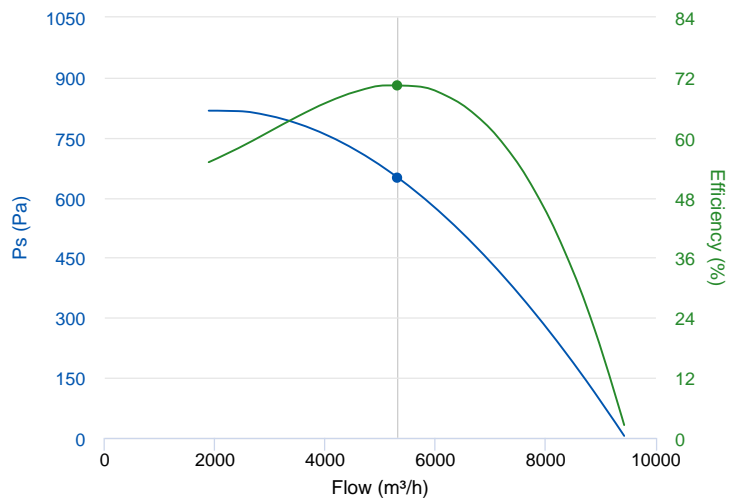


TECHNICAL DATA

Fan							
RPM	1410	Approx. weight	130 kg	Max. Flow	9930 m³/h		
Motor							
Power	1,5 kW	RPM	1410	I max. (400V)	3,6 A	Size	90L
Approx. weight	17.5 kg	Efficiency (%)	83.7 %	FP	0.75		

ERP DATA

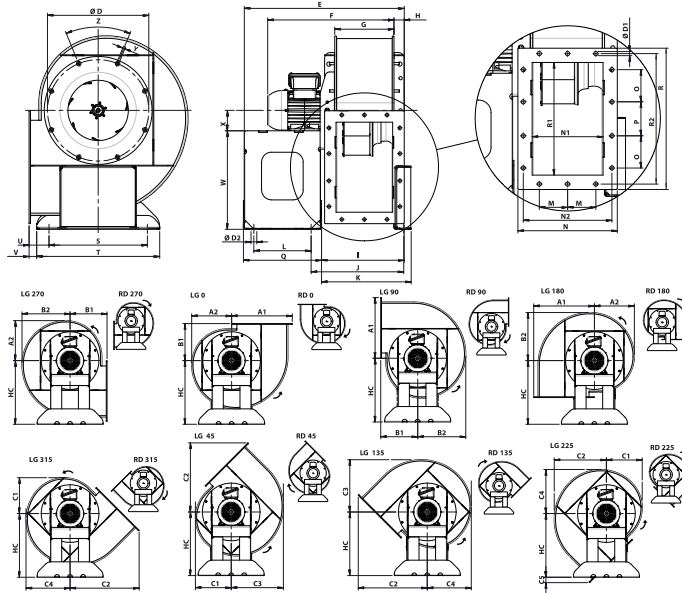
Fan data sheet		
Fan type	Centrifugal fan backward blades with casing	
Installation category	A: Outlet and Inlet free discharge	
Efficiency category	Static	
The fan has to be installed with VF	No	
Motor power (kW)	1.5	
	Fan values	ERP Requirements 2015
Max. efficiency (%)	70.53	48.93
Efficiency grade (N)	79.55	57.95
Pabs (kW)	1.382	
Flow (m³/h)	5325.57	
Static pressure (Pa)	649.13	
Speed (m/s)	1410	



Fan values	ERP Requirements 2015
------------	-----------------------------

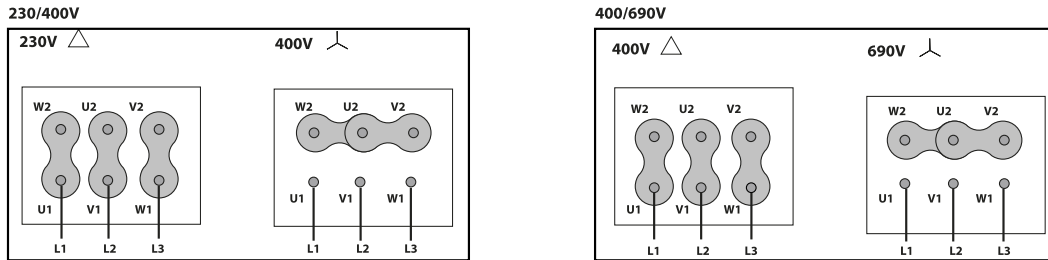
Specific ratio	1.01
----------------	------

DIMENSIONS



Dimensions (mm)									
A1	606	A2	407.4	B1	356.6	B2	492.2	C1	365
C2	680.66	C3	534.6	C4	449.8	C5	50.06	D	535
D1	11.5	D2	20	E	714.8	F	623.07	G	325
H	58.5	HC	625.6	I	427.16	J	470.16	K	460.26
L	185	M	128	N	396	N1	316	N2	366
O	147	P	146	Q	264.64	R	580	R1	500
R2	550	S	397	T	563	U	158.1	V	75.1
W	535.6	X	90	Y	M8	Z	8x45°		

WIRING DIAGRAM



ACCESSORIES



SAFETY SWITCH
INT 25 3P A
REF: INT253PA



INLET PROTECTION GUARD FOR CENTRIFUGAL FANS
RA 50/16
REF: 243501901



CONNECTION FLANGE
AC 500
REF: 960003214



ANTI-VIBRATING FLANGE 400°/2H
BA-400 50
REF: 960002064



ANTI-VIBRATION JOINT
JE 45
REF: 300719201



SAFETY SWITCH FOR 400°/2H
INT 400 25A 3P
REF: 508902501



OUTLET FLANGE FOR STORM MODELS
EIS 500x316-500
REF: EIS-5031650



OUTLET PROTECTION GUARD FOR STORM FANS
RIS 500x316
REF: RIS-50316E2



CIRCULAR-CIRCULAR COUPLING FLANGE FOR HIGH TEMPERATURES
BADS M0 500
REF: BADS-5050F4



RECTANGULAR-RECTANGULAR COUPLING FLANGE FOR HIGH TEMPERATURES
BIDS M0 316x500-200
REF: BIDS-50316F4



FREQUENCY SPEED CONTROLLER
SFC 230 I 7A *
REF: SFC230I007



FREQUENCY SPEED CONTROLLER
SFC 400 III 3,6A *
REF: SFC400III4



ANTI-VIBRATION RUBBER BLOCK
AVR (GENERIC)



ANTI-VIBRATION SPRING BLOCK
AVS (GENERIC)



**ACOUSTIC CABINS FOR CENTRIFUGAL FANS
AB (GENERIC)**



**FRONTAL FEET SUPORT
CPD-N50
REF: CPD-N50**



**MULTIPOSITION FRONTAL FEET SUPPORT
CPDMP-N50
REF: CPDMP-N50**

SPARE PARTS

	Code	Model	Qty
2	R-BAD-N50	INLET CONE 500	x1
3	721881156IE3	MOTOR 1,5KW 4P B3 400G	x1