

IGNÉO 561 T4 3kW (IG5614100)

GENERAL DATA



MEDIUM PRESSURE FAN WITH BACKWARD IMPELLER 400°C/2H CERTIFIED INSIDE THE HAZARDOUS AREA

MANUFACTURING FEATURES

- Medium pressure centrifugal fan with direct coupling.
- Reinforced housing made of carbon laminated steel, protected against corrosion by powder coating polyester resin RAL 5010. Finish C3.
- Casing fully latched and adjustable.
- Self-cleaning turbine and reinforced impeller with high-performance backward (reaction) blades made of carbon laminated steel dynamically balanced to minimize noise and vibrations. Graffiti black RAL 9005.
- Motor with S1 service class for continuous operation and approved 400°C / 2h for service class S2. IEC standardized asynchronous squirrel-cage motor with IP-55 protection and electrical insulation class H. Standard voltages 400V(Y) 50Hz in three phase motors up to 3kW and 400(D) 50Hz for higher powers.
- Motor with foot (B3) supported on motor support foot.
- Models of size 500 and above are supplied with a front support foot, for the other models the front support foot is optional.
- Inspection door to facilitate maintenance and cleaning.
- Available in the following orientations (to be indicated in case of order): LG0, LG45, LG90, LG135, LG180; LG225, LG270, LG315, RD0, RD45, RD90, RD135, RD180; RD225, RD270, RD315.
- Maximum working temperature in continuous: air transported: 130°C (service S1) and 400°C/2h (service S2), and maximum environment temperature: 60°C.

APPLICATIONS

Installation in conduit for the impulsion or aspiration of clean and dusty air in:

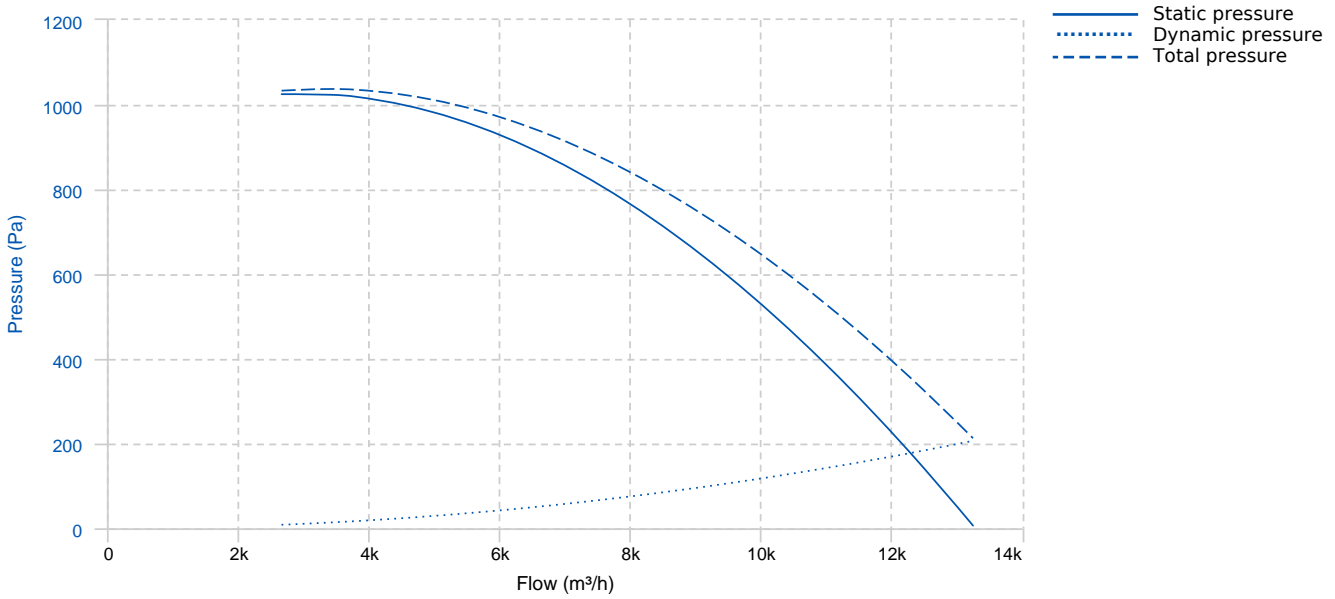
- Big buildings
- Malls
- Factories / Industrial buildings
- Warehouses
- Parking lots
- Catering / Hospitality
- Extraction of smoke
- Boilers and ovens
- Manufacture and treatment of chemical products.
- Tunnels, underground stations.

UNDER REQUEST

- Fans to work at 60Hz and special voltages.
- 2 speed motor.
- C4-C5
- Hot dip galvanized
- Fully welded housing (watertight)
- Drain plug

Official homologation by the European laboratory APPLUS according to EN 12101-3:2015

PERFORMANCE CURVE

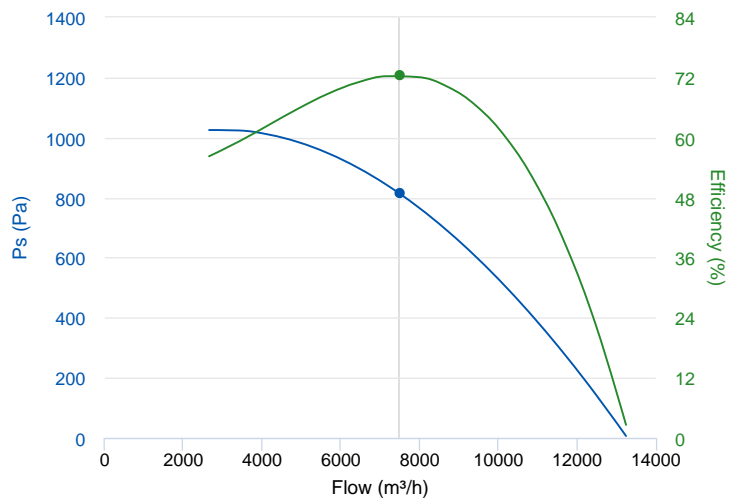


TECHNICAL DATA

Fan							
RPM	1420	Approx. weight	158 kg	Max. Flow	13940 m³/h		
Motor							
Power	3 kW	RPM	1420	I max. (400V)	6,12 A	Size	100L
Approx. weight	28.5 kg	Efficiency (%)	89.1 %	FP	0.81		

ERP DATA

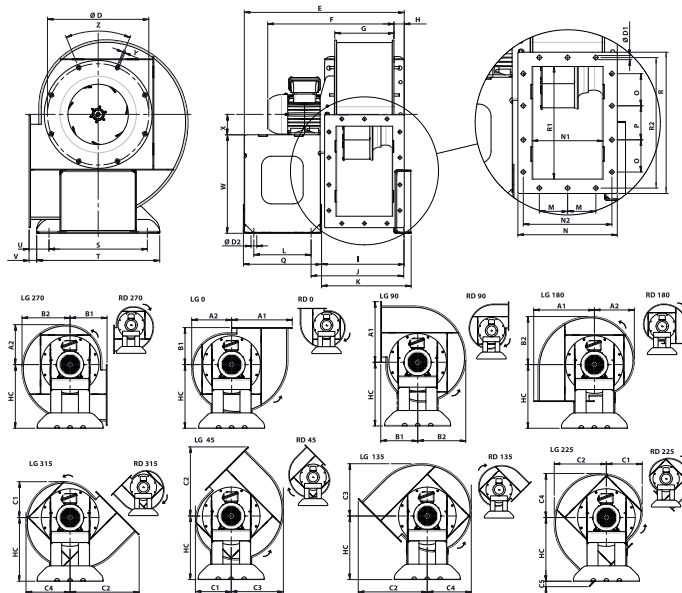
Fan data sheet		
Fan type	Centrifugal fan backward blades with casing	
Installation category	A: Outlet and Inlet free discharge	
Efficiency category	Static	
The fan has to be installed with VF	No	
Motor power (kW)	3	
	Fan values	ERP Requirements 2015
Max. efficiency (%)	72.38	51.39
Efficiency grade (N)	78.93	57.95
Pabs (kW)	2.374	
Flow (m³/h)	7490.42	
Static pressure (Pa)	813.51	
Speed (m/s)	1420	



Fan values	ERP Requirements 2015
------------	-----------------------

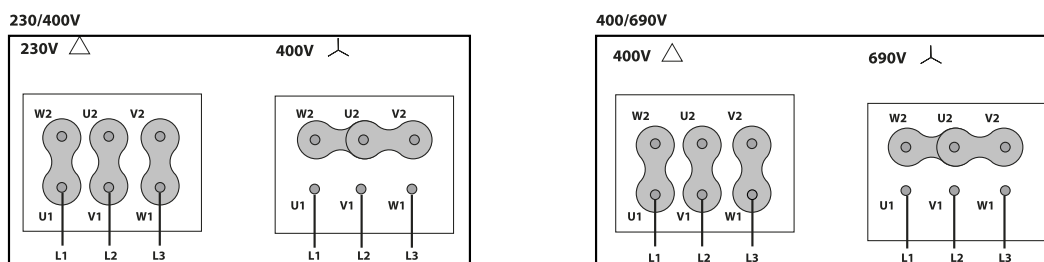
Specific ratio	1.01
----------------	------

DIMENSIONS



Dimensions (mm)									
A1	674	A2	455	B1	394	B2	550	C1	407.5
C2	755.19	C3	597.5	C4	502.5	C5	60.19	D	608
D1	11.5	D2	20	E	752.8	F	702	G	363
H	58.5	HC	695	I	465.16	J	508.55	K	498.26
L	185	M	147	N	434	N1	354	N2	404
O	165	P	170	Q	264.64	R	640	R1	560
R2	610	S	397	T	593	U	195.5	V	112.5
W	595	X	100	Y	M8	Z	16x22,5 ^ø		

WIRING DIAGRAM



ACCESSORIES



SAFETY SWITCH
INT 25 3P A
REF: INT253PA



CONNECTION FLANGE
AC 560
REF: 960003215



ANTI-VIBRATION JOINT
JE 45
REF: 300719201



OUTLET FLANGE FOR STORM MODELS
EIS 560x354-560
REF: EIS-5635456



CIRCULAR-CIRCULAR COUPLING FLANGE FOR HIGH TEMPERATURES
BADS M0 560
REF: BADS-5656F4



FREQUENCY SPEED CONTROLLER
SFC 400 III 8A *
REF: SFC400III8



ANTI-VIBRATION SPRING BLOCK
AVS (GENERIC)



INLET PROTECTION GUARD FOR CENTRIFUGAL FANS
RA 56/18
REF: 243561901



ANTI-VIBRATING FLANGE 400°/2H
BA-400 56
REF: 960002056



SAFETY SWITCH FOR 400°C/2h
INT 400 25A 3P
REF: 508902501



OUTLET PROTECTION GUARD FOR STORM FANS
RIS 560x354
REF: RIS-56354E2



RECTANGULAR-RECTANGULAR COUPLING FLANGE FOR HIGH TEMPERATURES
BIDS M0 354x560-200
REF: BIDS-56354F4



ANTI-VIBRATION RUBBER BLOCK
AVR (GENERIC)



ACOUSTIC CABINS FOR CENTRIFUGAL FANS
AB (GENERIC)



FRONTAL FEET SUPORT
CPD-N56
REF: CPD-N56



MULTIPOSITION FRONTAL FEET SUPPORT
CPDMP-N56
REF: CPDMP-N56

SPARE PARTS

	Code	Model	Qty
2	R-BAD-N56V2	INLET CONE 560	x1
3	7218811692V	MOTOR 3/0,55kW T4/T8 B3 400V 400G	x1