

JFC CORE 355/H T2 UN F300 (274360188F3)

GENERAL DATA



LONG CASE AXIAL FAN 300°C/2H

MANUFACTURING FEATURES:

- Long case axial fan with reinforced body.
- Modular motor-impeller assembly. Cast aluminium impeller with variable pitch angle. Polyester powder finishing coat.
- Housing with motor access door for easy connection.
- Standard asynchronous squirrel-cage motor with IP-55 protection and Class H insulation certified 300°C/2h. Manufactured with standard voltages: 400V(Y) 50Hz for 1 speed motors and 400V 50Hz for 2 speed motors.

APPLICATIONS:

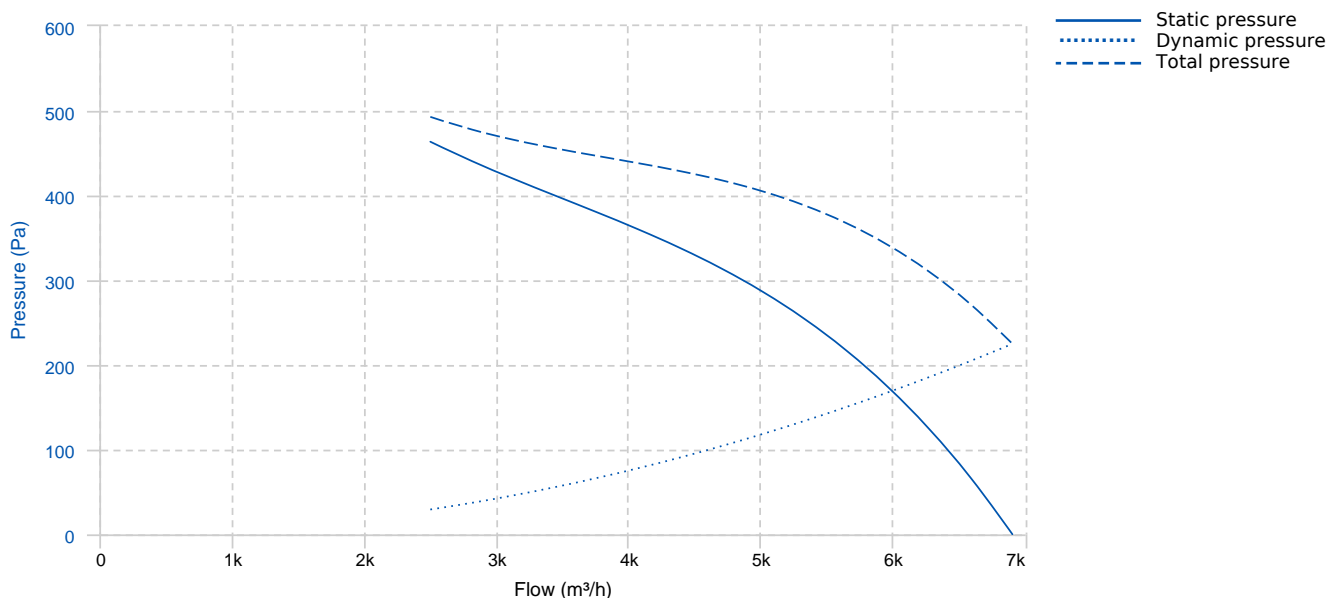
Designed for inline installation, they are suitable for:

- Smoke emergency exhaust with motor inside the hazardous area.
- Maximum working temperature: 60°C.

UNDER REQUEST:

- Supply impeller (air direction from impeller to motor).
- 100% reversible impeller.

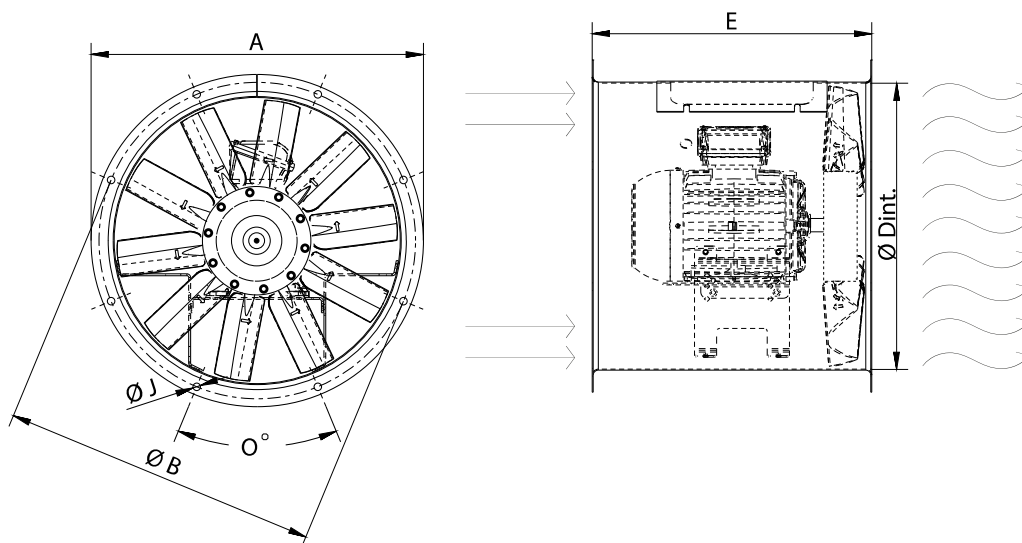
PERFORMANCE CURVE



TECHNICAL DATA

Fan							
RPM	2860	Approx. weight	31 kg	Max. Flow	6910 m³/h		
Motor							
Power	1,1 kW	RPM	2860	I max. (400V)	2,39 A	Size	80
Approx. weight	14 kg	Efficiency (%)	80.5 %	FP	0.85		

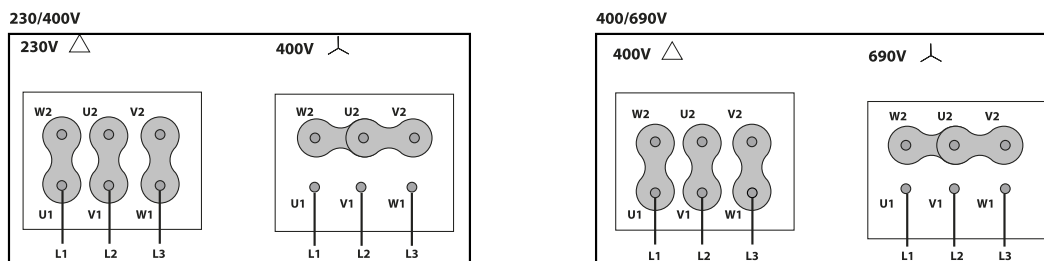
DIMENSIONS



Dimensions (mm)

A	434	E	380	J	10	O	8x45°	ØB	395
ØD	361								

WIRING DIAGRAM



ACCESSORIES



SAFETY SWITCH
INT 25 3P A
REF: INT253PA



PROTECTION GUARD FOR LONG CASE AXIAL FANS
RP 35
REF: 960300100



**CASE FANS MOUNTING SUPPORT
PO 35**
REF: 960001653



**CONNECTION FLANGE
AC 350**
REF: 960003211



**CIRCULAR SILENCER
SIL-C 355/355**
REF: 960355355



**CIRCULAR SILENCER
SIL-C 355/532**
REF: 960355532



**CIRCULAR SILENCER
SIL-C 355/710**
REF: 960355071



**CIRCULAR SILENCER
SIL-CN 355/355**
REF: 961355355



**CIRCULAR SILENCER
SIL-CN 355/532**
REF: 961355532



**CIRCULAR SILENCER
SIL-CN 355/710**
REF: 961355071



**SAFETY SWITCH FOR 400°C/2h
INT 400 25A 3P**
REF: 508902501



**CIRCULAR-CIRCULAR ANTI-VIBRATION FLANGE
BAD 10 (Ø350)**
REF: 960003460



**CEILING ANTI-VIBRATION SPRING BLOCK
AVT (GENERIC)**