

MA 26 M2 0,37kW (253300104)

GENERAL DATA



FORWARD ALLUMINIUM IMPELLER FAN, ALLUMINIUM CAST CASING

MANUFACTURING FEATURES:

- Cast aluminium housing.
- Cast aluminium impeller.
- Polyester powder finishing coat.
- Standard asynchronous squirrel-cage motor with IP-55 protection and Class F insulation. Manufactured with standard voltages: 230V 50Hz in single phase motors and 230/400V 50Hz in three phase motors.

- Available positions (to be indicated in case of order): LG270, LG0, LG45, LG90, LG135, LG180, LG315.
- The indicated codes correspond to the model in position LG270

APPLICATIONS:

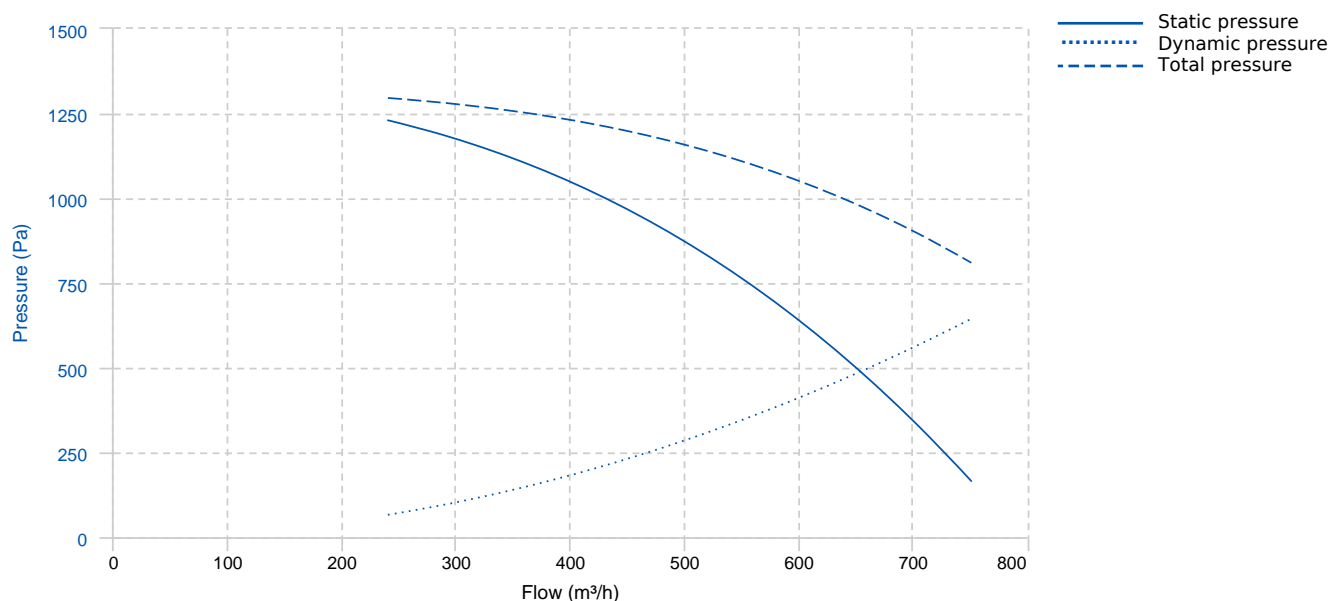
Designed for inline installation, they are suitable for:

- Industrial applications, extraction or injection of air.
- Cooling of machines and parts.
- Clean and slightly dusty air transport.
- Maximum working temperature: carried air: 130°C, environment: 60°C for three phase motors and 50°C for single phase motors.

UNDER REQUEST:

- Special voltages.

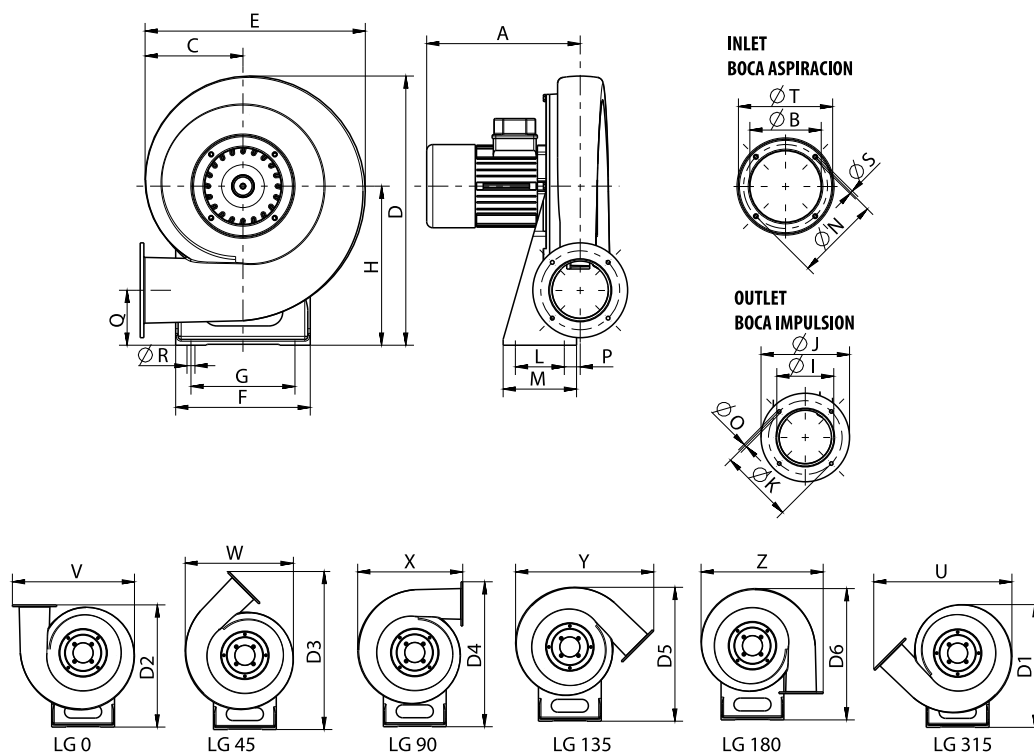
PERFORMANCE CURVE



TECHNICAL DATA

Fan							
RPM	2760	Approx. weight	13 kg	Max. Flow	760 m ³ /h		
Motor							
Power	0,37 kW	RPM	2760	Capacitor	12μF 450V	I max. (230V)	2,47 A
Size	71	Approx. weight	5.7 kg	Efficiency (%)	69,5 %	FP	0,98

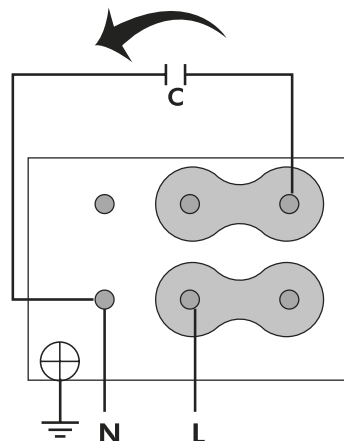
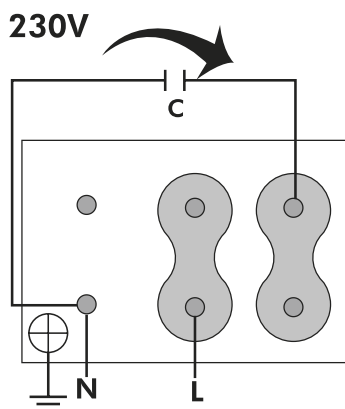
DIMENSIONS



Dimensions (mm)

A	240	BØ	110	C	162	D	413	D1	405
D2	402	D3	519	D4	473	D5	440	D6	431
E	353	F	210	G	160	H	240	I	90
J	140	K	119	L	65	M	105	NØ	132
OØ	6,2	P	18,5	Q	77	RØ	13	SØ	M6
TØ	152	U	460	V	406	W	363	X	353
Y	460	Z	406						

WIRING DIAGRAM



ACCESSORIES



SAFETY SWITCH
INT 25 3P A
REF: INT253PA



ANTI-VIBRATING FLANGE 400^º/2H
BA-400 10/12
REF: 960002068



CONNECTION FLANGE
AC 100
REF: 960003202



ANTI-VIBRATION RUBBER BLOCK
AVR (GENERIC)



ACOUSTIC CABINS FOR CENTRIFUGAL FANS
AB (GENERIC)



INLET PROTECTION GUARD FOR CENTRIFUGAL FANS
RA 12/5
REF: A-253061901



ANTI-VIBRATION JOINT
JE 45
REF: 300719201

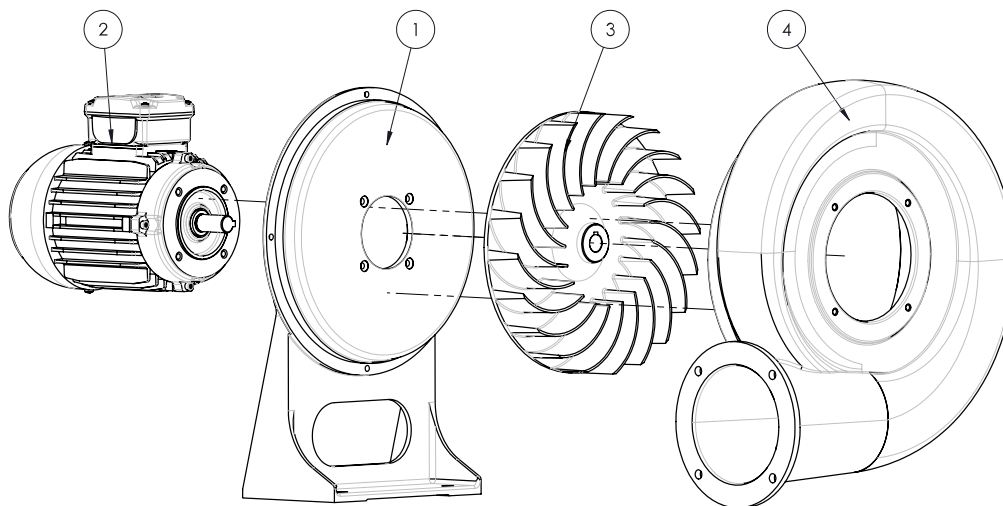


OUTLET PROTECTION GUARD
RBS 26
REF: A-960000379



ANTI-VIBRATION SPRING BLOCK
AVS (GENERIC)

SPARE PARTS



	Code	Model	Qty
1	R-153301751	BASE SUPPORT MOTOR MA26	x1
2	720301036	MOTOR 0,37kW M2 B14 230V	x1
3	R-153303651	TURBINE MA26 LG	x1
4	R-153301771	CASING MA26	x1