

## MA 26 T2 0,37kW (253300106)

### GENERAL DATA



#### FORWARD ALLUMINIUM IMPELLER FAN, ALLUMINIUM CAST CASING

##### MANUFACTURING FEATURES:

- Cast aluminium housing.
- Cast aluminium impeller.
- Polyester powder finishing coat.
- Standard asynchronous squirrel-cage motor with IP-55 protection and Class F insulation. Manufactured with standard voltages: 230V 50Hz in single phase motors and 230/400V 50Hz in three phase motors.

- Available positions (to be indicated in case of order): LG270, LG0, LG45, LG90, LG135, LG180, LG315.
- The indicated codes correspond to the model in position LG270

##### APPLICATIONS:

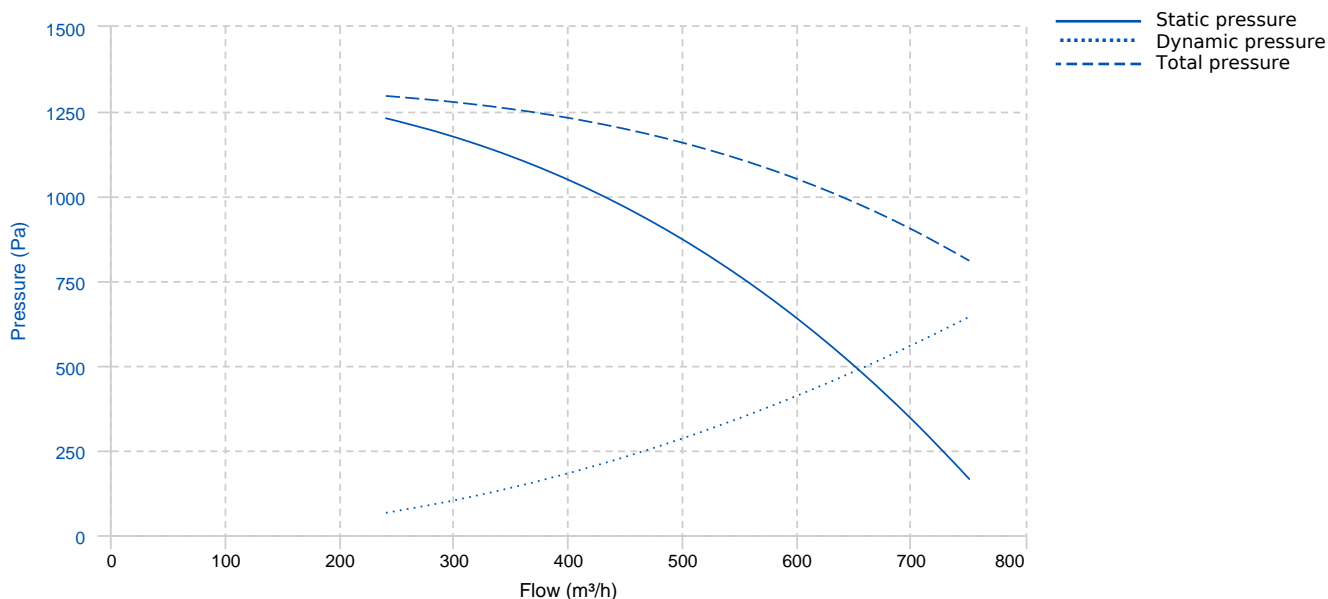
Designed for inline installation, they are suitable for:

- Industrial applications, extraction or injection of air.
- Cooling of machines and parts.
- Clean and slightly dusty air transport.
- Maximum working temperature: carried air: 130°C, environment: 60°C for three phase motors and 50°C for single phase motors.

##### UNDER REQUEST:

- Special voltages.

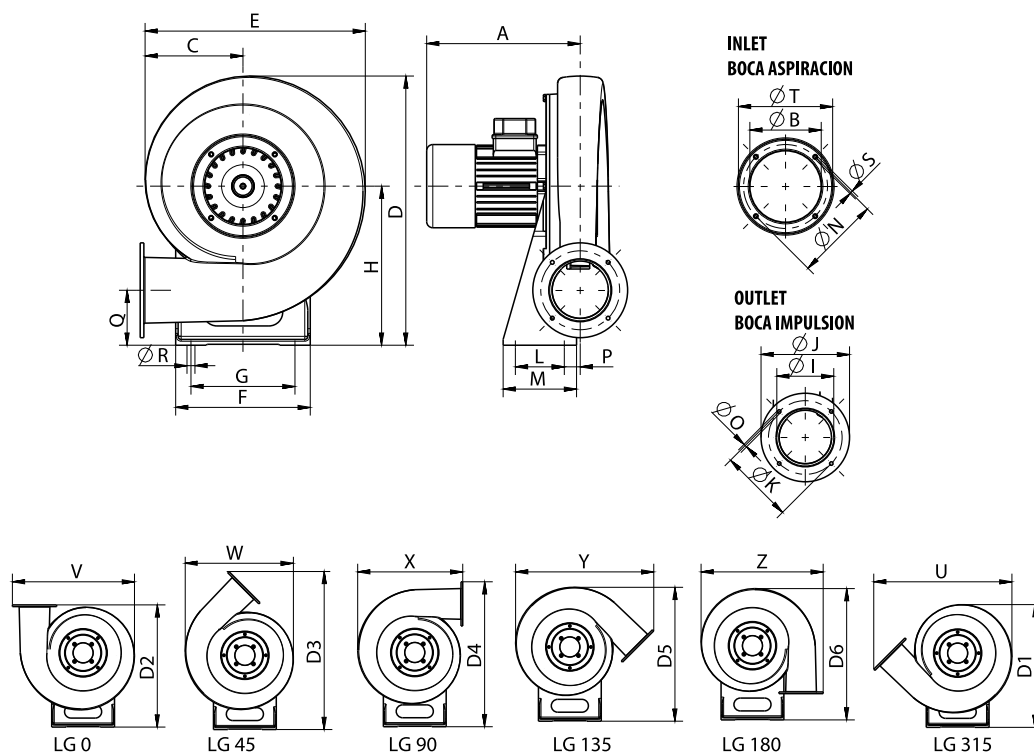
### PERFORMANCE CURVE



## TECHNICAL DATA

Fan							
RPM	2800	Approx. weight	13 kg	Max. Flow	760 m <sup>3</sup> /h		
Motor							
Power	0,37 kW	RPM	2800	I max. (230V)	1,58 A	I max. (400V)	0,91 A
Size	71	Approx. weight	5.7 kg				

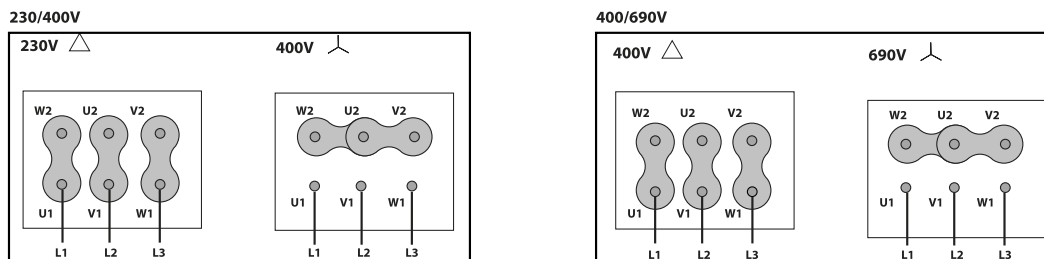
## DIMENSIONS



### Dimensions (mm)

A	240	BØ	110	C	162	D	413	D1	405
D2	402	D3	519	D4	473	D5	440	D6	431
E	353	F	210	G	160	H	240	I	90
J	140	K	119	L	65	M	105	NØ	132
OØ	6,2	P	18,5	Q	77	RØ	13	SØ	M6
TØ	152	U	460	V	406	W	363	X	353
Y	460	Z	406						

## WIRING DIAGRAM



## ACCESSORIES



**SAFETY SWITCH**  
INT 25 3P A  
REF: INT253PA



**INLET PROTECTION GUARD FOR CENTRIFUGAL FANS**  
RA 12/5  
REF: A-253061901



**ANTI-VIBRATING FLANGE 400°/2H**  
BA-400 10/12  
REF: 960002068



**ANTI-VIBRATION JOINT**  
JE 45  
REF: 300719201



**CONNECTION FLANGE**  
AC 100  
REF: 960003202



**OUTLET PROTECTION GUARD**  
RBS 26  
REF: A-960000379



**FREQUENCY SPEED CONTROLLER**  
SFC 230 I 2,5A \*  
REF: SFC230I003



**FREQUENCY SPEED CONTROLLER**  
SFC 400 III 1,2A \*  
REF: SFC400III1



**ANTI-VIBRATION RUBBER BLOCK**  
AVR (GENERIC)

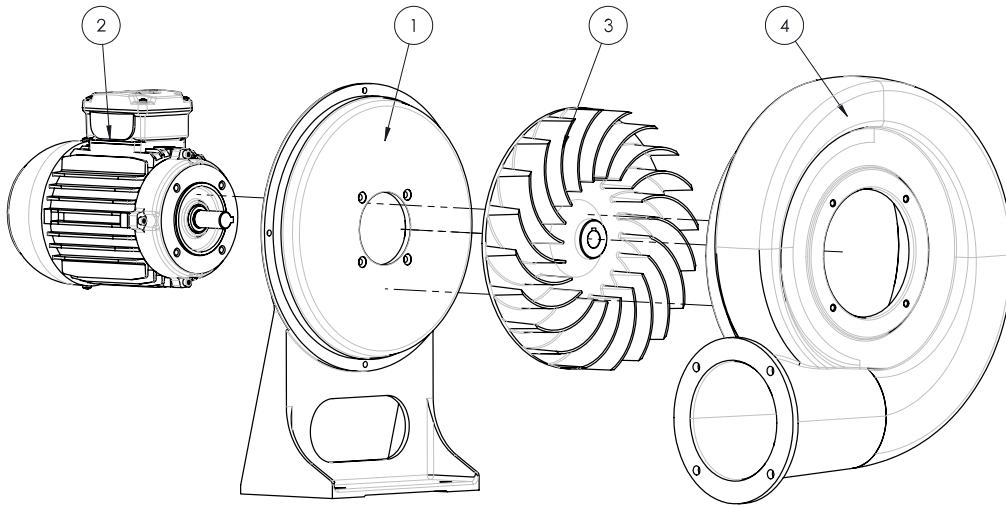


**ANTI-VIBRATION SPRING BLOCK**  
AVS (GENERIC)



**ACOUSTIC CABINS FOR CENTRIFUGAL FANS**  
AB (GENERIC)

**SPARE PARTS**



	Code	Model	Qty
1	R-153301751	BASE SUPPORT MOTOR MA26	x1
2	721001024	MOTOR 0,37kW T2 B14 230/400V	x1
3	R-153303651	TURBINE MA26 LG	x1
4	R-153301771	CASING MA26	x1