

## MA 28 T2 1,1kW (253390106)

### GENERAL DATA



#### FORWARD ALLUMINIUM IMPELLER FAN, ALLUMINIUM CAST CASING

##### MANUFACTURING FEATURES:

- Cast aluminium housing.
- Cast aluminium impeller.
- Polyester powder finishing coat.
- Standard asynchronous squirrel-cage motor with IP-55 protection and Class F insulation. Manufactured with standard voltages: 230V 50Hz in single phase motors and 230/400V 50Hz in three phase motors.

- Available positions (to be indicated in case of order): LG270, LG0, LG45, LG90, LG135, LG180, LG315.
- The indicated codes correspond to the model in position LG270

##### APPLICATIONS:

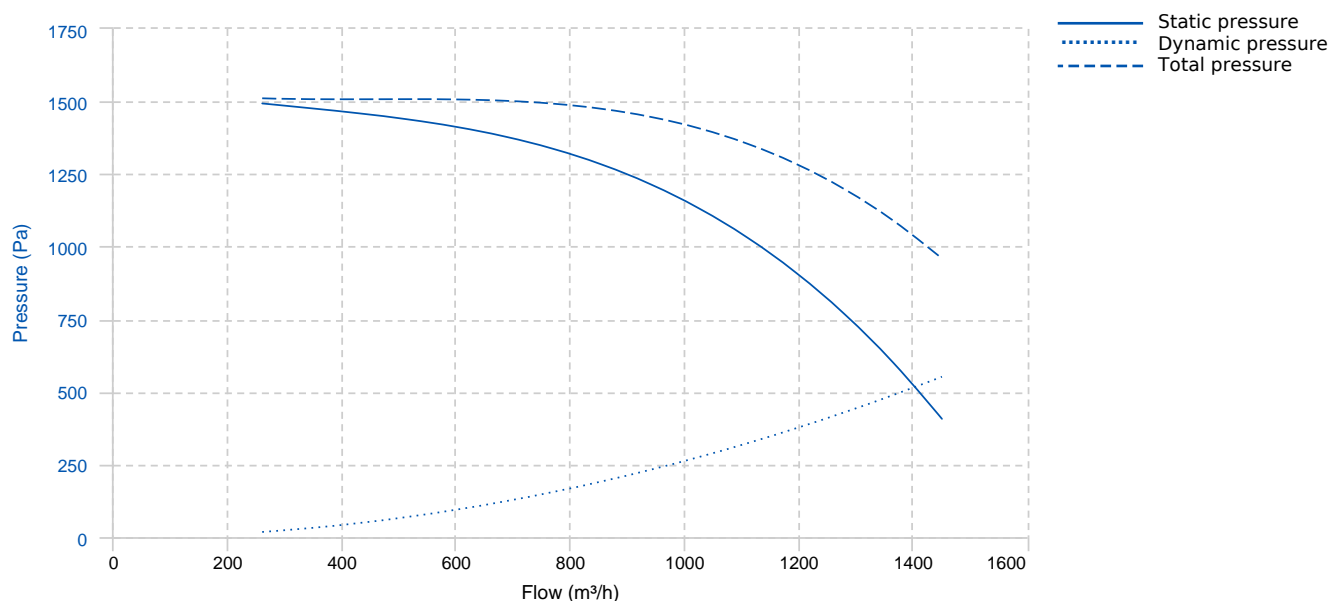
Designed for inline installation, they are suitable for:

- Industrial applications, extraction or injection of air.
- Cooling of machines and parts.
- Clean and slightly dusty air transport.
- Maximum working temperature: carried air: 130°C, environment: 60°C for three phase motors and 50°C for single phase motors.

##### UNDER REQUEST:

- Special voltages.

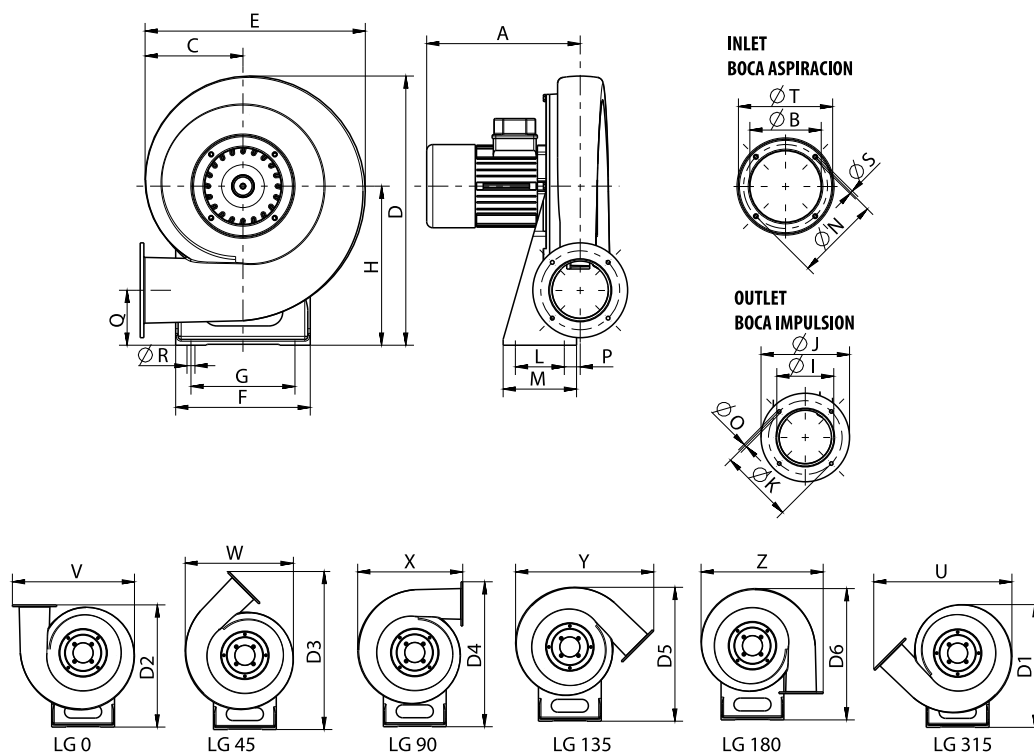
### PERFORMANCE CURVE



## TECHNICAL DATA

Fan							
RPM	2800	Approx. weight	20 kg	Max. Flow	1460 m <sup>3</sup> /h		
Motor							
Power	1,1 kW	RPM	2800	I max. (230V)	4,05 A	I max. (400V)	2,33 A
Size	80	Approx. weight	16 kg	Efficiency (%)	82.7 %	FP	0.85

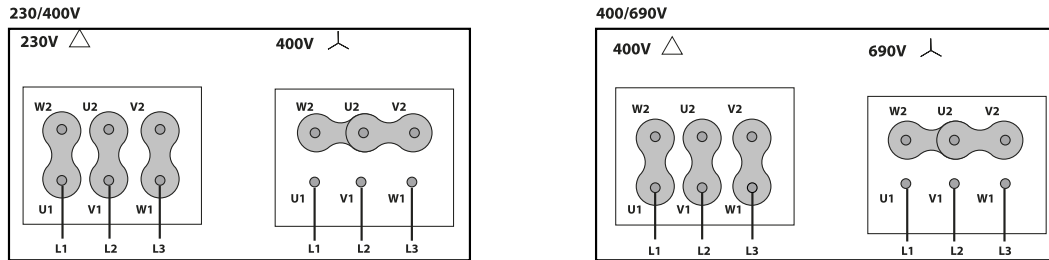
## DIMENSIONS



### Dimensions (mm)

A	275	BØ	125	C	168	D	440	D1	470
D2	468	D3	605	D4	558	D5	516	D6	505
E	393	F	230	G	166	H	290	I	130
J	182	K	160	L	100	M	140	NØ	162
OØ	10,2	P	20	Q	113	RØ	13	SØ	M6
TØ	187	U	518	V	460	W	406	X	393
Y	518	Z	460						

## WIRING DIAGRAM



## ACCESSORIES



**SAFETY SWITCH**  
INT 25 3P A  
REF: INT253PA



**INLET PROTECTION GUARD FOR CENTRIFUGAL FANS**  
RA 14/5  
REF: A-253101901



**ANTI-VIBRATING FLANGE 400°/2H**  
BA-400 15/16  
REF: 960002067



**ANTI-VIBRATION JOINT**  
JE 45  
REF: 300719201



**CONNECTION FLANGE**  
AC 130  
REF: 960003203



**OUTLET PROTECTION GUARD**  
RBS 28  
REF: A-960000382



**FREQUENCY SPEED CONTROLLER**  
SFC 230 I 4,2A \*  
REF: SFC230I004



**FREQUENCY SPEED CONTROLLER**  
SFC 400 III 3,6A \*  
REF: SFC400III4



**ANTI-VIBRATION RUBBER BLOCK**  
AVR (GENERIC)

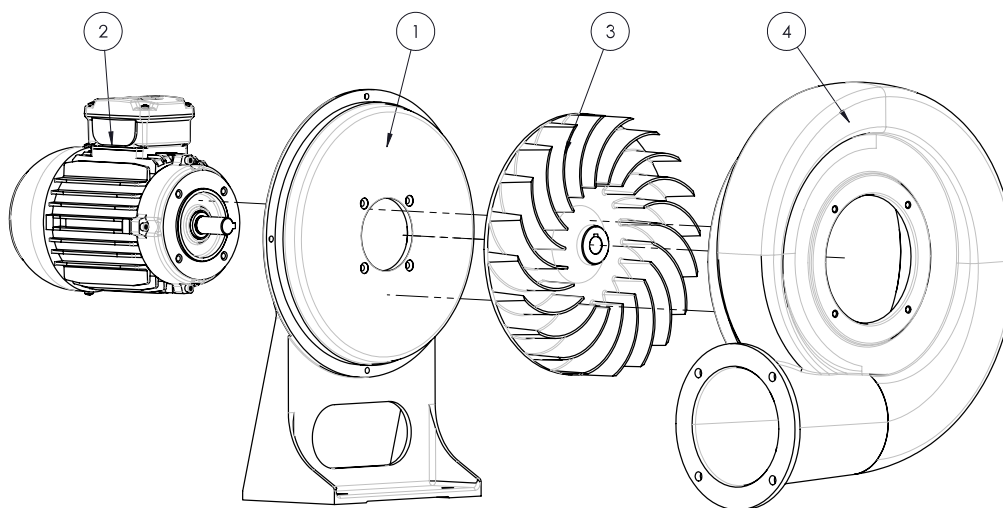


**ANTI-VIBRATION SPRING BLOCK**  
AVS (GENERIC)



**ACOUSTIC CABINS FOR CENTRIFUGAL FANS**  
AB (GENERIC)

**SPARE PARTS**



	Code	Model	Qty
1	R-153501751	BASE SUPPORT MOTOR MA28	x1
2	721001042	MOTOR 1,1kW T2 B14 230/400V	x1
3	R-153503651	TURBINE MA28 LG	x1
4	R-153501771	CASING MA28	x1