

## MB 12/5 M4 0,08kW (253080103)

### GENERAL DATA



#### MEDIUM PRESSURE CENTRIFUGAL FAN WITH FORWARD IMPELLER

##### MANUFACTURING FEATURES:

- Rolling steel sheet housing.
  - Completely joined or welded housing.
  - Galvanised steel sheet simple inlet forward curved impeller.
  - Polyester powder finishing coat.
  - Standard asynchronous squirrel-cage motor with IP-55 protection and Class F insulation.
- Manufactured with standard voltages: 230V 50Hz in single phase motors and 230/400V 50Hz in three phase motors.

- Available positions (to be indicated in case of order): LG270, LG0, LG45, LG90, LG135, LG180, LG225, LG315, RD0, RD45, RD90, RD135, RD180, RD225, RD270, RD315.
- The indicated codes correspond to the model in position LG270

##### APPLICATIONS:

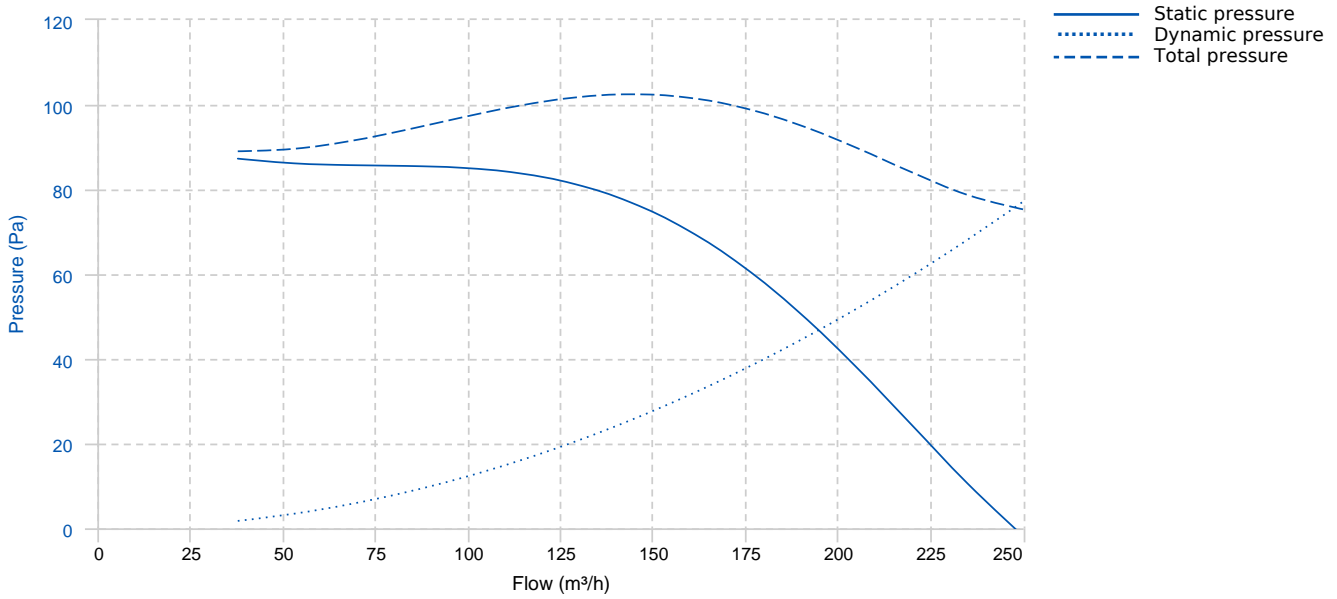
Designed for inline installation, they are suitable for:

- Industrial applications, extraction or injection of air.
- Cooling of machines and parts.
- Suitable for transporting totally clean air without dust.
- Maximum working temperature: carried air: 130°C, environment single phase 50°C, three phase 60°C.

##### UNDER REQUEST:

- Special voltages.
- 2 speed motors (three phase motors).
- Fan for air working temperatures up to 250°C.
- Fans provided with cooling disk for high temperature.
- Option with support for models where it is not included, and without support for models where it is included.

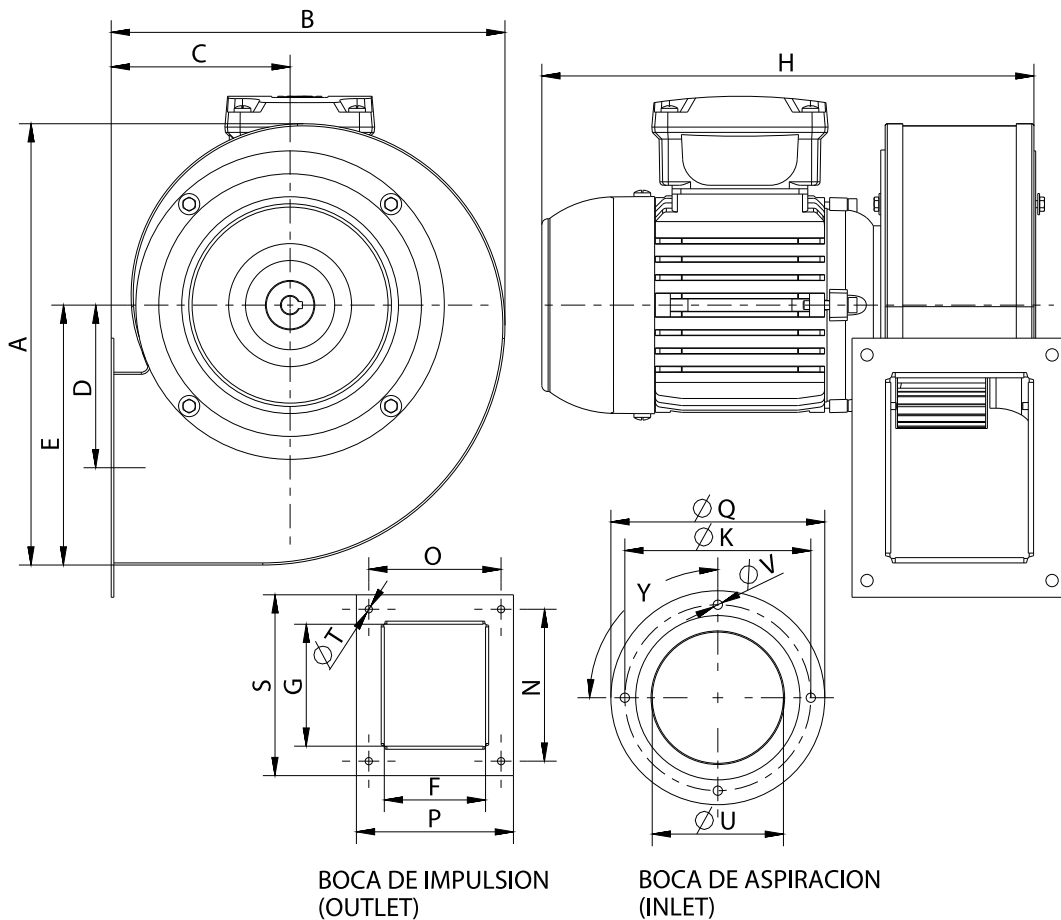
**PERFORMANCE CURVE**



**TECHNICAL DATA**

Fan					
RPM	1370	Approx. weight	5 kg	Max. Flow	250 m³/h
Motor					
Power	0,08 kW	RPM	1370	I max. (230V)	0,9 A

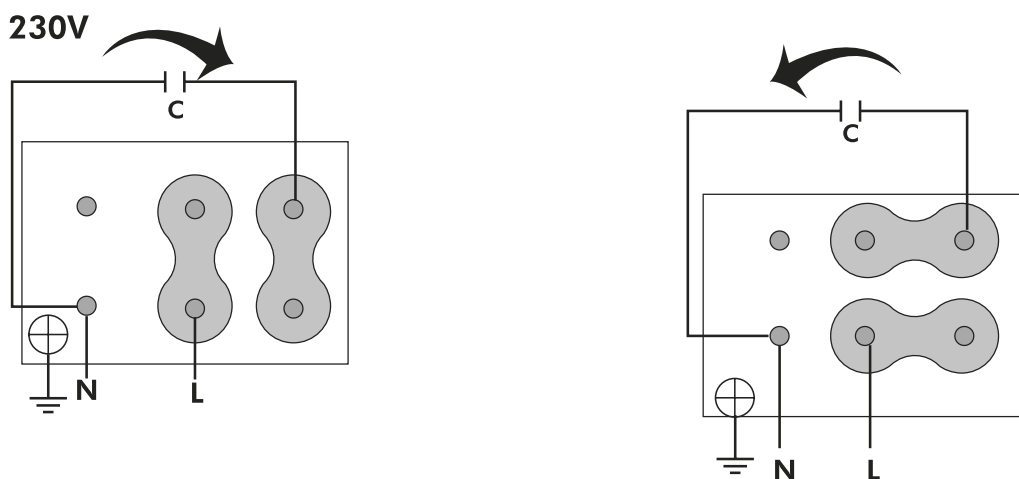
**DIMENSIONS**



### Dimensions (mm)

A	205,5	B	187	C	87	D	71,5	E	117
F	72	G	81,7	H	251	K	135	N	105
O	93	P	106	Q	150	S	118	TØ	7
UØ	92,5	VØ	7	Y	4x90°				

### WIRING DIAGRAM



## ACCESSORIES



**SAFETY SWITCH**  
**INT 25 3P A**  
REF: INT253PA



**INLET PROTECTION GUARD FOR CENTRIFUGAL FANS**  
**RA 12/5**  
REF: A-253061901



**CIRCULAR OUTLET CONNECTION FLANGE**  
**EI 12/5**  
REF: 962120111



**ANTI-VIBRATING FLANGE 400<sup>ø</sup>/2H**  
**BA-400 10/12**  
REF: 960002068



**ANTI-VIBRATION JOINT**  
**JE 45**  
REF: 300719201



**CONNECTION FLANGE**  
**AC 100**  
REF: 960003202

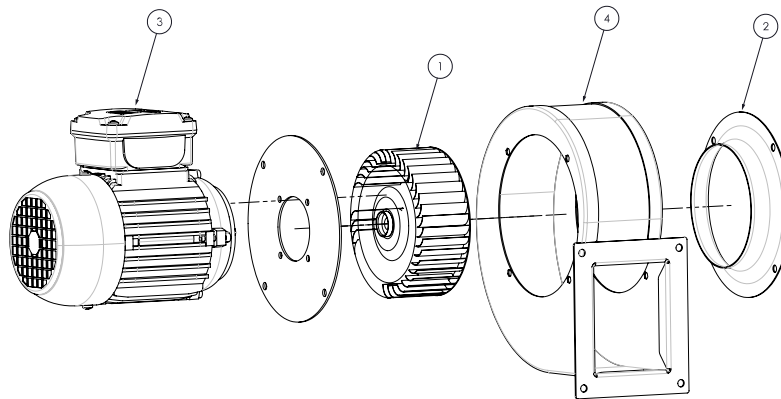


**OUTLET PROTECTION GUARD**  
**RBS 12/5**  
REF: A-960000352



**ACOUSTIC CABINS FOR CENTRIFUGAL FANS**  
**AB (GENERIC)**

## SPARE PARTS



	Code	Model	Qty
1	R-253069382	TURBINE GALV.120X52X9 LG	x1
2	R-253061681	INLET CONE MB12/5	x1
3	720301100	MOTOR 0,04kW M4 B14 230V	x1
4	R-253069421	CASING MB 12/5	x1