

MB 14/5 T2 0,25kW (253100106)

GENERAL DATA



MEDIUM PRESSURE CENTRIFUGAL FAN WITH FORWARD IMPELLER

MANUFACTURING FEATURES:

- Rolling steel sheet housing.
 - Completely joined or welded housing.
 - Galvanised steel sheet simple inlet forward curved impeller.
 - Polyester powder finishing coat.
 - Standard asynchronous squirrel-cage motor with IP-55 protection and Class F insulation.
- Manufactured with standard voltages: 230V 50Hz in single phase motors and 230/400V 50Hz in three phase motors.

- Available positions (to be indicated in case of order): LG270, LG0, LG45, LG90, LG135, LG180, LG225, LG315, RD0, RD45, RD90, RD135, RD180, RD225, RD270, RD315.
- The indicated codes correspond to the model in position LG270

APPLICATIONS:

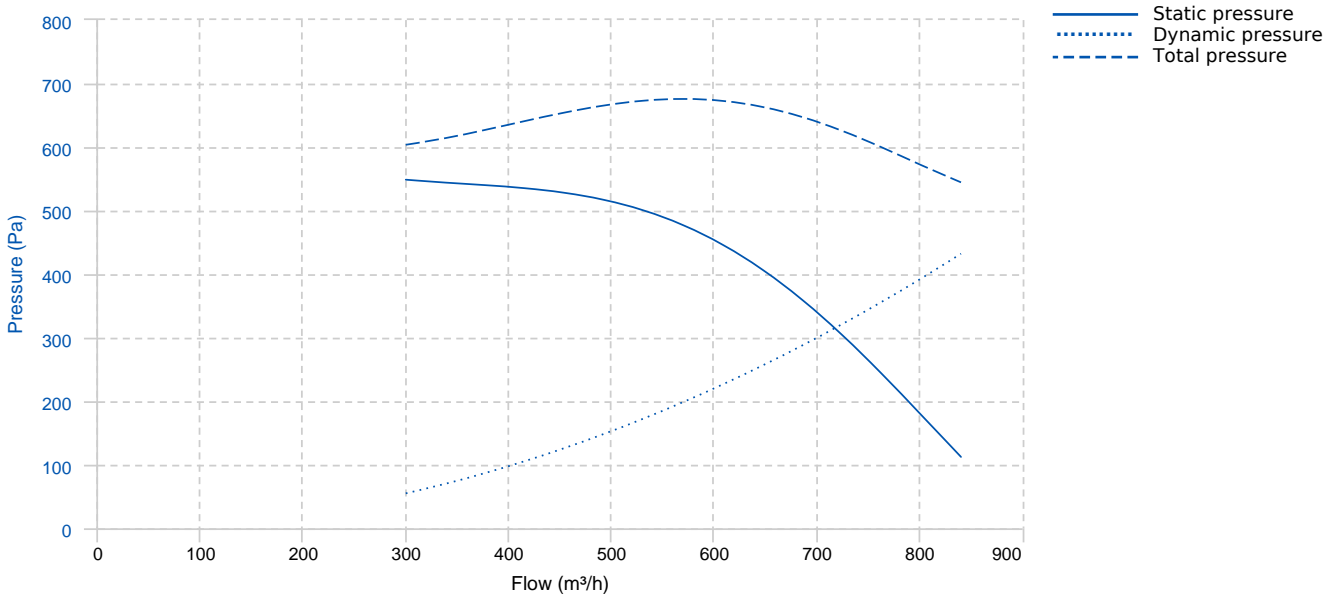
Designed for inline installation, they are suitable for:

- Industrial applications, extraction or injection of air.
- Cooling of machines and parts.
- Suitable for transporting totally clean air without dust.
- Maximum working temperature: carried air: 130°C, environment single phase 50°C, three phase 60°C.

UNDER REQUEST:

- Special voltages.
- 2 speed motors (three phase motors).
- Fan for air working temperatures up to 250°C.
- Fans provided with cooling disk for high temperature.
- Option with support for models where it is not included, and without support for models where it is included.

PERFORMANCE CURVE

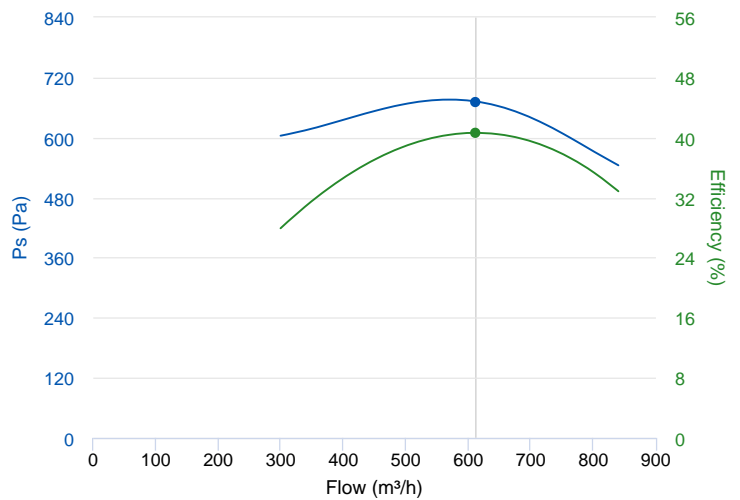


TECHNICAL DATA

Fan							
RPM	2800	Approx. weight	7 kg	Max. Flow	840 m³/h		
Motor							
Power	0,25 kW	RPM	2800	I max. (230V)	1,12 A	I max. (400V)	0,65 A
Size	63	Approx. weight	4.5 kg				

ERP DATA

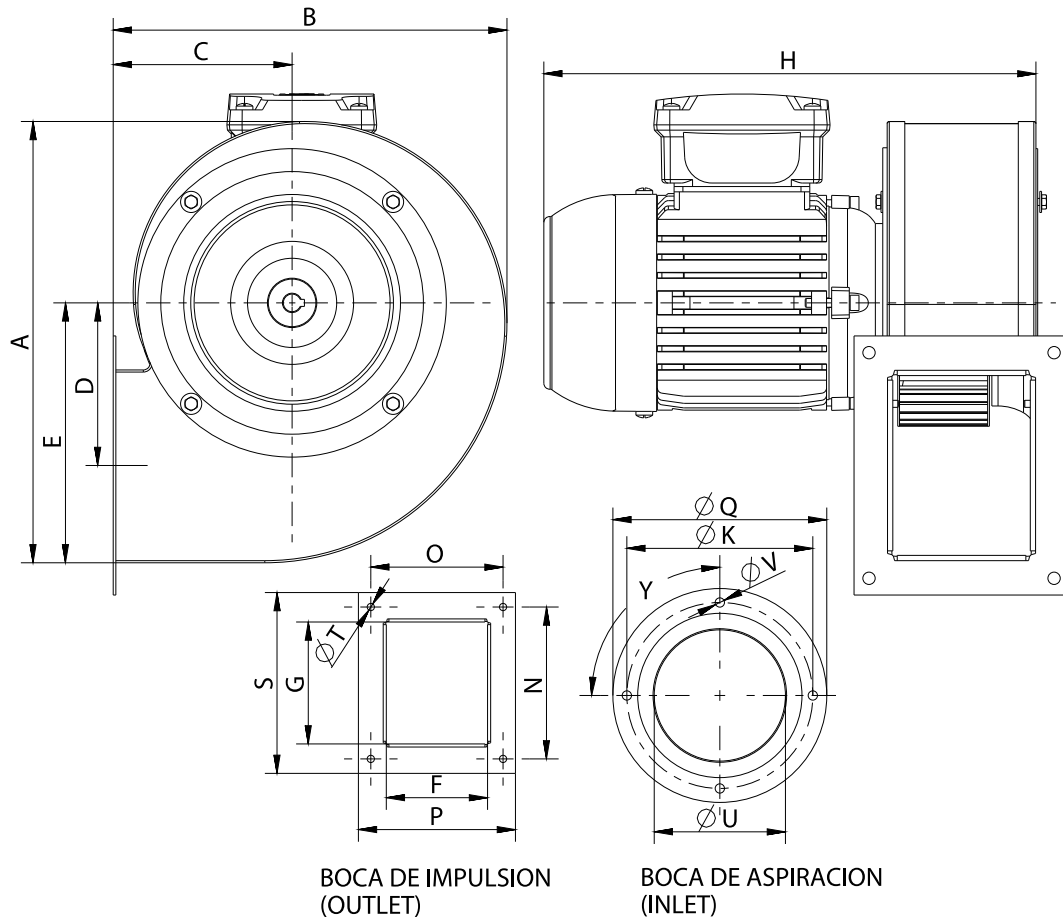
Fan data sheet		
Fan type	Centrifugal fan radial or forward blades	
Installation category	B: Inlet free, Ducted outlet	
Efficiency category	Total	
The fan has to be installed with VF	No	
Motor power (kW)	0.25	
	Fan values	ERP Requirements 2015
Max. efficiency (%)	40.62	39.18
Efficiency grade (N)	50.44	49
Pabs (kW)	0.279	
Flow (m³/h)	612.14	
Total pressure (Pa)	672.24	
Speed (m/s)	2800	



Fan values	ERP Requirements 2015
------------	-----------------------

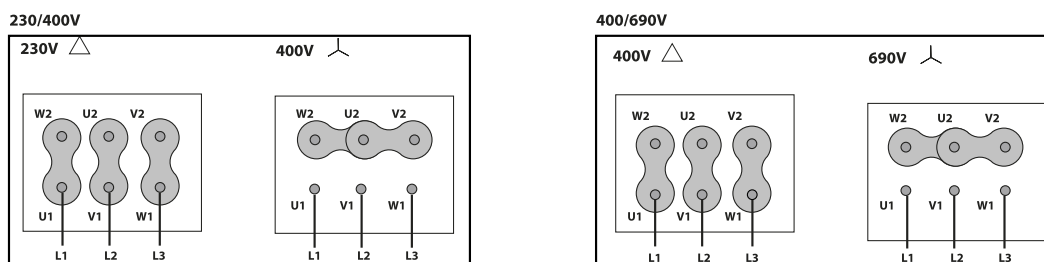
Specific ratio	1.00
----------------	------

DIMENSIONS



Dimensions (mm)									
A	250,5	B	223	C	102	D	93	E	147,5
F	78	G	102	H	278	K	162	N	128
O	105	P	122	Q	175	S	147	TØ	7
UØ	115	VØ	7	Y	4x90°				

WIRING DIAGRAM



ACCESSORIES



SAFETY SWITCH
INT 25 3P A
REF: INT253PA



CIRCULAR OUTLET CONNECTION FLANGE
EI 14/5
REF: 962140111



ANTI-VIBRATION JOINT
JE 45
REF: 300719201



OUTLET PROTECTION GUARD
RBS 14/5
REF: A-960000353



FREQUENCY SPEED CONTROLLER
SFC 400 III 1,2A *
REF: SFC400III1



INLET PROTECTION GUARD FOR CENTRIFUGAL FANS
RA 14/5
REF: A-253101901



ANTI-VIBRATING FLANGE 400°/2H
BA-400 15/16
REF: 960002067



CONNECTION FLANGE
AC 130
REF: 960003203

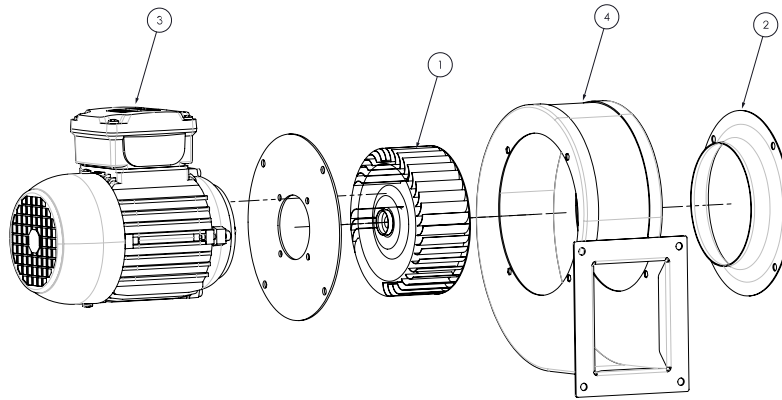


FREQUENCY SPEED CONTROLLER
SFC 230 I 2,5A *
REF: SFC230I003



ACOUSTIC CABINS FOR CENTRIFUGAL FANS
AB (GENERIC)

SPARE PARTS



	Code	Model	Qty
1	R-253109381	TURBINE GALV.146X52X11 LG	x1
2	R-253101681	INLET CONE MB14/5	x1
3	721001018	MOTOR 0,25kW T2 B14 230/400V	x1
4	R-253109421	CASING MB 14/5	x1