

MB 20/8 T2 1,1kW (253190106)

GENERAL DATA



MEDIUM PRESSURE CENTRIFUGAL FAN WITH FORWARD IMPELLER

MANUFACTURING FEATURES:

- Rolling steel sheet housing.
 - Completely joined or welded housing.
 - Galvanised steel sheet simple inlet forward curved impeller.
 - Polyester powder finishing coat.
 - Standard asynchronous squirrel-cage motor with IP-55 protection and Class F insulation.
- Manufactured with standard voltages: 230V 50Hz in single phase motors and 230/400V 50Hz in three phase motors.

- Available positions (to be indicated in case of order): LG270, LG0, LG45, LG90, LG135, LG180, LG225, LG315, RD0, RD45, RD90, RD135, RD180, RD225, RD270, RD315.
- The indicated codes correspond to the model in position LG270

APPLICATIONS:

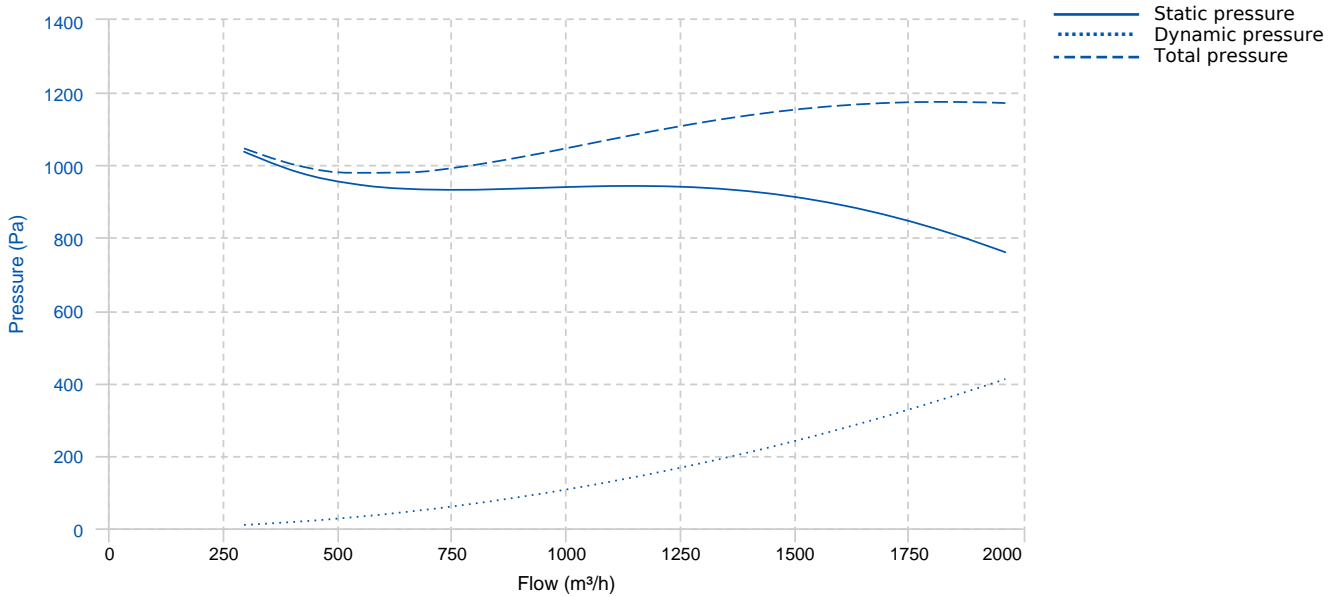
Designed for inline installation, they are suitable for:

- Industrial applications, extraction or injection of air.
- Cooling of machines and parts.
- Suitable for transporting totally clean air without dust.
- Maximum working temperature: carried air: 130°C, environment single phase 50°C, three phase 60°C.

UNDER REQUEST:

- Special voltages.
- 2 speed motors (three phase motors).
- Fan for air working temperatures up to 250°C.
- Fans provided with cooling disk for high temperature.
- Option with support for models where it is not included, and without support for models where it is included.

PERFORMANCE CURVE

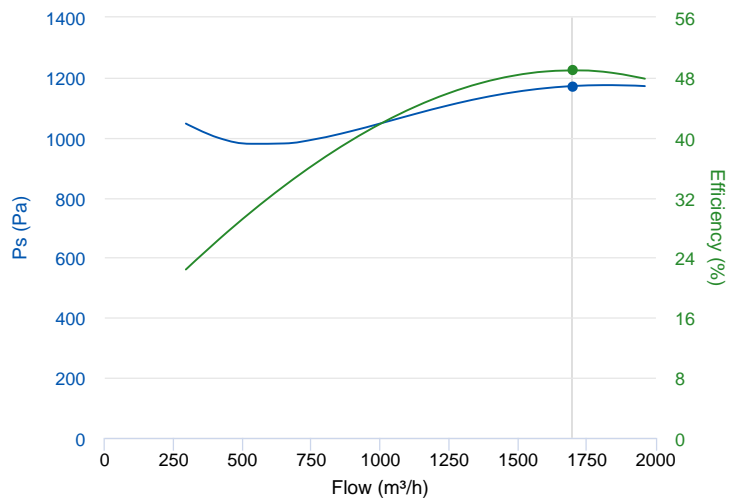


TECHNICAL DATA

Fan							
RPM	2800	Approx. weight	19 kg	Max. Flow	1960 m³/h		
Motor							
Power	1,1 kW	RPM	2800	I max. (230V)	4,05 A	I max. (400V)	2,33 A
Size	80	Approx. weight	16 kg	Efficiency (%)	82.7 %	FP	0.85

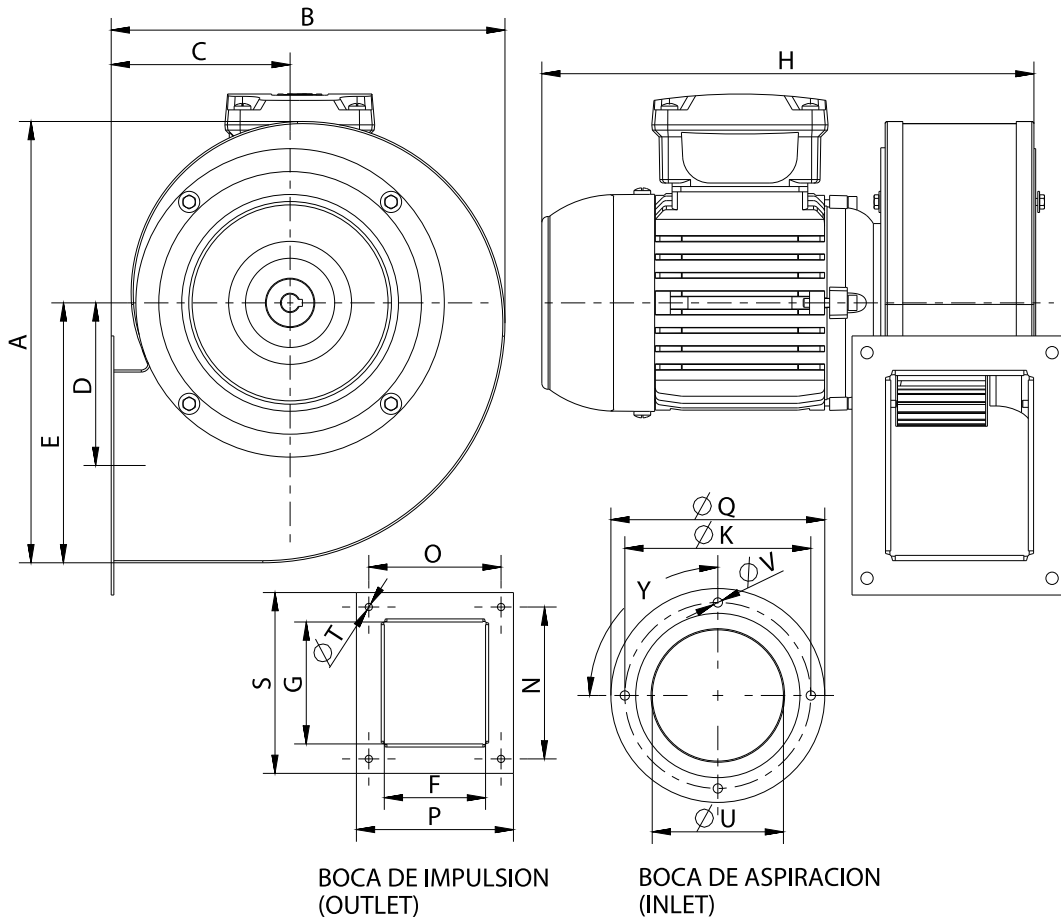
ERP DATA

Fan data sheet		
Fan type	Centrifugal fan radial or forward blades	
Installation category	B: Inlet free, Ducted outlet	
Efficiency category	Total	
The fan has to be installed with VF	No	
Motor power (kW)	1.1	
	Fan values	ERP Requirements 2015
Max. efficiency (%)	48.95	43.01
Efficiency grade (N)	54.94	49
Pabs (kW)	1.131	
Flow (m³/h)	1698.07	
Total pressure (Pa)	1171.9	
Speed (m/s)	2800	



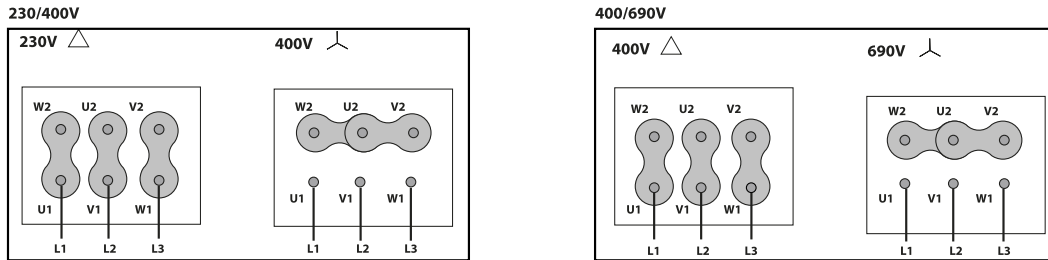
	Fan values	ERP Requirements 2015
Specific ratio	1.00	

DIMENSIONS



Dimensions (mm)									
A	392	B	331	C	140	D	142	E	230
F	130	G	161,5	H	374	K	230	N	189
O	160	P	184	Q	255	S	213	TØ	9
UØ	161	VØ	9	Y	8x45°				

WIRING DIAGRAM



ACCESSORIES



SAFETY SWITCH
INT 25 3P A
REF: INT253PA



INLET PROTECTION GUARD FOR CENTRIFUGAL FANS
RA 20/6
REF: A-253191901



CIRCULAR OUTLET CONNECTION FLANGE
EI 20/8
REF: 962200112



ANTI-VIBRATING FLANGE 400^ø/2H
BA-400 20
REF: 960002066



ANTI-VIBRATION JOINT
JE 45
REF: 300719201



CONNECTION FLANGE
AC 200
REF: 960003206



OUTLET PROTECTION GUARD
RBS 20/8
REF: A-960000356



FREQUENCY SPEED CONTROLLER
SFC 230 I 4,2A *
REF: SFC230I004

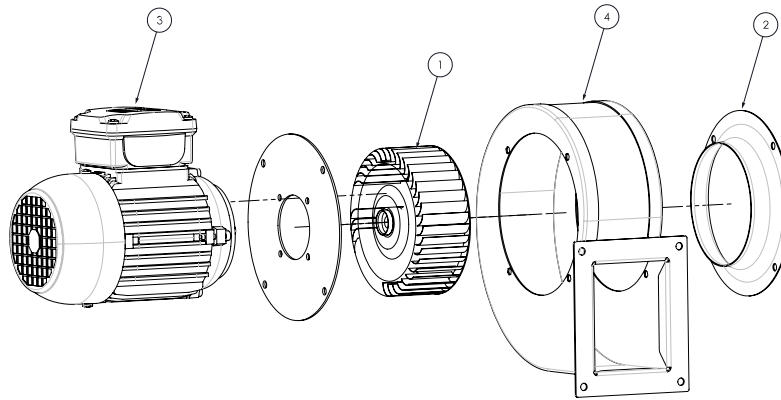


FREQUENCY SPEED CONTROLLER
SFC 400 III 3,6A *
REF: SFC400III4



ACOUSTIC CABINS FOR CENTRIFUGAL FANS
AB (GENERIC)

SPARE PARTS



	Code	Model	Qty
1	R-253199381	TURBINE GALV.200X82X19 LG	x1
2	R-253191681	INLET CONE MB20/6-20/8	x1
3	721001042	MOTOR 1,1kW T2 B14 230/400V	x1
4	R-253199421	CASING MB 20/8	x1