

# NIMUS 501 T6 0,75kW (std) (NS501680)

## GENERAL DATA



### CENTRIFUGAL FAN, FOR CLEAN OR SLIGHTLY DUSTY AIR

#### MANUFACTURING FEATURES

- Medium pressure centrifugal fan with direct coupling.
- Reinforced housing made of carbon laminated steel, protected against corrosion by powder coating polyester resin RAL 5010. Finish C3.
- Casing fully latched and adjustable.
- Self-cleaning turbine and reinforced impeller with high-performance backward (reaction) blades made of carbon laminated steel dynamically balanced to minimize noise and vibrations. Black painted RAL 9005
- Squirrel cage standardized asynchronous IEC motor with IP-55 protection and class F electrical insulation. Standard voltages 230/400V 50Hz for three-phase motors up to 4kW and 400/690V 50Hz for higher powers. IE4 motors for 75kW power or higher.
- Motor with feet (B3) supported on motor support foot.
- Models of size 500 and above are supplied with a front support foot, for the other models the front support foot is optional.
- Maximum working temperature in continuous: air transported: 130°C, Environment: 60°C.
- Available positions (to be indicated in case of order): LG270, LG0, LG45, LG90, LG135, LG180, LG225, LG315, RD0, RD45, RD90, RD135, RD180, RD225, RD270, RD315.
- The indicated codes correspond to the model in position LG270

#### APPLICATIONS

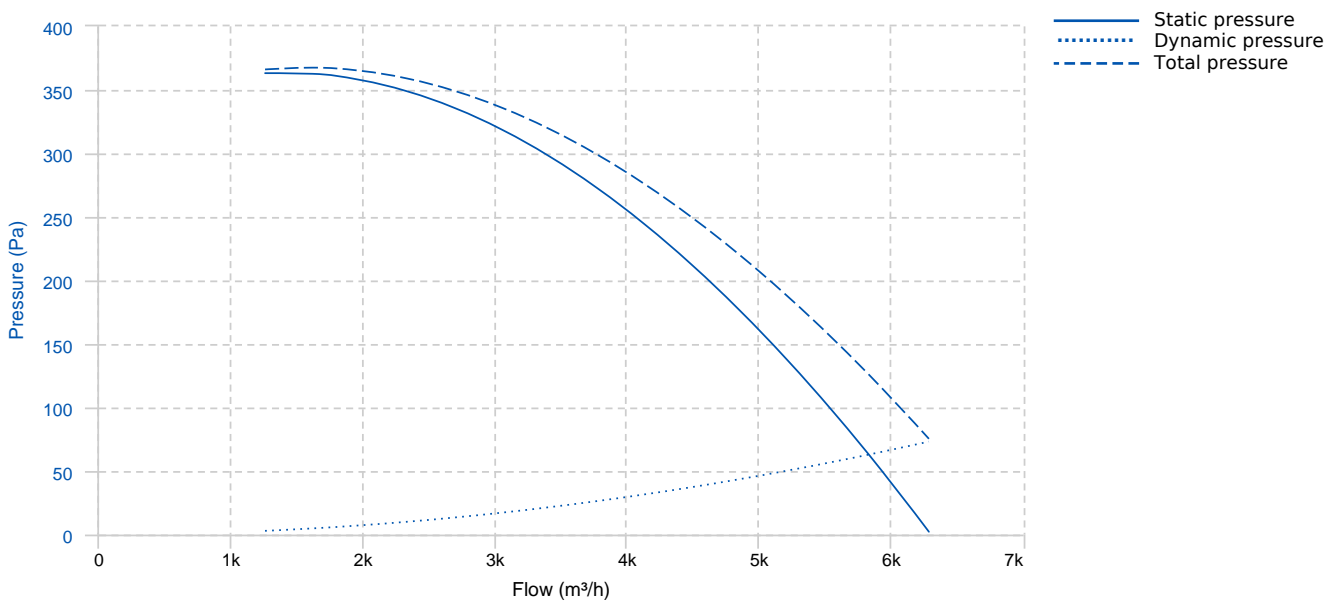
Suitable for moving clean or dusty air. Designed to be installed in conduit for suction or impulsion.

- Paint booths
- Collection of dust
- Food industry dryers
- Food processing
- Incineration
- Odor control in industry
- Indoor / outdoor pollution control
- Big buildings
- Malls
- Factories / Industrial buildings
- Warehouses
- Extraction of smoke
- Boilers and ovens
- Manufacture and treatment of chemical products.
- Tunnels, underground stations.

#### ON DEMAND

- Fans for special voltages.
- 2 speed motor.
- C4 or C5 coating painting
- Hot dip galvanized
- Inox 304 (normal or electropolished finish)
- Inox 316 (normal or electropolished finish)
- Cooling wheel
- Anticaloric paint
- Fully welded housing (waterproof)
- Inspection door to facilitate maintenance and cleaning
- Drain plug.
- Airtight axle
- Non-sparking air passage and standard motor
- Other brands of motors.

## PERFORMANCE CURVE



## TECHNICAL DATA

### Fan

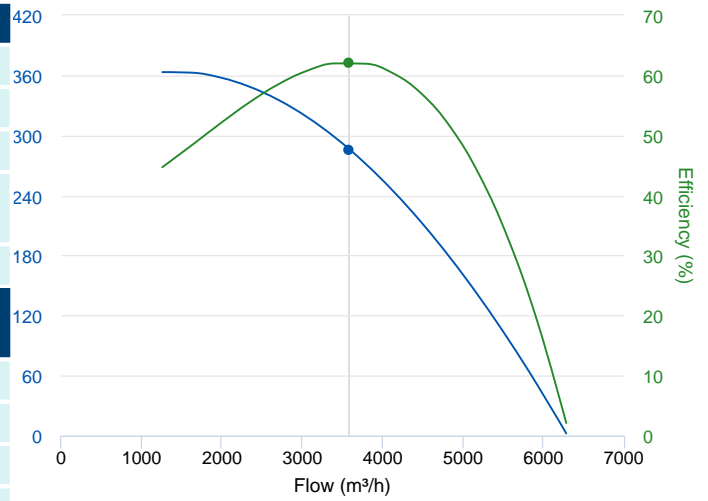
|     |     |                |           |           |           |
|-----|-----|----------------|-----------|-----------|-----------|
| RPM | 925 | Approx. weight | 105.82 kg | Max. Flow | 6290 m³/h |
|-----|-----|----------------|-----------|-----------|-----------|

### Motor

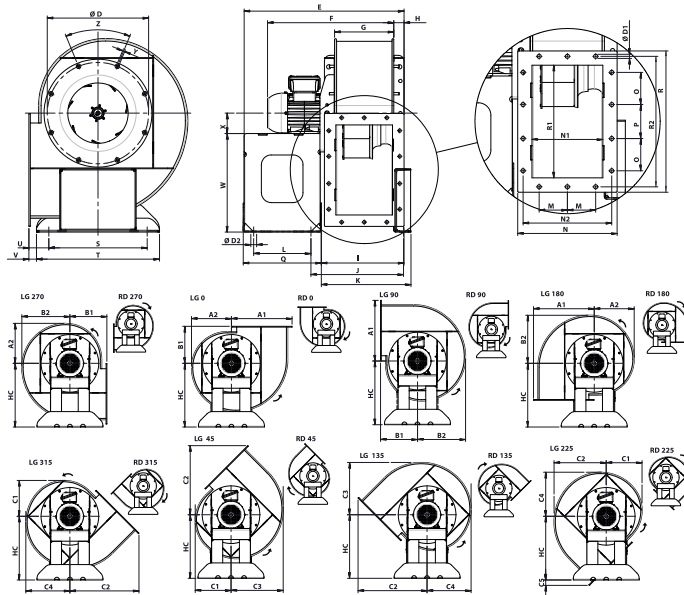
|       |         |                |       |                |        |               |        |
|-------|---------|----------------|-------|----------------|--------|---------------|--------|
| Power | 0,75 kW | RPM            | 925   | I max. (230V)  | 3,39 A | I max. (400V) | 1,95 A |
| Size  | 90L     | Approx. weight | 19 kg | Efficiency (%) | 78.9 % | FP            | 0.73   |

## ERP DATA

| Fan data sheet                      |   |
|-------------------------------------|---|
| Fan type                            | Centrifugal fan backward blades with casing |
| Installation category               | A: Outlet and Inlet free discharge          |
| Efficiency category                 | Static                                      |
| The fan has to be installed with VF | No  |
| Motor power (kW)                    | 0.75  |
|                                     | <b>Fan values</b>                           |
|                                     | <b>ERP Requirements 2015</b>                |
| Max. efficiency (%)                 | 62.14                                       |
| Efficiency grade (N)                | 76.13                                       |
| Pabs (kW)                           | 0.465                                       |
| Flow (m³/h)                         | 3583.34                                     |
| Static pressure (Pa)                | 286.25                                      |
| Speed (m/s)                         | 925   |
| Specific ratio                      | 1.00  |



## DIMENSIONS

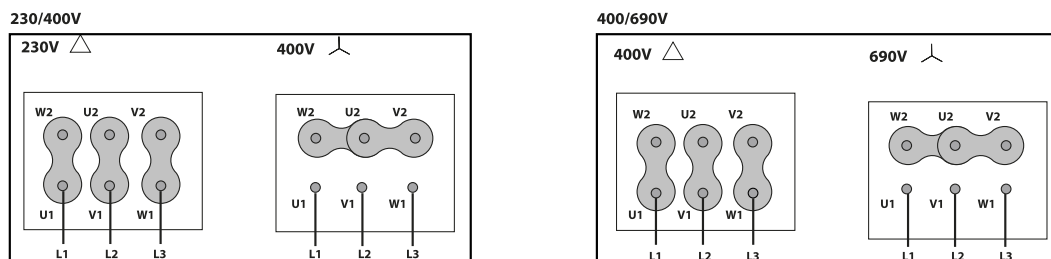


| Dimensions (mm) |        |    |       |    |        |       |        |       |        |
|-----------------|--------|----|-------|----|--------|-------|--------|-------|--------|
| A1              | 606    | A2 | 407.4 | B1 | 356.6  | B2    | 492.2  | C1    | 365    |
| C2              | 680.66 | C3 | 534.6 | C4 | 449.8  | C5    | 50.06  | D     | 535    |
| D1              | 11.5   | D2 | 535   | E  | 714.8  | F (±) | 623,7  | G (±) | 325    |
| H               | 58.5   | HC | 625.6 | I  | 427.16 | J     | 470.55 | K     | 460.26 |
| L               | 185    | M  | 128   | N  | 396    | N1    | 316    | N2    | 366    |
| O               | 147    | P  | 146   | Q  | 264.64 | R     | 580    | R1    | 500    |

## Dimensions (mm)

|    |       |   |     |   |     |   |       |   |      |
|----|-------|---|-----|---|-----|---|-------|---|------|
| R2 | 550   | S | 397 | T | 563 | U | 158.1 | V | 75.1 |
| W  | 535,6 | X | 90  | Y | M8  | Z | 8x45° |   |      |

## WIRING DIAGRAM



## ACCESSORIES



**SAFETY SWITCH**  
INT 25 3P A  
REF: INT253PA



**CONNECTION FLANGE**  
AC 500  
REF: 960003214



**ANTI-VIBRATION JOINT**  
JE 45  
REF: 300719201



**CIRCULAR-CIRCULAR ANTI-VIBRATION FLANGE FOR STORM**  
BADS 500  
REF: BADS-5050



**RECTANGULAR-RECTANGULAR ANTI-VIBRATION FLANGE FOR STORM**  
BIDS 316x500-200  
REF: BIDS-50316



**FREQUENCY SPEED CONTROLLER**  
SFC 400 III 2,2A \*  
REF: SFC400III2



**INLET PROTECTION GUARD FOR CENTRIFUGAL FANS**  
RA 50/16  
REF: A-243501901



**ANTI-VIBRATING FLANGE 400<sup>ø</sup>/2H**  
BA-400 50  
REF: 960002064



**OUTLET FLANGE FOR STORM MODELS**  
EIS 500x316-500  
REF: EIS-5031650



**OUTLET PROTECTION GUARD FOR STORM FANS**  
RIS 500x316  
REF: RIS-50316E2



**FREQUENCY SPEED CONTROLLER**  
SFC 230 I 4,2A \*  
REF: SFC230I004



**ANTI-VIBRATION RUBBER BLOCK**  
AVR (GENERIC)



**ANTI-VIBRATION SPRING BLOCK  
AVS (GENERIC)**



**ACOUSTIC CABINS FOR CENTRIFUGAL FANS  
AB (GENERIC)**



**FRONTAL FEET SUPORT  
CPD-N50  
REF: A-CPD-N50**



**MULTIPOSITION FRONTAL FEET SUPPORT  
CPDMP-N50  
REF: A-CPDMP-N50**

## SPARE PARTS

|   | Code      | Model                       | Qty |
|---|-----------|-----------------------------|-----|
| 1 | R-BAD-N50 | INLET CONE 500              | x1  |
| 2 | 721001250 | MOTOR 0,75kW T6 B3 230/400V | x1  |
| 3 | 721001230 | MOTOR 0,37kW T6 B3 230/400V | x1  |