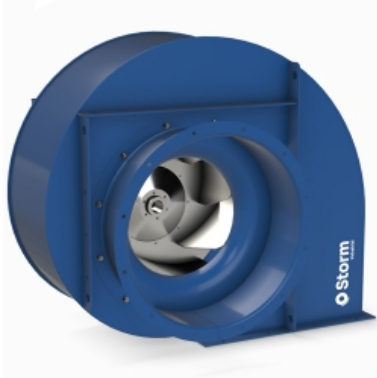


PREXTUR 404 T2 5,5kW (std) (PX4042132)

GENERAL DATA



CENTRIFUGAL MEDIUM PRESSURE FAN FOR PAINT BOOTHS

MANUFACTURING FEATURES:

- Medium pressure centrifugal fan with direct coupling.
 - Reinforced housing made of carbon laminated steel, protected against corrosion by powder coating polyester resin RAL 5010. Finish C3.
 - Casing fully latched and adjustable.
 - Self-cleaning turbine and reinforced impeller with high-performance backward (reaction) blades made of carbon laminated steel dynamically balanced to minimize noise and vibrations. Black painted, RAL 9005
 - Squirrel cage standardized asynchronous IEC motor with IP-55 protection and class F electrical insulation. Standard voltages 230/400V 50Hz for three-phase motors up to 4kW and 400/690V 50Hz for higher powers.
 - Motor with flange (B5), airtight axle
 - Double suction flange
 - Maximum working temperature in continuous: transported air: 130°C, ambient: 60°C.
- Available positions (to be indicated in case of order): LG and RD
• The indicated codes correspond to the model in position LG

APPLICATIONS

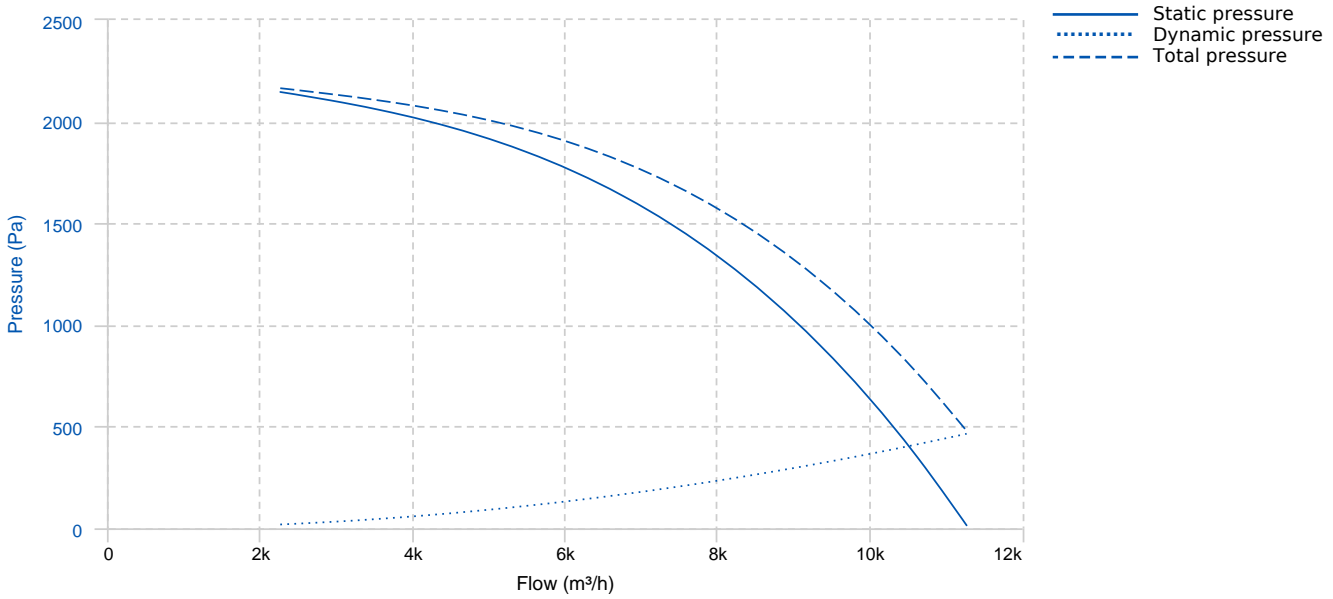
Suitable for moving clean or dusty air. Designed to be fixed in the double suction flange, with the motor in vertical position.

- Paint booths
- Collection of dust
- Food industry dryers
- Food processing
- Incineration
- Odor control in industry
- Indoor / outdoor pollution control
- Big buildings
- Malls
- Factories / Industrial buildings
- Warehouses
- Extraction of smoke
- Boilers and ovens
- Manufacture and treatment of chemical products.
- Tunnels, underground stations.

ON DEMAND

- Fans for special voltages.
- 2 speed motor.
- C4 or C5 coating painting
- Hot dip galvanized
- Inox 304 (normal or electropolished finish)
- Inox 316 (normal or electropolished finish)
- Cooling wheel
- Anticaloric paint
- Fully welded housing (waterproof)
- Inspection door to facilitate maintenance and cleaning
- Drain plug.
- Non-sparking air passage and standard motor
- Other brands of motors.

PERFORMANCE CURVE

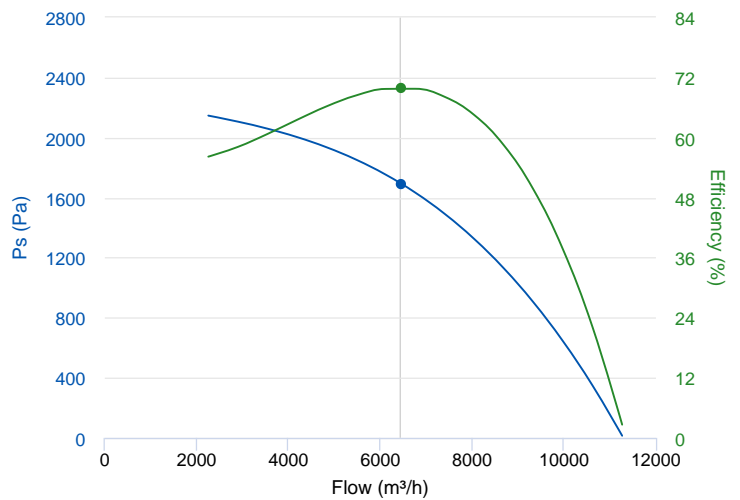


TECHNICAL DATA

Fan							
RPM	2910	Approx. weight	147 kg	Max. Flow	11270 m³/h		
Motor							
Power	5,5 kW	RPM	2910	I max. (400V)	10,6 A	I max. (690V)	6,14 A
Size	132S	Approx. weight	68 kg	Efficiency (%)	89.2 %	FP	0.85

ERP DATA

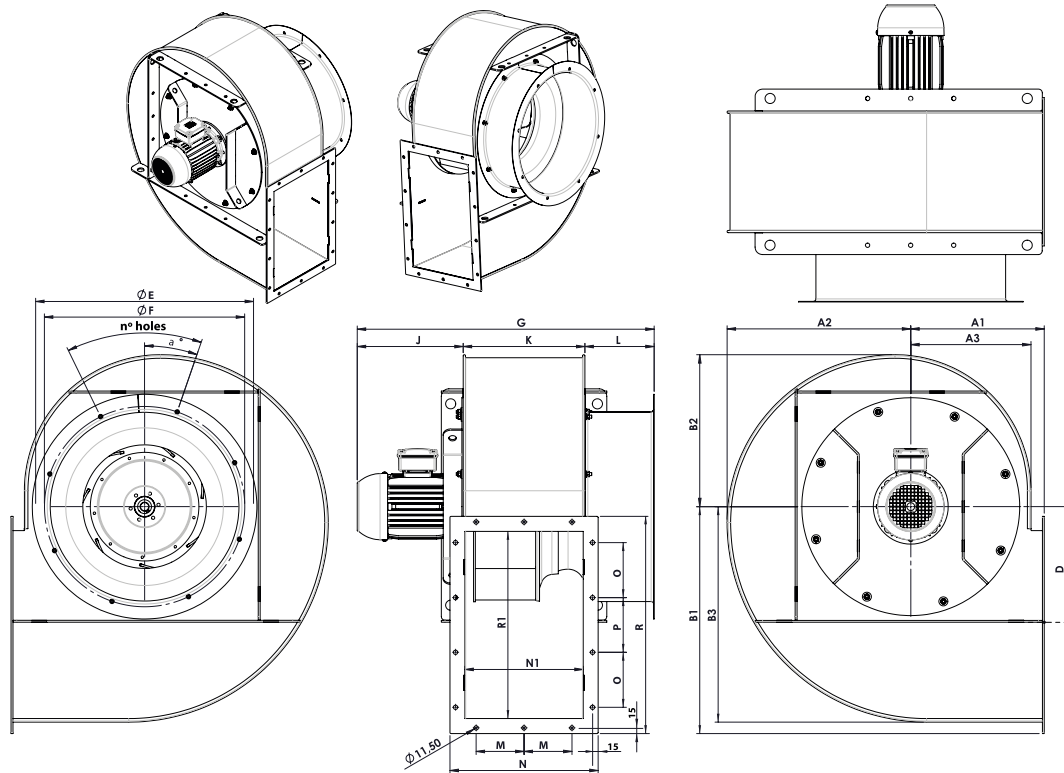
Fan data sheet		
Fan type	Centrifugal fan backward blades with casing	
Installation category	A: Outlet and Inlet free discharge	
Efficiency category	Static	
The fan has to be installed with VF	No	
Motor power (kW)	5.5	
	Fan values	ERP Requirements 2015
Max. efficiency (%)	69.92	57.28
Efficiency grade (N)	73.63	61
Pabs (kW)	4.426	
Flow (m³/h)	6457.17	
Static pressure (Pa)	1692.84	
Speed (m/s)	2910	



Fan values	ERP Requirements 2015
------------	-----------------------

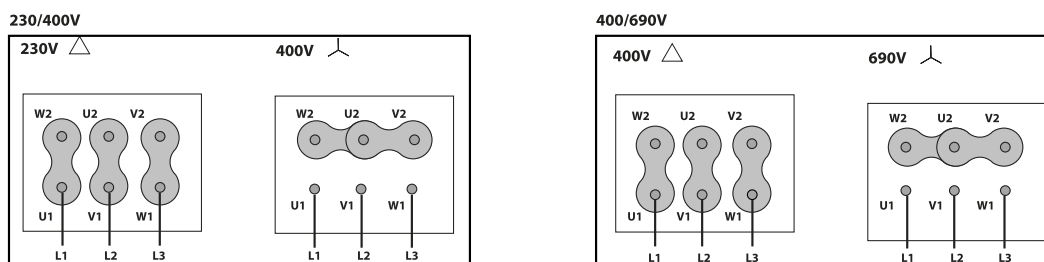
Specific ratio	1.02
----------------	------

DIMENSIONS



Dimensions (mm)									
A1	294.3	A2	394.6	A3	258.8	B1	493	B2	326.7
B3	462.5	D	253	E	464	F	438	G	758.6
J	314.6	K	290	L	185	M	121	N	361
N1	281	O	120	P	120	R	480	R1	400
a°	22,5°	n°holes	8x45°						

WIRING DIAGRAM



ACCESSORIES



SAFETY SWITCH
INT 25 3P A
REF: INT253PA



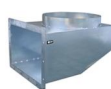
CONNECTION FLANGE
AC 400
REF: 960003212



ANTI-VIBRATION JOINT
JE 45
REF: 300719201



CIRCULAR-CIRCULAR ANTI-VIBRATION FLANGE FOR STORM
BADS 400
REF: BADS-4040



OUTLET BEND FOR STORM FANS
CPS 400x281-400
REF: CPS-4028140



FREQUENCY SPEED CONTROLLER
SFC 400 III 12A *
REF: SFC400III12



ANTI-VIBRATION SPRING BLOCK
AVS (GENERIC)



INLET PROTECTION GUARD FOR CENTRIFUGAL FANS
RA 40/16
REF: 253511901



ANTI-VIBRATING FLANGE 400^ø/2H
BA-400 40
REF: 960002054



OUTLET FLANGE FOR STORM MODELS
EIS 400x281-400
REF: EIS-4028140



OUTLET PROTECTION GUARD FOR STORM FANS
RIS 400x281
REF: RIS-40281E2



RECTANGULAR-RECTANGULAR ANTI-VIBRATION FLANGE FOR STORM
BIDS 281x400-200
REF: BIDS-40281



ANTI-VIBRATION RUBBER BLOCK
AVR (GENERIC)



ACOUSTIC CABINS FOR CENTRIFUGAL FANS
AB (GENERIC)

SPARE PARTS

	Code	Model	Qty
1	R-BAD-N40	INLET CONE 400	x1
2	721001134	MOTOR 0,37kW T4 B5 230/400V	x1
3	721001073	MOTOR 5,5kW T2 B5 400/690V	x1